

PARTS CATALOGUE

MM700H (8ED4) U.S.A., CANADA, EUROPE

2B8ED-100E1

YAMAHA
GENUINE
Parts & Accessories

MM700H
PARTS CATALOGUE
©2002 by Yamaha Motor Co., Ltd.
1st Edition, May 2002
All rights reserved.
Any reprinting or unauthorized use
without the written permission of
Yamaha Motor Co., Ltd.
is expressly prohibited.

A3



A4

FOREWORD

This Parts Catalogue is related to the parts for the model(s) in the below frame. When you are ordering replacement parts, please refer to this Parts Catalogue and quote both part numbers and part names correctly.

MM700H(8ED4)

1. Modifications or additions which have been made after issue of the Parts Catalogue will be announced in the Yamaha Parts News.
It is advisable that you make necessary corrections to the Parts Catalogue according to the Yamaha Parts News.

2. Abbreviations

The following abbreviations are used in this Parts Catalogue.

“UR” Use specified parts number.

“UN” Use as many as needed.

“AP” Alternate Parts

“LM” Local Made (Parts need to be ordered locally)

“F#” Frame No. (Applicable machine No.)

3. Parts, which are to be supplied in an assembly, are listed with a dot(.) in front of the part name as shown below.

EXAMPLE

CARBURETOR ASSY

.JET, PILOT

.NOZZLE, MAIN

4. Number of component for assembly

The numeral appearing to the right of each component part indicates the quantity of parts for each assembly unit.

EXAMPLE

PART NO.	DESCRIPTION	Q'TY	REMARKS
2F5-83310-60	FRONT FLASHER LIGHT ASSY	2	
115-83311-60	.BULB (6V-18W)	1	

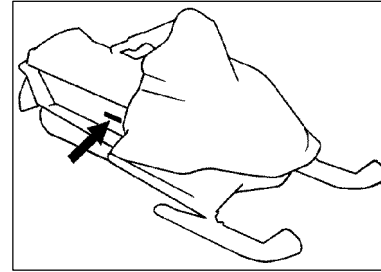
5. Applicable colors of graphics are represented in the “REMARKS” as shown below.

PART NO.	DESCRIPTION	Q'TY	REMARKS
2F5-83310-60	FRONT FLASHER LIGHT ASSY	2	
115-83311-60	.BULB (6V-18W)	1	

6. Applicable Starting Serial No. and Color Code

Starting Serial NO.: JYE8ED00X3A017506

Frame Serial No.

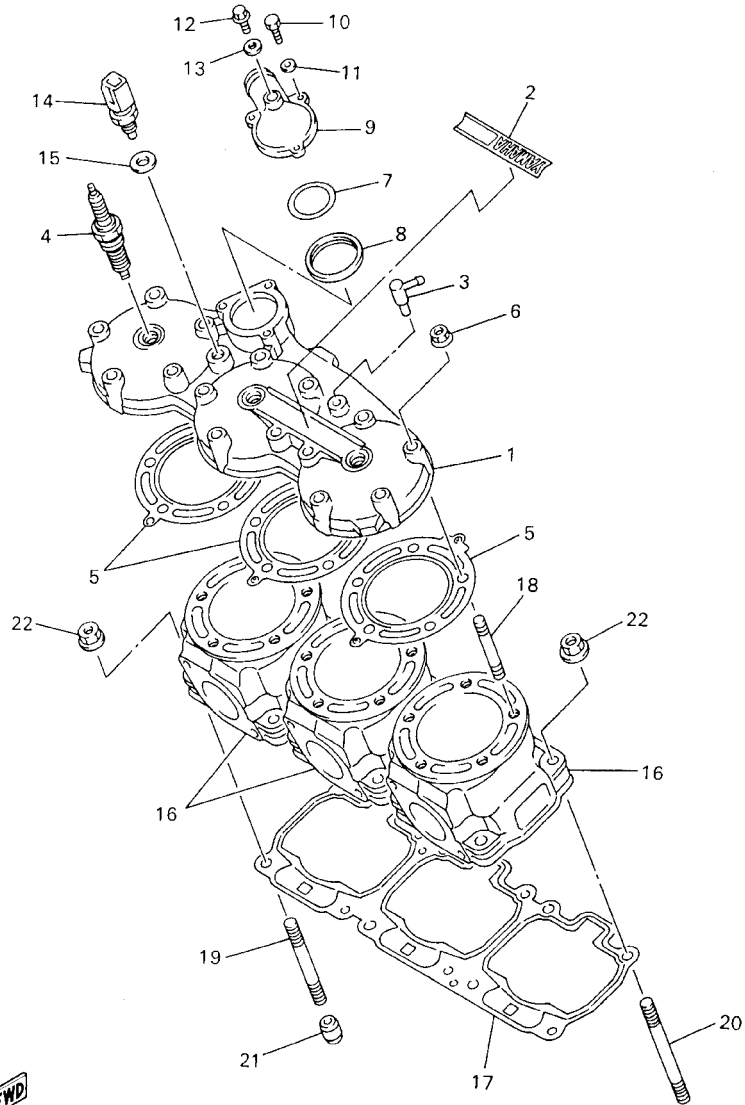


Color Code	MODEL	Color Name	Abbreviation	Country (destination)
0778	8ED4	DARK VIOLET METALLIC A	DVMA	USA, CAN, EUR

7. Note that the illustration for reference in funding parts numbers, not to be used for assembling. When assembling, pleas use the applicable service manual.

8. The asterisk (*) before a reference number indicates modification items after the first edition.

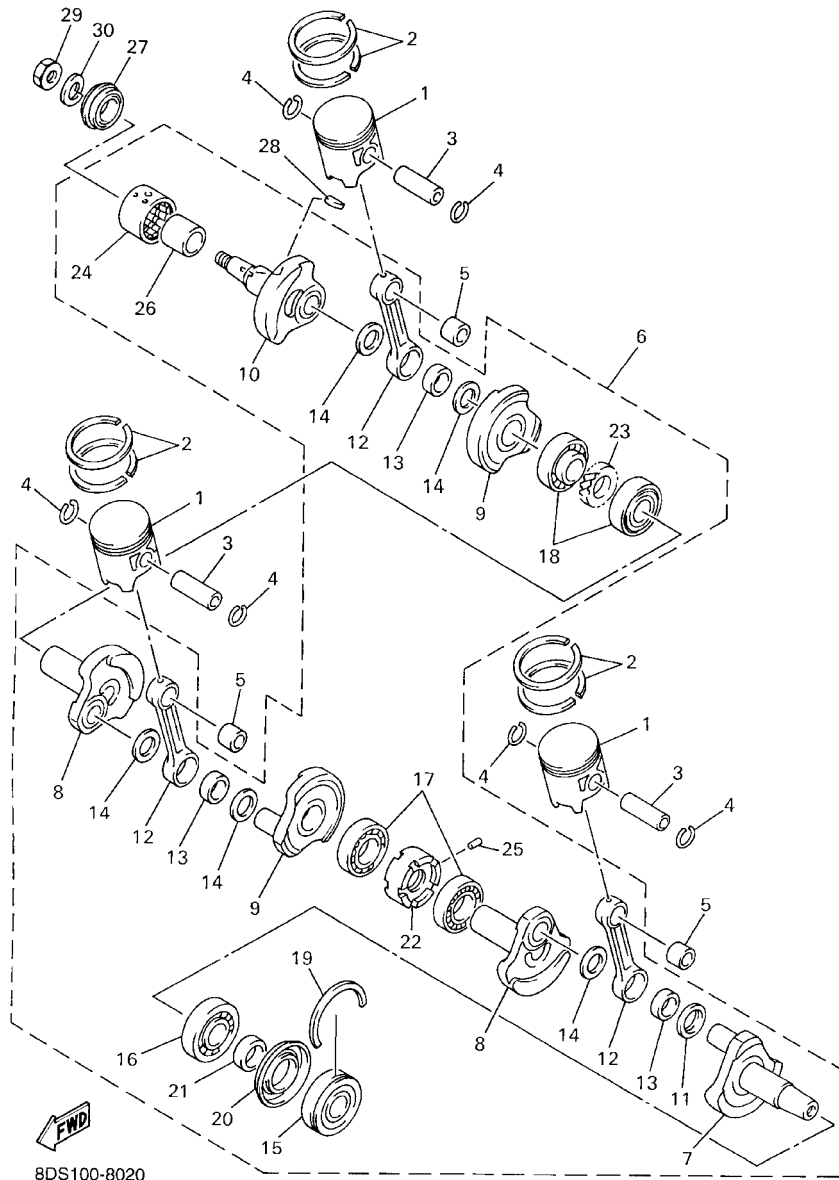
FIG. 1 CYLINDER HEAD



8ED1100-0010

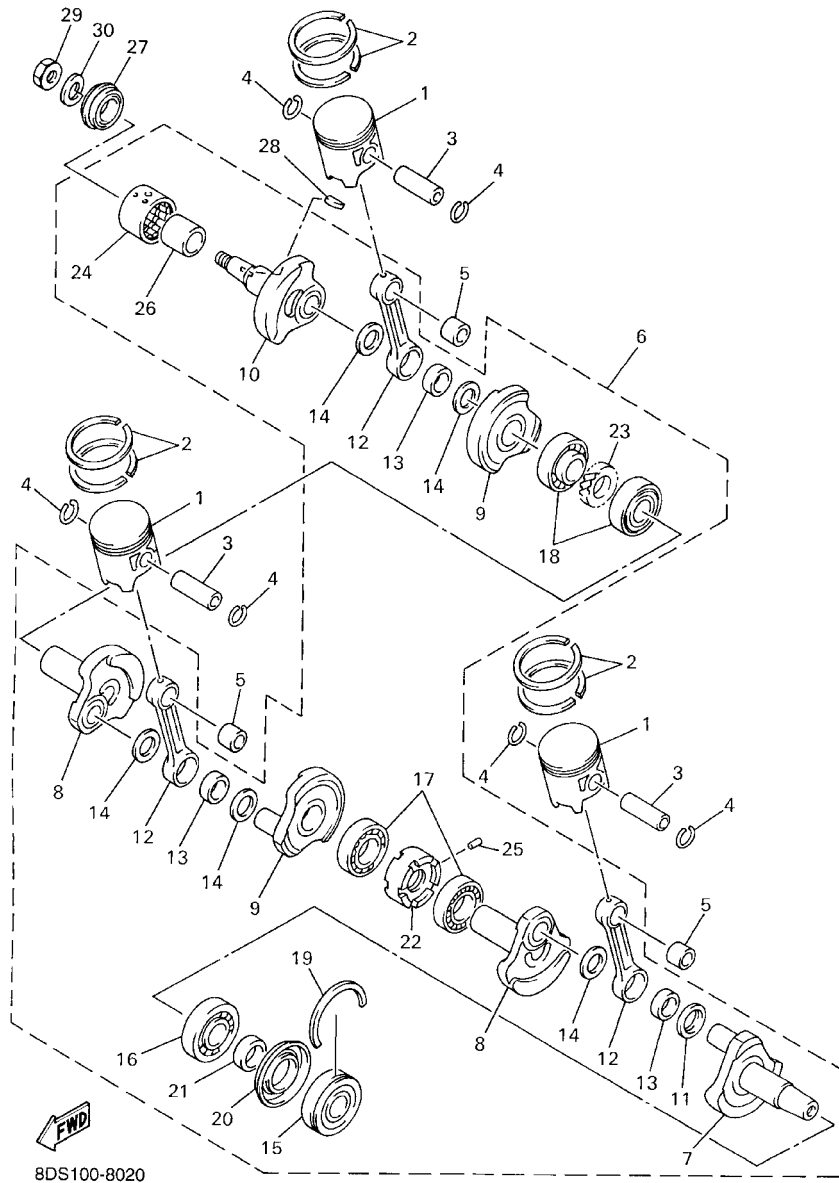
REF. NO.	PART NO.	DESCRIPTION	USA	CAN	EUR	REMARKS
1	8CH-11111-10	HEAD, CYLINDER 1	1	1	1	
2	8CH-1111K-00	EMBLEM	1	1	1	
3	8CH-12469-00	JOINT 1	1	1	1	
4	94702-00188	PLUG, SPARK (NGK BR9ES)	3	3	3	
5	8CH-11181-01	GASKET, CYLINDER HEAD 1	3	3	3	
6	90179-08299	NUT	15	15	15	
7	90201-345G2	WASHER, PLATE	1	1	1	
8	8A7-12412-01	SEAL, THERMOSTAT	1	1	1	
9	82M-12413-00	COVER, THERMOSTAT	1	1	1	
10	97027-06020	BOLT	3	3	3	
11	92907-06600	WASHER, PLATE	3	3	3	
12	95807-06012	BOLT, FLANGE	1	1	1	
13	90430-06166	GASKET	1	1	1	
14	8CC-85790-01	THERMOSENSOR ASSY	1	1	1	
15	90201-12790	WASHER, PLATE	1	1	1	
16	8CH-11311-01	CYLINDER 1	3	3	3	
17	8CH-11351-00	GASKET, CYLINDER	1	1	1	
18	90116-08392	BOLT, STUD	15	15	15	
19	90116-08104	BOLT, STUD	6	6	6	
20	90116-08302	BOLT, STUD	6	6	6	
21	99530-10114	PIN, DOWEL	6	6	6	
22	90179-08299	NUT	12	12	12	

FIG. 2 CRANKSHAFT. PISTON



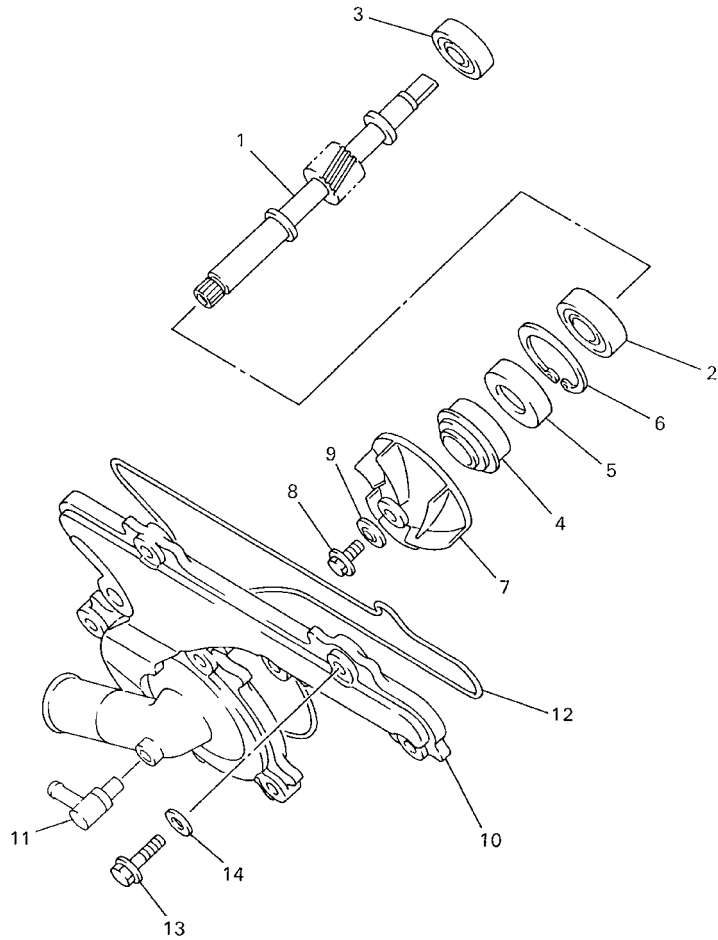
REF. NO.	PART NO.	DESCRIPTION	USA	CAN	EUR	REMARKS
1	8CH-11631-00-A0	PISTON (STD)	3	3	3	
2	8CH-11603-00	PISTON RING SET (STD)	3	3	3	
3	8H8-11633-00	PIN, PISTON	3	3	3	
4	93450-21053	CIRCLIP	6	6	6	
5	93310-320S0	BEARING	3	3	3	
6	8CH-11400-11	CRANKSHAFT ASSY	1	1	1	
7	8CH-11412-00	.CRANK 1	1	1	1	
8	8CH-11422-00	.CRANK 2	2	2	2	
9	8CH-11432-00	.CRANK 3	2	2	2	
10	8CH-11442-00	.CRANK 4	1	1	1	
11	8CH-11685-00	.WASHER, CRANK PIN	1	1	1	
12	8CH-11651-00	.ROD, CONNECTING	3	3	3	
13	93310-527S9	.BEARING	3	3	3	
14	90201-272U2	.WASHER, PLATE	5	5	5	
15	93306-30715	.BEARING	1	1	1	
16	93306-30716	.BEARING	1	1	1	
17	93306-28201	.BEARING	2	2	2	
18	93306-28202	.BEARING	2	2	2	
19	93440-80023	.CIRCLIP	1	1	1	
20	93103-45179	.OIL SEAL	1	1	1	
21	8CH-11478-00	.COLLAR	1	1	1	
22	8CH-11515-00	.SEAL, LABYRINTH 1	1	1	1	
23	8CH-11434-00	.GEAR, CRANK SHAFT	1	1	1	
24	93390-00023	.BEARING	1	1	1	
25	91609-30010	.PIN, SPRING	1	1	1	
26	8DF-1142A-01	.BEARING	1	1	1	
27	93103-32153	OIL SEAL	1	1	1	

FIG. 2 CRANKSHAFT. PISTON



REF. NO.	PART NO.	DESCRIPTION	USA	CAN	EUR				REMARKS
28	90280-05033	KEY, WOODRUFF	1	1	1				
29	90170-16425	NUT	1	1	1				
30	92907-16600	WASHER	1	1	1				

FIG. 3 WATER PUMP

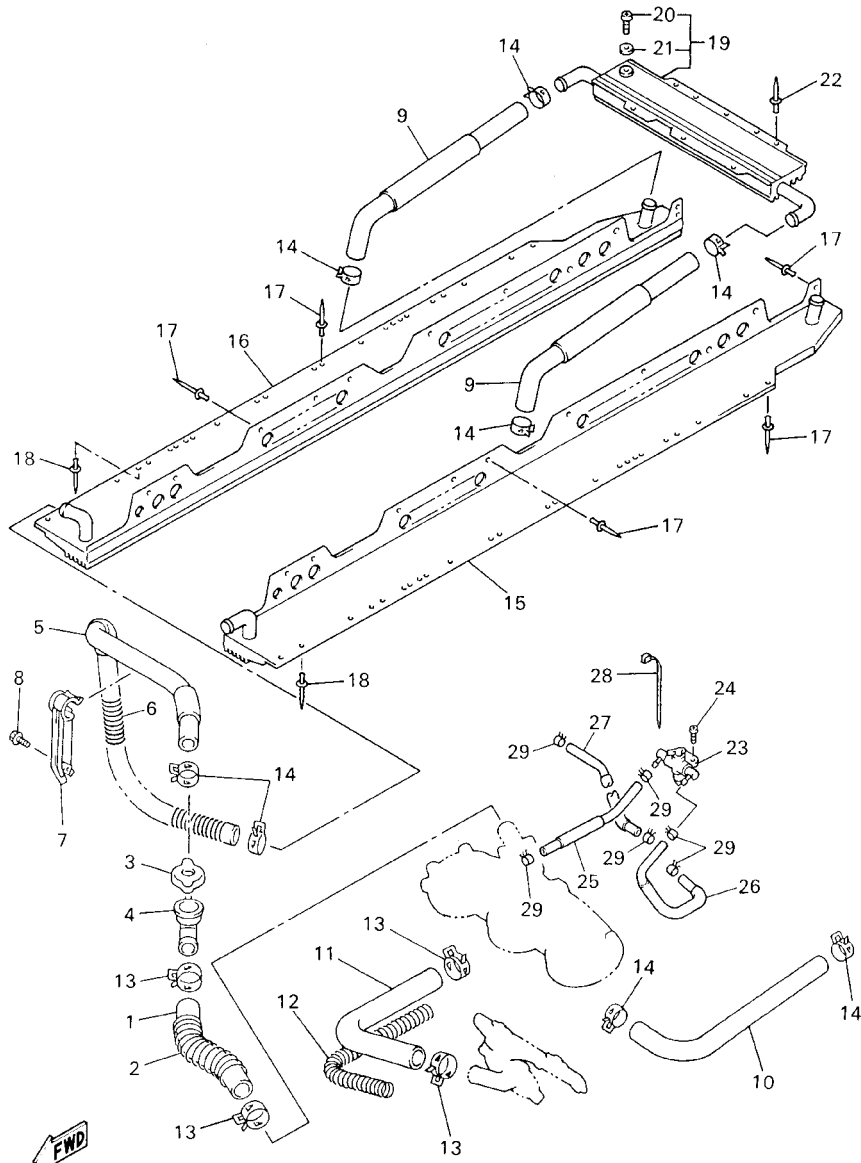


REF. NO.	PART NO.	DESCRIPTION	USA	CAN	EUR	REMARKS
1	8CH-12459-01	GEAR, IMPELLER SHAFT	1	1	1	
2	93306-00106	BEARING	1	1	1	
3	93306-00004	BEARING	1	1	1	
4	11H-12438-00	SEAL, MECHANICAL	1	1	1	
5	93102-12461	OIL SEAL	1	1	1	
6	99009-28500	CIRCLIP	1	1	1	
7	8CH-12451-02	IMPELLER, WATER PUMP	1	1	1	
8	95827-06012	BOLT, FLANGE	1	1	1	
9	90210-06001	WASHER, SEAL	1	1	1	
10	8CH-12422-10	COVER, HOUSING	1	1	1	
11	8CH-12469-00	JOINT 1	1	1	1	
12	8CH-12439-00	O-RING	1	1	1	
13	95817-06020	BOLT, FLANGE	8	8	8	
14	90430-06166	GASKET	1	1	1	



8DS100-8030

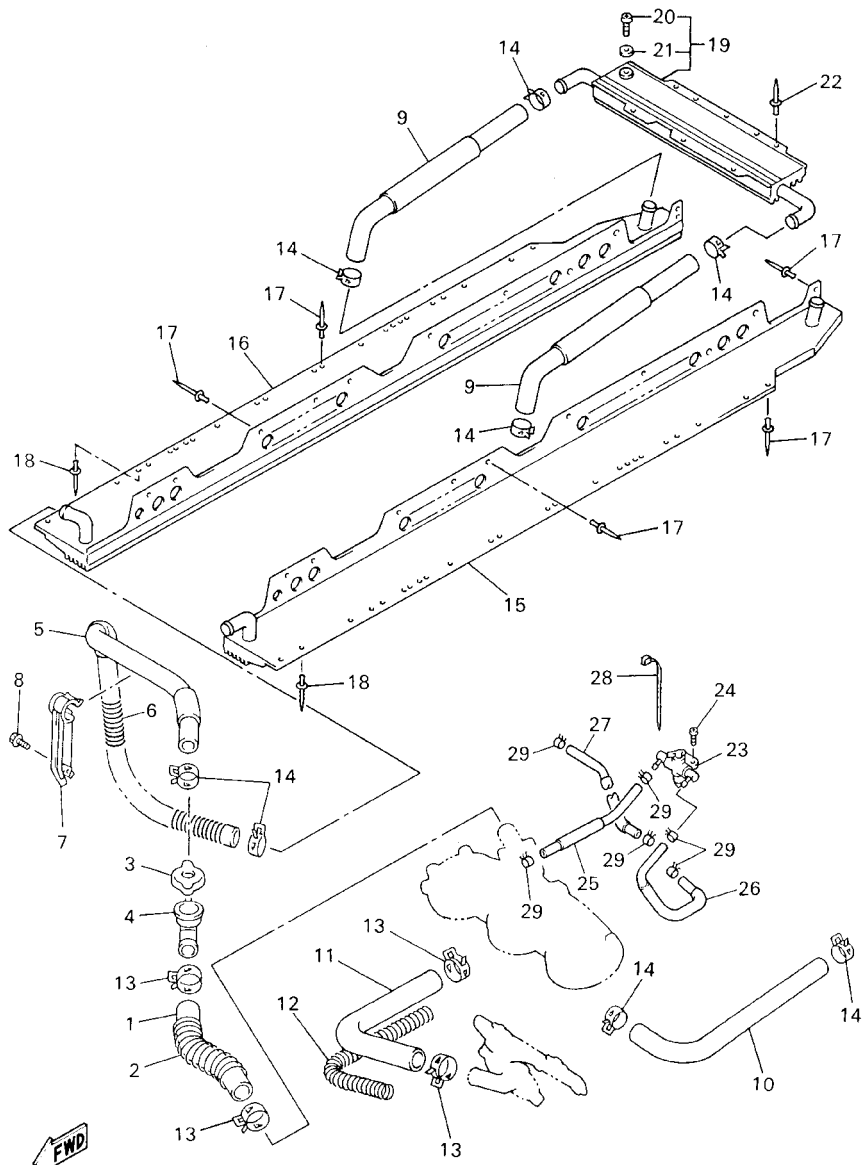
FIG. 4 RADIATOR. HOSE



8ED1100-0040

REF. NO.	PART NO.	DESCRIPTION	USA	CAN	EUR	REMARKS
1	8CH-12482-00	PIPE 2	1	1	1	
2	90501-100K8	SPRING, COMPRESSION	1	1	1	
3	22W-12462-00	CAP, RADIATOR	1	1	1	
4	8CR-12591-00	SUPT, FILLER NECK	1	1	1	
5	8CH-12483-10	PIPE 3	1	1	1	
6	90501-14002	SPRING, COMPRESSION	1	1	1	
7	8CR-12491-00	CLAMP 1	1	1	1	
8	95807-06014	BOLT, FLANGE	1	1	1	
9	8ED-12484-00	PIPE 4	2	2	2	
10	8CR-12485-00	PIPE 5	1	1	1	
11	8CH-12476-10	PIPE 6	1	1	1	
12	90501-12003	SPRING, COMPRESSION	1	1	1	
13	90467-28046	CLIP	4	4	4	
14	90467-23067	CLIP	8	8	8	
15	8ED-1240E-00	HEAT EXCHANGER	1	1	1	
16	8ED-1240F-00	HEAT EXCHANGER	1	1	1	
17	90267-47186	RIVET, BLIND	8	8	8	
18	90267-47195	RIVET, BLIND	32	32	32	
19	8ED-1241A-00	HEAT EXCHANGER ASSY 4	1	1	1	
20	90210-06006	WASHER, SEAL	1	1	1	
21	98507-06008	SCREW	1	1	1	
22	90267-47195	RIVET, BLIND	8	8	8	
23	8CH-1249A-03	COCK ASSY	1	1	1	
24	98907-06020	SCREW, BIND	2	2	2	
25	8CH-1243A-01	HOSE 1	1	1	1	
26	8CH-1243E-10	HOSE 2	1	1	1	
27	8CH-1243F-01	HOSE,3	1	1	1	

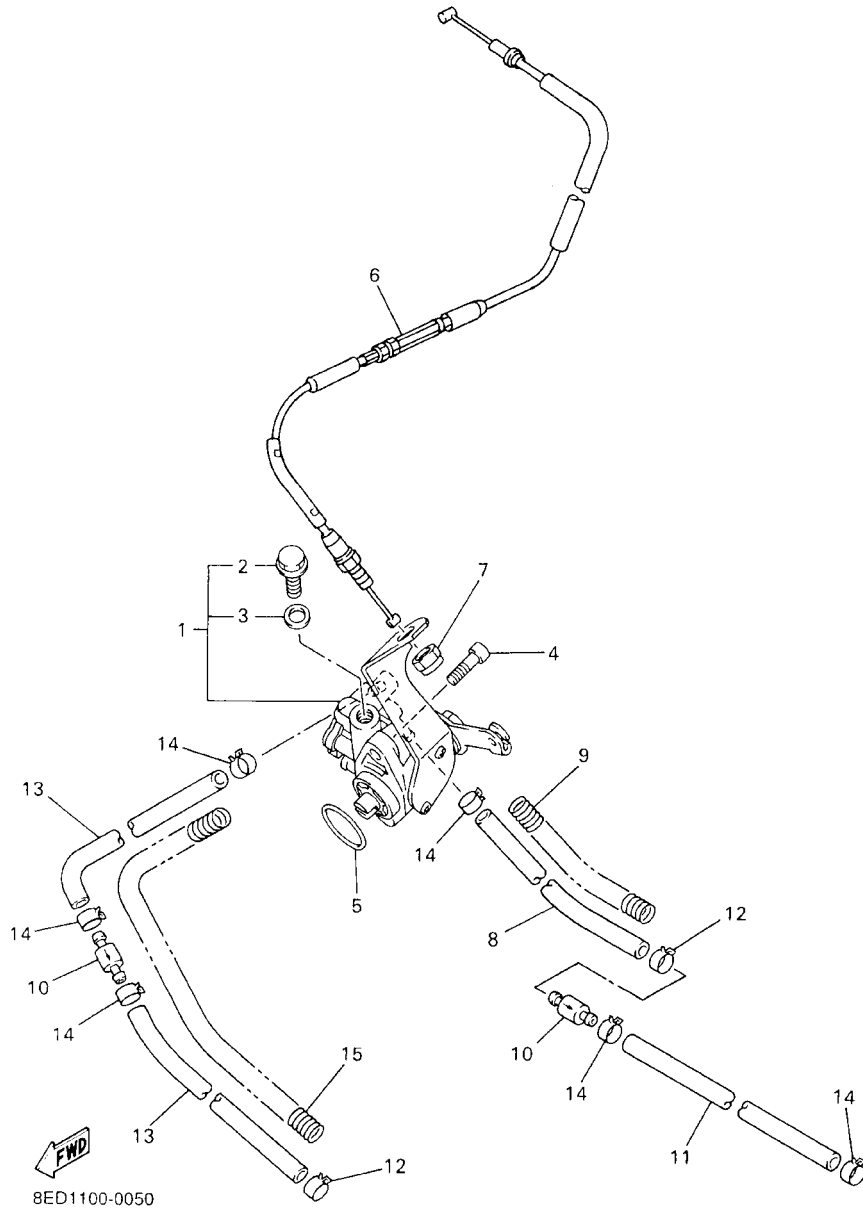
FIG. 4 RADIATOR. HOSE



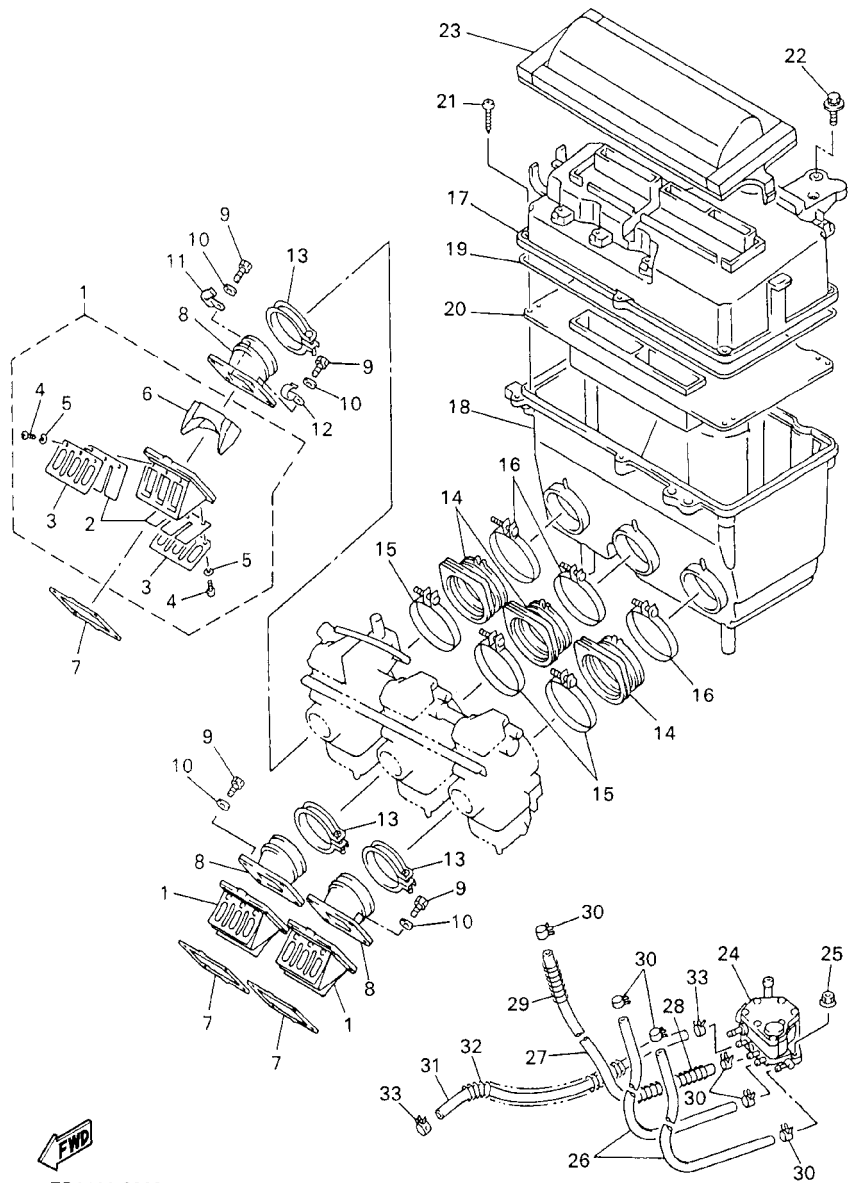
8ED1100-0040

REF. NO.	PART NO.	DESCRIPTION	USA	CAN	EUR	REMARKS
28	90464-12045	CLAMP	1	1	1	
29	90467-11028	CLIP	6	6	6	

FIG. 5 OIL PUMP



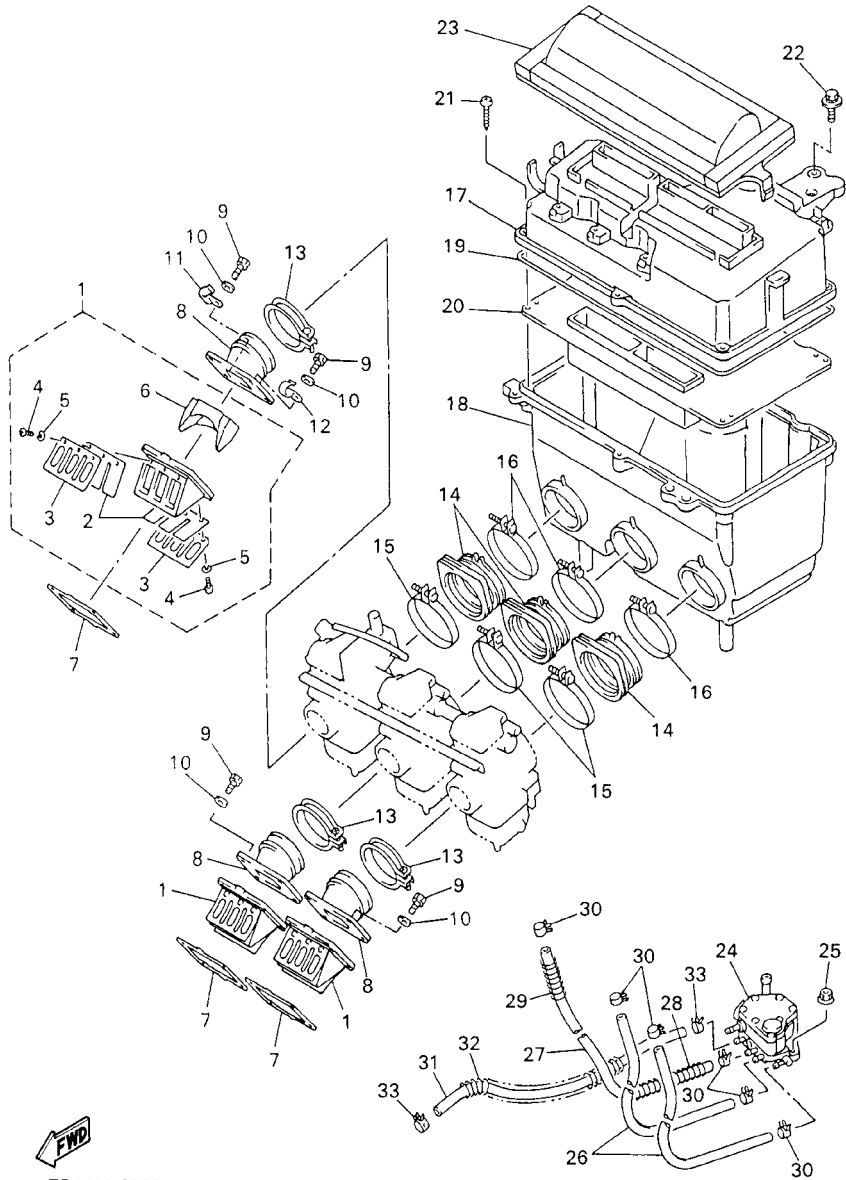
REF. NO.	PART NO.	DESCRIPTION	USA	CAN	EUR	REMARKS
1	8CH-13100-00	OIL PUMP ASSY	1	1	1	
2	89A-13185-00	.BOLT, BREATHER	1	1	1	
3	89A-13187-00	.GASKET, BREATHER BOLT	1	1	1	
4	90110-05227	BOLT, HEXAGON SOCKET HEAD	2	2	2	
5	93210-191A1	O-RING	1	1	1	
6	8ED-26320-00	PUMP CABLE ASSY	1	1	1	
7	95707-08300	NUT, FLANGE	1	1	1	
8	91A30-03020	TUBE, FLEXIBLE VINYL	1	1	1	
9	90501-08430	SPRING, COMPRESSION	1	1	1	
10	8CH-1316A-00	CHECK VALVE ASSY	2	2	2	
11	91A30-03014	TUBE, FLEXIBLE VINYL	1	1	1	
12	90467-07055	CLIP	2	2	2	
13	91A30-03008	TUBE, FLEXIBLE VINYL	2	2	2	
14	90468-02025	CLIP	6	6	6	
15	90501-08486	SPRING, COMPRESSION	1	1	1	



8ED3100-2060

FIG. 6 INTAKE

REF. NO.	PART NO.	DESCRIPTION	USA	CAN	EUR	REMARKS
1	4DA-13610-00	REED VALVE ASSY	3	3	3	
2	3SP-13613-00	.REED, VALVE	2	2	2	
3	4DA-13616-00	.STOPPER, REED VALVE	2	2	2	
4	98507-03008	.SCREW	6	6	6	
5	92907-03100	.WASHER, SPRING	6	6	6	
6	4DA-13625-00	.SPACER, REED VALVE	1	1	1	
7	8CH-13621-01	GASKET, VALVE SEAT	3	3	3	
8	8CH-13555-00	MANIFOLD, INTAKE	3	3	3	
9	97017-06025	BOLT	12	12	12	
10	92907-06600	WASHER, PLATE	12	12	12	
11	90462-08239	CLAMP	1	1	1	
12	90462-08246	CLAMP	1	1	1	
13	90460-56073	CLAMP, HOSE	3	3	3	
14	8CH-14453-00	JOINT, AIR CLEANER 1	3	3	3	
15	90450-53061	HOSE CLAMP ASSY	3	3	3	
16	90460-68230	CLAMP, HOSE	3	3	3	
17	8CH-14431-10	SILENCER, INTAKE 1	1	1	1	
18	8CH-14441-01	SILENCER, INTAKE 2	1	1	1	
19	8CH-14452-00	SEAL	1	1	1	
20	8CH-14477-00	PLATE	1	1	1	
21	90167-05043	SCREW, TAPPING	7	7	7	
22	90119-06182	BOLT, WITH WASHER	1	1	1	
23	8CH-14450-00	ELEMENT ASSY, AIR CLEANER	1	1	1	
24	8CH-24410-00	FUEL PUMP ASSY	1	1	1	
25	95707-06500	NUT, FLANGE	2	2	2	
26	90445-095K1	HOSE (L190)	2	2	2	
27	90445-093J2	HOSE (L340)	1	1	1	

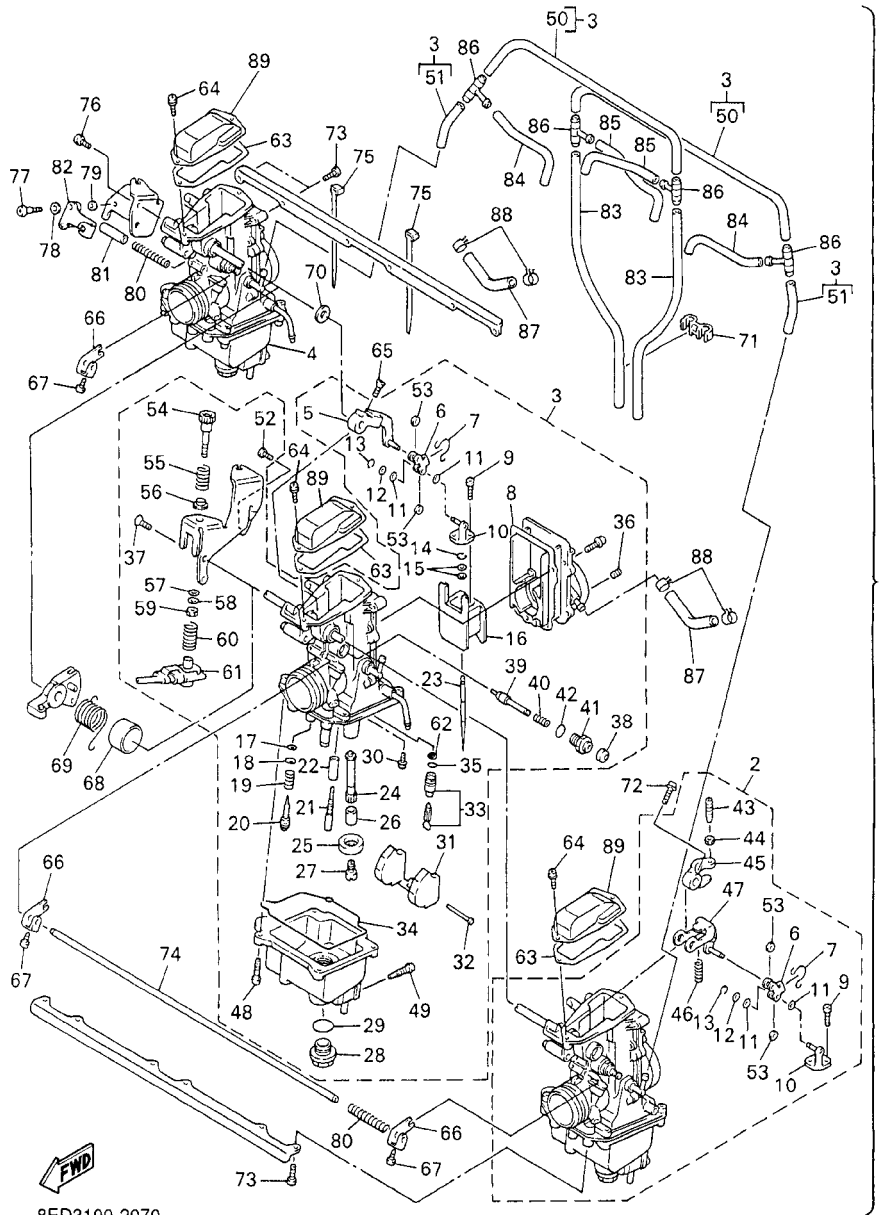


8ED3100-2060

FIG. 6 INTAKE

REF. NO.	PART NO.	DESCRIPTION	USA	CAN	EUR	REMARKS
28	90501-085L6	SPRING, COMPRESSION	1	1	1	
29	90501-086L1	SPRING, COMPRESSION	1	1	1	
30	90467-09026	CLIP	6	6	6	
31	90445-11735	HOSE (L320)	1	1	1	
32	90501-08668	SPRING, COMPRESSION	1	1	1	
33	90467-11032	CLIP	2	2	2	

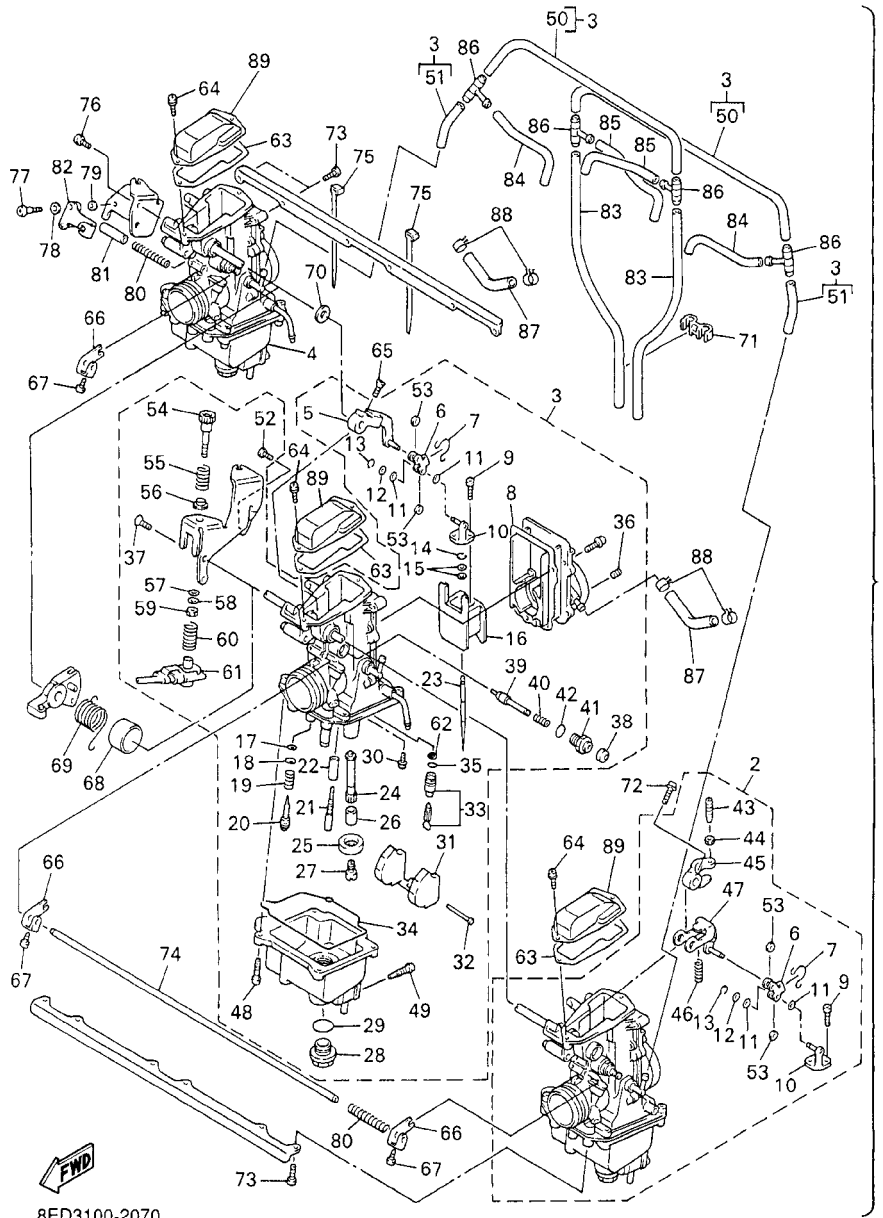
FIG. 7 CARBURETOR



8ED3100-2070

REF. NO.	PART NO.	DESCRIPTION	USA	CAN	EUR	REMARKS
1	8CH-14100-10	CARBURETOR ASSY	1	1	1	
2	8CH-14101-10	..CARBURETOR ASSY 1	1	1	1	
3	8CH-14102-10	..CARBURETOR ASSY 2	1	1	1	
4	8CH-14103-10	..CARBURETOR ASSY 3	1	1	1	
5	89A-14292-00	..LEVER A	1	1	1	(#2)
6	89A-14243-00	..PLATE	1	1	1	
7	89A-14137-00	..CLIP	1	1	1	
8	89A-14199-00	..GASKET	1	1	1	
9	91316-03012	..BOLT	2	2	2	
10	89A-14188-00	..CONNECTOR	1	1	1	
11	3GF-14126-00	..GASKET	2	2	2	
12	620-14198-00	..GASKET	1	1	1	
13	3MA-14937-00	..CLIP	1	1	1	
14	3FA-14137-00	..CLIP	1	1	1	
15	8AB-14227-00	..WASHER (T=0.4MM)	2	2	2	
16	89A-14112-35	..VALVE, THROTTLE 1	1	1	1	
17	3H1-14147-00	..O-RING	1	1	1	
18	3H1-14962-00	..WASHER	1	1	1	
19	5K7-14134-00	..SPRING, AIR ADJUSTING	1	1	1	
20	89A-14565-00	..SCREW, PILOT ADJUSTING	1	1	1	
21	3H1-14142-45	..JET, PILOT (# 45)	1	1	1	STD
	3H1-14142-50	..JET, PILOT (# 50)	1	1	1	AP
	3H1-14142-52	..JET, PILOT (# 52.5)	1	1	1	AP
	3H1-14142-55	..JET, PILOT (# 55)	1	1	1	AP
	3H1-14142-57	..JET, PILOT (# 57.5)	1	1	1	AP
	3H1-14142-60	..JET, PILOT (# 60)	1	1	1	AP
	3H1-14142-62	..JET, PILOT (# 62.5)	1	1	1	AP

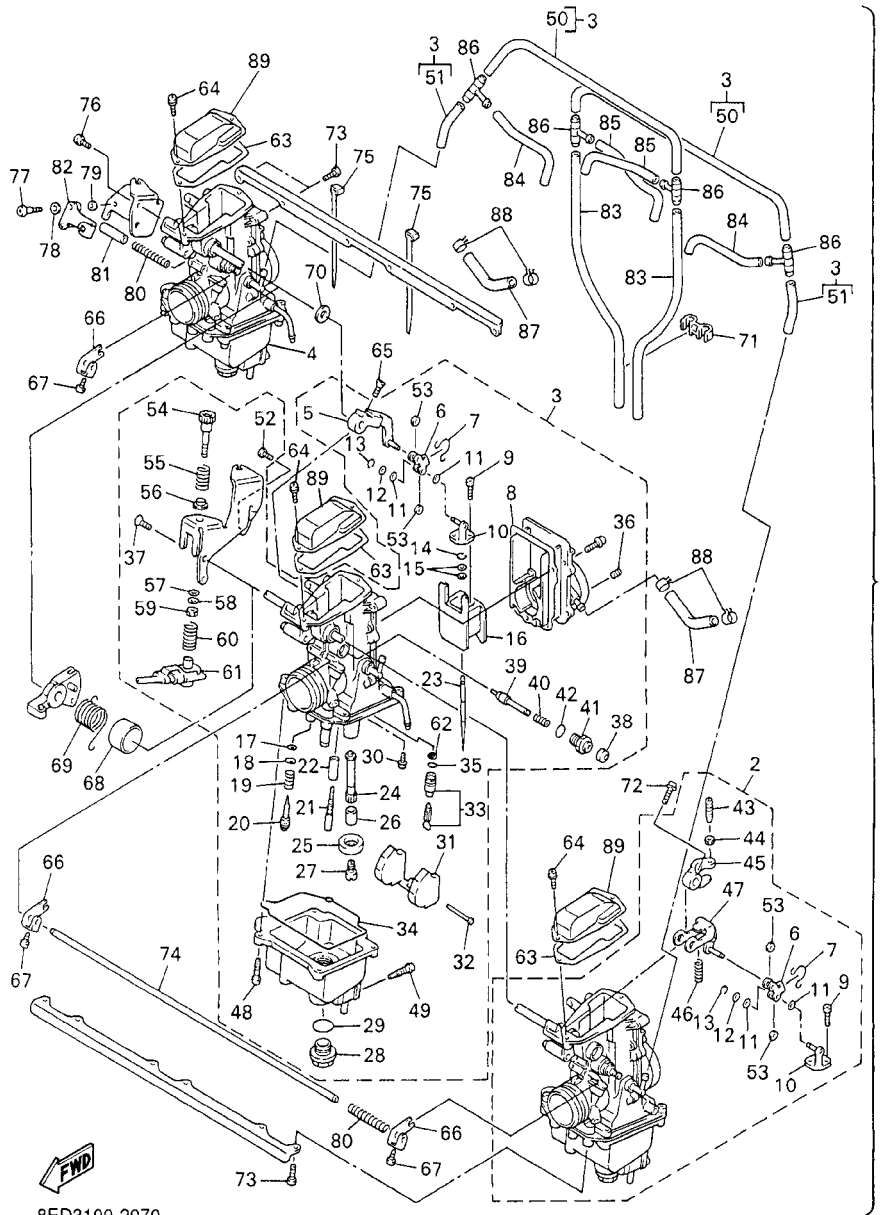
FIG. 7 CARBURETOR



8ED3100-2070

REF. NO.	PART NO.	DESCRIPTION	USA	CAN	EUR	REMARKS
22	89A-14996-00	..PIPE	1	1	1	
23	275-14116-F1	..NEEDLE	1	1	1	
24	8CH-14141-58	..NOZZLE, MAIN	1	1	1	(#1)
	8CH-14141-54	..NOZZLE, MAIN	1	1	1	(#2,3)
25	1LX-14153-00	..WASHER, MAIN JET	1	1	1	
26	89A-14194-00	..RING	1	1	1	
27	3G2-14231-29	..JET, MAIN (#145)	1	1	1	STD(#1)
	3G2-1423E-57	..JET, MAIN (#143.8)	1	1	1	STD(#2,3)
	3G2-1423E-51	..JET, MAIN (#128.8)	1	1	1	AP
	3G2-14231-26	..JET, MAIN (#130)	1	1	1	AP
	3G2-1423E-52	..JET, MAIN (#131.3)	1	1	1	AP
	3G2-1423A-77	..JET, MAIN (#132.5)	1	1	1	AP
	3G2-1423E-53	..JET, MAIN (#133.8)	1	1	1	AP
	3G2-14231-27	..JET, MAIN (#135)	1	1	1	AP
	3G2-1423E-54	..JET, MAIN (#136.3)	1	1	1	AP
	3G2-1423A-78	..JET, MAIN (#137.5)	1	1	1	AP
	3G2-1423E-55	..JET, MAIN (#138.8)	1	1	1	AP
	3G2-14231-28	..JET, MAIN (#140)	1	1	1	AP
	3G2-1423E-56	..JET, MAIN (#141.3)	1	1	1	AP
	3G2-1423A-79	..JET, MAIN (#142.5)	1	1	1	AP
	3G2-1423E-58	..JET, MAIN (#146.3)	1	1	1	AP
	3G2-1423A-80	..JET, MAIN (#147.5)	1	1	1	AP
	3G2-1423E-59	..JET, MAIN (#148.8)	1	1	1	AP
28	500-14115-00	..PLUG, SCREW	1	1	1	
29	558-14147-00	..O-RING	1	1	1	
30	2LN-14565-00	..SCREW	1	1	1	
31	1UY-14185-00	..FLOAT	1	1	1	

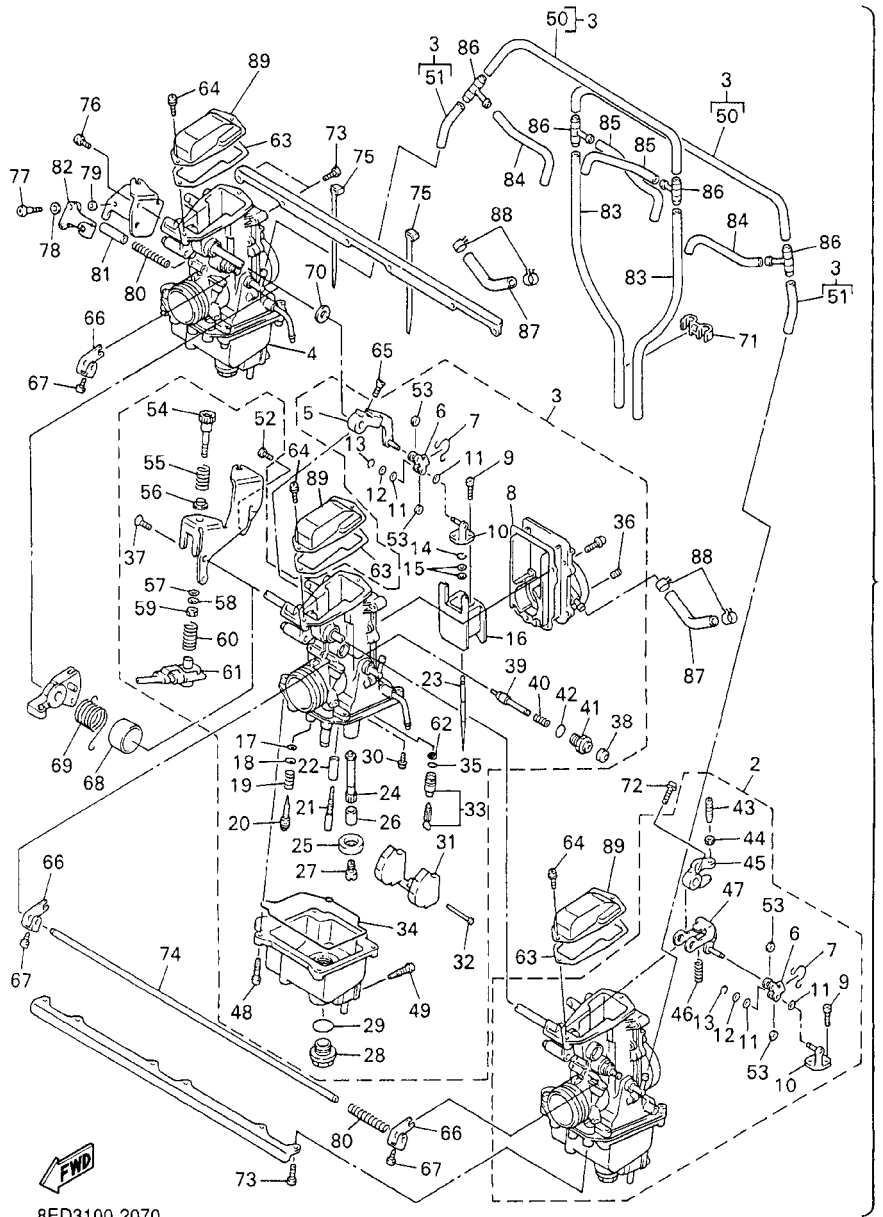
FIG. 7 CARBURETOR



8ED3100-2070

REF. NO.	PART NO.	DESCRIPTION	USA	CAN	EUR	REMARKS
32	537-14186-00	..PIN, FLOAT	1	1	1	
33	1AE-14190-12	..NEEDLE VALVE ASSY	1	1	1	
34	89A-14147-00	..O-RING	1	1	1	
35	8F2-14147-00	..O-RING	1	1	1	
36	239-14172-10	..PILOT JET, AIR (1.0)	1	1	1	
37	98702-05008	..SCREW, FLAT HEAD	1	1	1	(#2)
38	302-14173-00	..COVER, PLUNGER CAP	1	1	1	
39	4G0-14171-00	..PLUNGER, STARTER	1	1	1	
40	1AW-14135-00	..SPRING, PLUNGER	1	1	1	
41	1FN-14174-00	..CAP, PLUNGER	1	1	1	
42	1AE-14147-00	..O-RING	1	1	1	
43	89A-14216-00	..SCREW	1	1	1	(#1,3)
44	95302-05700	..NUT	1	1	1	(#1,3)
45	89A-14276-00	..LEVER	1	1	1	(#1,3)
46	89A-14286-00	..SPRING	1	1	1	(#1,3)
47	89A-14905-00	..LEVER, STARTER	1	1	1	(#1,3)
48	98501-04014	..SCREW, PAN HEAD	4	4	4	
49	12R-14191-00	..PLUG, DRAIN	1	1	1	
50	84M-14197-00	..PIPE	2	2	2	(#1,3)
51	8CH-14348-00	..PIPE 1	2	2	2	(#1,3)
52	98502-04010	..SCREW, PAN HEAD	1	1	1	(#2)
53	3MA-14918-00	..RING	2	2	2	
54	8CC-14122-00	..SCREW, THROTTLE	1	1	1	
55	2J2-14133-00	..SPRING, THROTTLE STOP	1	1	1	
56	89A-14265-00	..COLLAR	1	1	1	
57	22F-14117-00	..WASHER, PLUG SCREW	1	1	1	
58	1UF-14952-00	..WASHER	1	1	1	

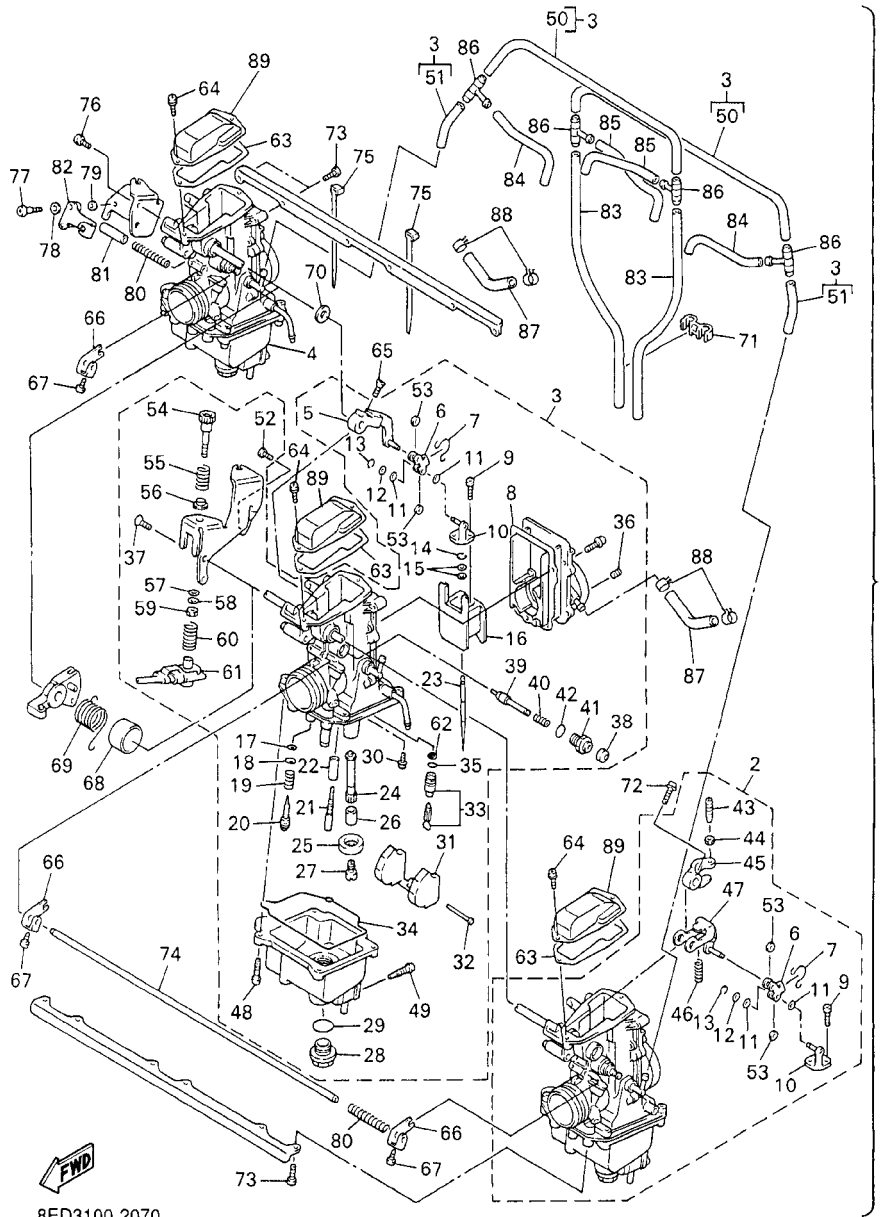
FIG. 7 CARBURETOR



8ED3100-2070

REF. NO.	PART NO.	DESCRIPTION	USA	CAN	EUR	REMARKS
59	89A-14594-00	..NUT	1	1	1	
60	89A-24529-00	..SPRING	1	1	1	
61	87S-8259A-00	..SWITCH, CARBURETOR	1	1	1	
62	1J7-14994-00	..NET, FILTER	1	1	1	
63	89A-14198-00	..GASKET	3	3	3	
64	97606-04110	..SCREW	6	6	6	
65	98702-04014	..SCREW, FLAT HEAD	1	1	1	
66	89A-14208-00	..LEVER COMP. 1	3	3	3	
67	11H-14991-00	..SCREW	3	3	3	
68	89A-14264-00	..COLLAR	1	1	1	(#2)
69	8CH-14589-00	..SPRING	1	1	1	
70	3H1-14227-00	..WASHER	1	1	1	
71	87M-14137-00	..CLIP	1	1	1	
72	97602-04116	..SCREW, PAN HEAD WITH WASHER	2	2	2	(#1,3)
73	98502-05012	..SCREW, PAN HEAD	12	12	12	
74	8CH-14978-00	..SHAFT, STARTER LEVER	1	1	1	
75	35H-14139-00	..CLIP, PIPE	3	3	3	
76	97602-05110	..SCREW, PAN HEAD WITH WASHER	1	1	1	(#3)
77	22F-14115-00	..PLUG, SCREW	1	1	1	(#3)
78	22F-14117-00	..WASHER, PLUG SCREW	1	1	1	(#3)
79	3FV-14962-00	..WASHER	1	1	1	(#3)
80	1AE-14135-00	..SPRING, PLUNGER	2	2	2	
81	89A-14118-00	..CAP	1	1	1	
82	89A-14588-00	..LEVER	1	1	1	
83	8A7-14197-00	..PIPE	2	2	2	
84	8A7-14196-00	..PIPE	2	2	2	
85	8F2-14197-00	..PIPE	2	2	2	

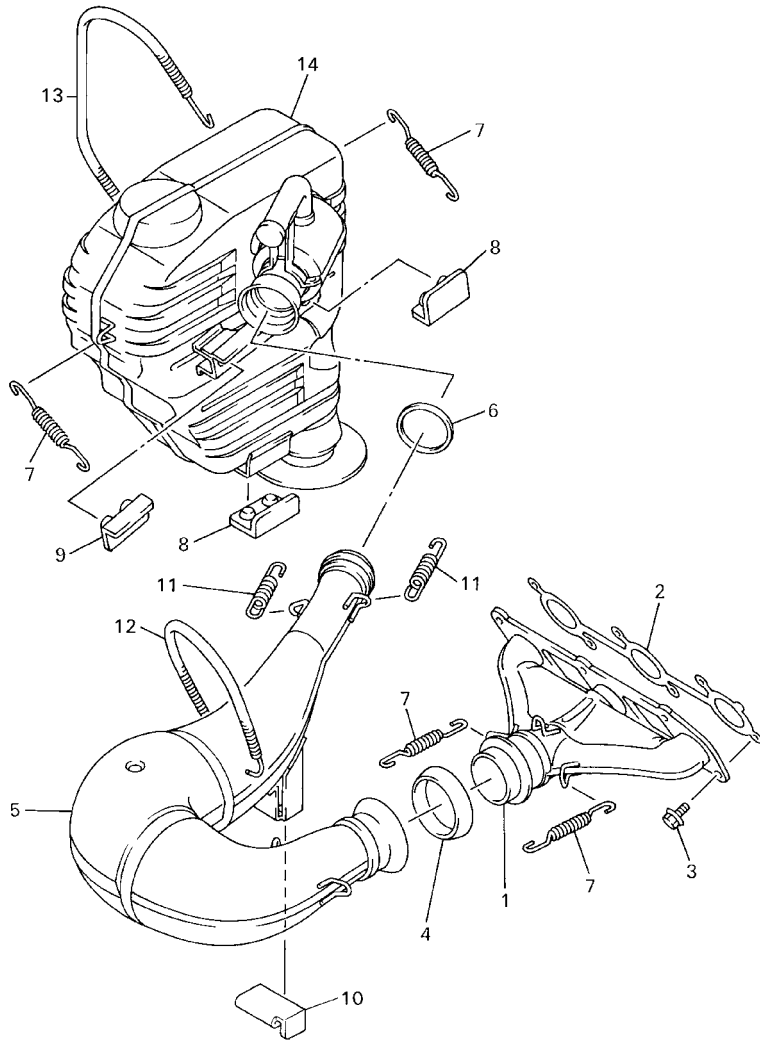
FIG. 7 CARBURETOR



8ED3100-2070

REF. NO.	PART NO.	DESCRIPTION	USA	CAN	EUR	REMARKS
86	4N0-14251-00	.NIPPLE	4	4	4	
87	8CH-14987-10	.HOSE	2	2	2	
88	90467-10035	.CLIP	4	4	4	
89	89A-24452-00	.COVER	3	3	3	

FIG. 8 EXHAUST

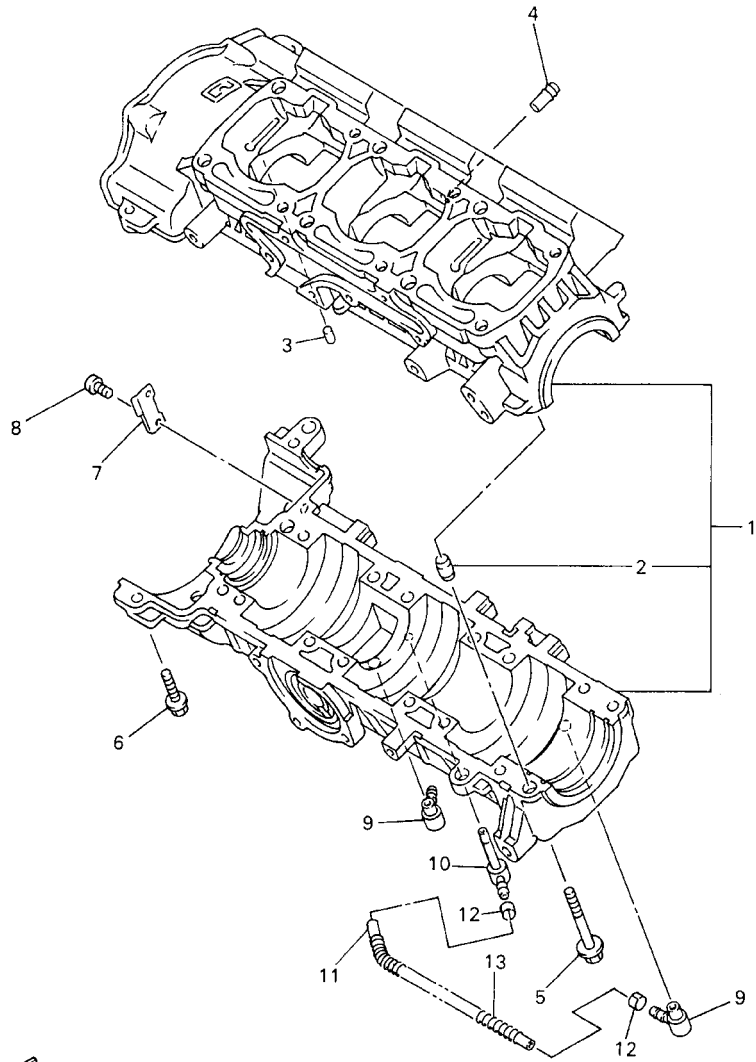


FWD

8DS100-8080

REF. NO.	PART NO.	DESCRIPTION	USA	CAN	EUR	REMARKS
1	8CH-14610-00	EXHAUST PIPE ASSY 1	1	1	1	
2	8CH-14613-01	GASKET, EXHAUST PIPE	1	1	1	
3	95027-08020	BOLT, FLANGE	6	6	6	
4	8CA-14714-00	GASKET, MUFFLER	1	1	1	
5	8CH-14620-10	EXHAUST PIPE ASSY 2	1	1	1	
6	8AB-14714-01	GASKET, MUFFLER	1	1	1	
7	90506-20272	SPRING, TENSION	4	4	4	
8	83R-14728-01	PROTECTOR, MUFFLER 2	2	2	2	
9	8CR-14728-00	PROTECTOR, MUFFLER 2	1	1	1	
10	8CR-14738-00	PROTECTOR, MUFFLER 3	1	1	1	
11	90506-20093	SPRING, TENSION	2	2	2	
12	90506-16497	SPRING, TENSION	1	1	1	
13	90507-16046	SPRING, TENSION	1	1	1	
14	8CH-14640-20	SECOND SILENCER, MUFFLER	1	1	1	

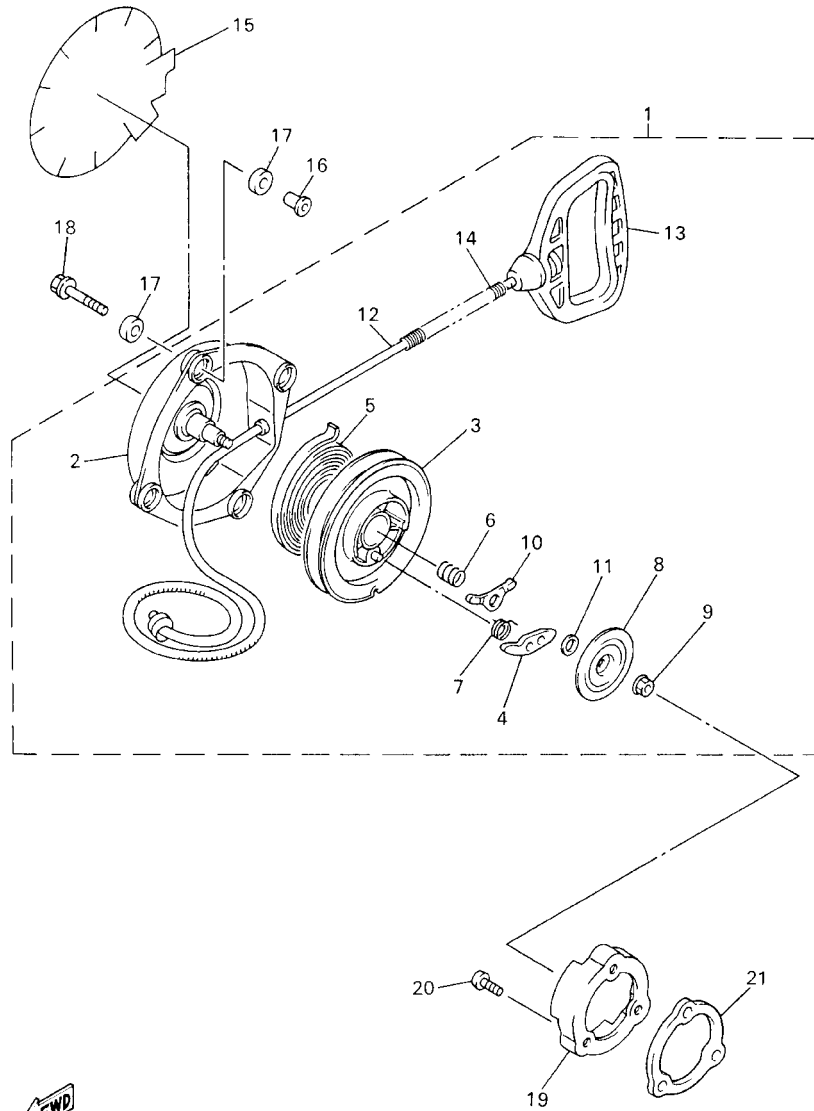
FIG. 9 CRANKCASE



REF. NO.	PART NO.	DESCRIPTION	USA	CAN	EUR	REMARKS
1	8CH-15100-03	CRANKCASE ASSY	1	1	1	
2	99530-12016	.PIN, DOWEL	2	2	2	
3	93605-10108	PIN, DOWEL	1	1	1	
4	J38-11116-00	JOINT, BREATHER	1	1	1	
5	95817-08080	BOLT, FLANGE	16	16	16	
6	95817-08035	BOLT, FLANGE	8	8	8	
7	90461-12145	CLAMP	1	1	1	
8	98507-06012	SCREW	2	2	2	
9	353-13552-01	NOZZLE	2	2	2	
10	8CH-13552-00	NOZZLE	1	1	1	
11	90446-08382	HOSE	1	1	1	
12	90468-02025	CLIP	2	2	2	
13	90501-08486	SPRING, COMPRESSION	1	1	1	

8DS4100-1090

FIG. 10 STARTER

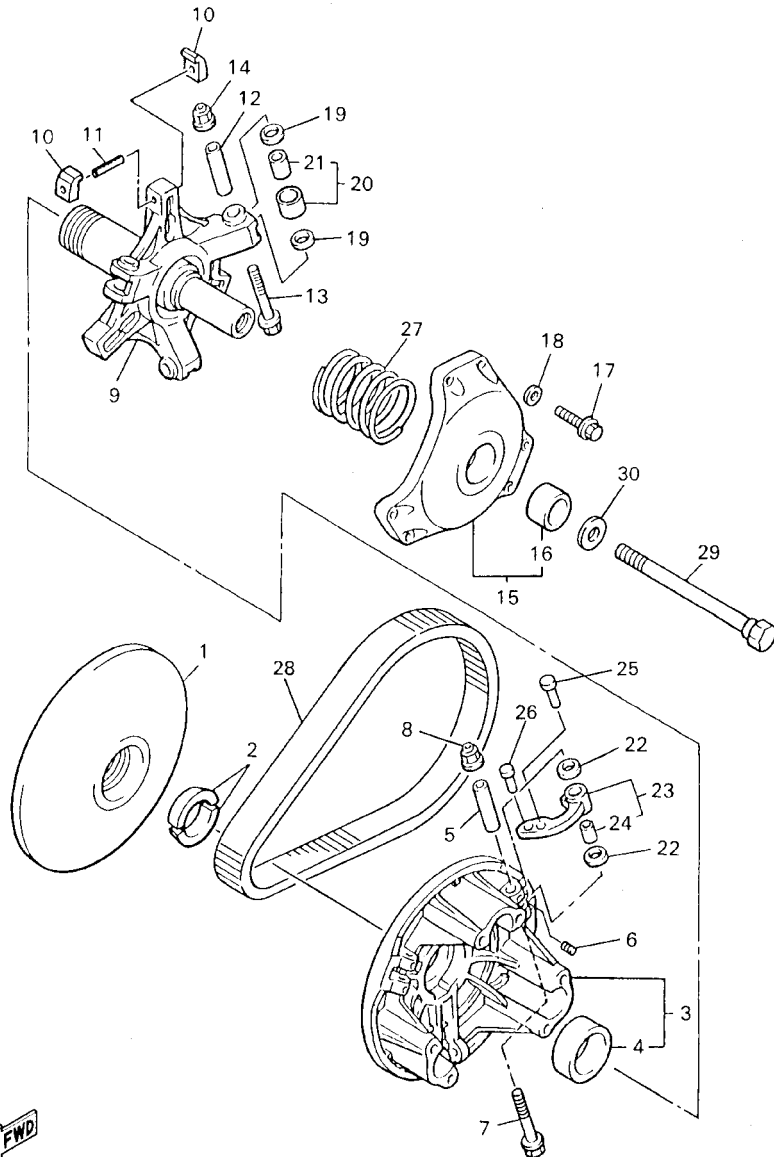


REF. NO.	PART NO.	DESCRIPTION	USA	CAN	EUR	REMARKS
1	8CH-15710-01	STARTER ASSY	1	1	1	
2	8CH-15711-00	.CASE, STARTER	1	1	1	
3	8CH-15714-00	.DRUM, SHEAVE	1	1	1	
4	8CH-15741-00	.PAWL, DRIVE	1	1	1	
5	21V-15713-00	.SPRING, STARTER	1	1	1	
6	8CH-15715-00	.SPRING, FRICTION	1	1	1	
7	8CH-15767-00	.SPRING	1	1	1	
8	8CH-15716-00	.PLATE, DRIVE	1	1	1	
9	95707-06500	.NUT, FLANGE	1	1	1	
10	8CH-15735-00	.GUIDE, CAM	1	1	1	
11	8CH-15739-00	.WASHER, THRUST	1	1	1	
12	8CH-15751-00	.WIRE, STARTER	1	1	1	
13	8F3-15755-00	.HANDLE, STARTER	1	1	1	
14	85L-24327-00	.PROTECTOR, PIPE	1	1	1	
15	8CH-15712-00	COVER, STARTER CASE	1	1	1	
16	90387-0811L	COLLAR	4	4	4	
17	90385-12036	BUSH	8	8	8	
18	90119-08240	BOLT, WITH WASHER	4	4	4	
19	8DF-15723-00	PULLEY, STARTER	1	1	1	
20	92017-08020	BOLT	3	3	3	
21	8DG-15724-00	SPACER	1	1	1	



8ED1100-0100

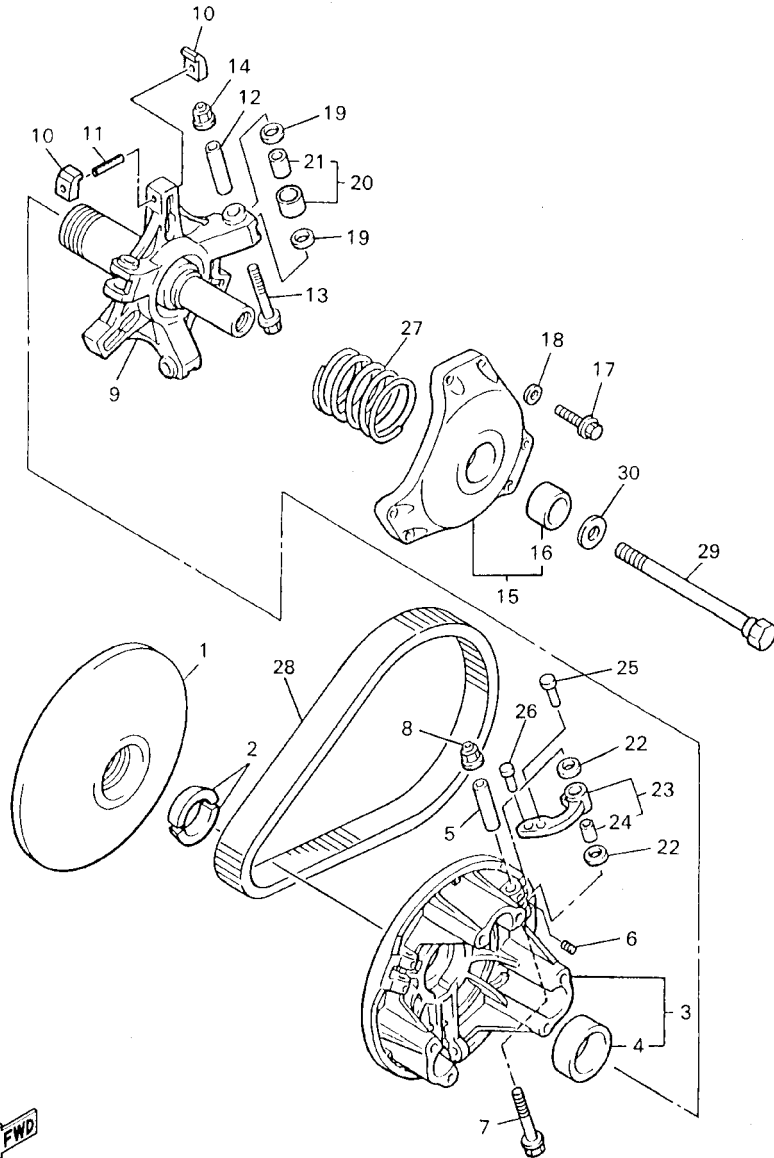
FIG. 11 PRIMARY SHEAVE



8ED1100-0110

REF. NO.	PART NO.	DESCRIPTION	USA	CAN	EUR	REMARKS
1	8CR-17611-01	SHEAVE, PRIMARY FIXED	1	1	1	
2	8V0-17639-00	STOPPER	2	2	2	
3	8BV-17620-11	PRIMARY SLIDING SHEAVE COMP.	1	1	1	
4	90384-41242	.BUSH, BIMETAL FORMED	1	1	1	
5	90387-0514T	COLLAR	3	3	3	
6	90113-05053	BOLT, SET	6	6	6	
7	90105-05644	BOLT, FLANGE	3	3	3	
8	95607-05200	NUT, U FLANGE	3	3	3	
9	8CA-17640-12	SPIDER COMPLETE	1	1	1	
10	8BW-17653-00	SLIDER	6	6	6	
11	91609-50032	PIN, SPRING	3	3	3	
12	90387-0514U	COLLAR	3	3	3	
13	90105-05644	BOLT, FLANGE	3	3	3	
14	95607-05200	NUT, U FLANGE	3	3	3	
15	8DF-17630-00	PRIMARY SHEAVE CAP COMP.	1	1	1	
16	90380-28237	.BUSH, SOLID	1	1	1	
17	97017-06030	BOLT	6	6	6	
18	92907-06600	WASHER, PLATE	6	6	6	
19	90202-09227	WASHER, PLATE	6	6	6	
20	8CR-17624-00	ROLLER, COMP	3	3	3	
21	90380-09245	.BUSH, SOLID	1	1	1	
22	90202-08204	WASHER, PLATE	6	6	6	
23	8CR-17605-10	WEIGHT COMP	3	3	3	
24	90380-08244	.BUSH, SOLID	1	1	1	
25	90261-06028	RIVET, COUNTERSUNK (AL10.3MM)	3	3	3	(IN)
26	90261-06028	RIVET, COUNTERSUNK (AL10.3MM)	3	3	3	(OUT)
27	90501-603L2	SPRING, COMPRESSION	1	1	1	(Y-WH-Y)

FIG. 11 PRIMARY SHEAVE

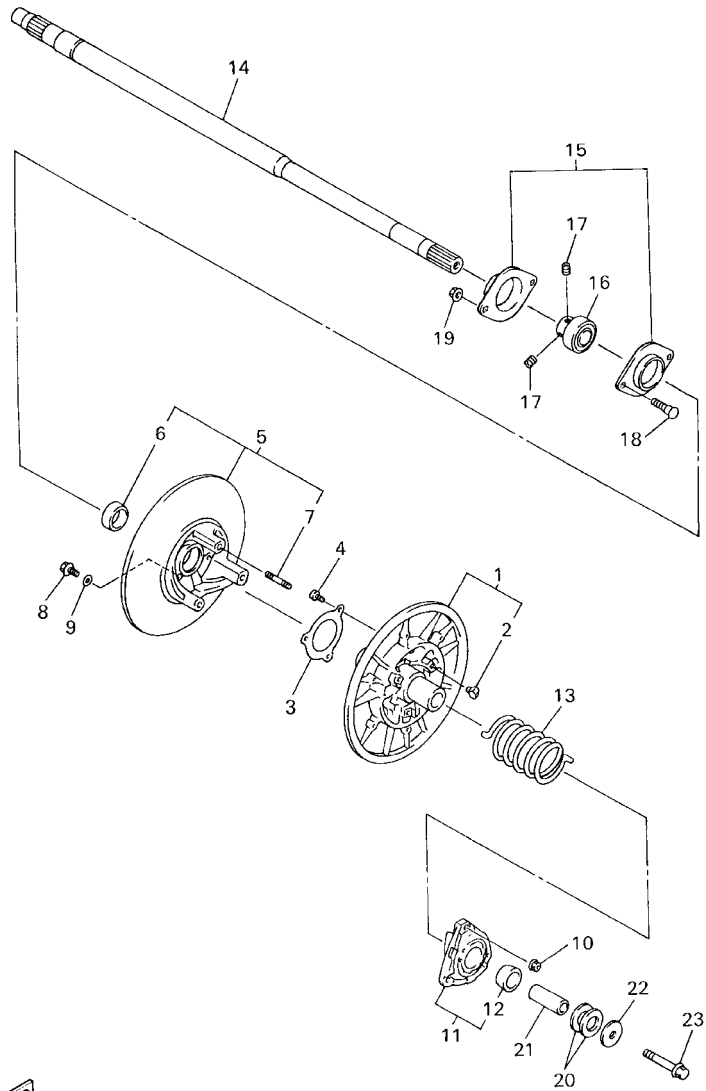


FWD

8ED1100-0110

REF. NO.	PART NO.	DESCRIPTION	USA	CAN	EUR	REMARKS
28	8DN-17641-00	V-BELT	1	1	1	
29	8V0-17647-00	BOLT (L=156.5MM)	1	1	1	
30	92907-16100	WASHER	1	1	1	

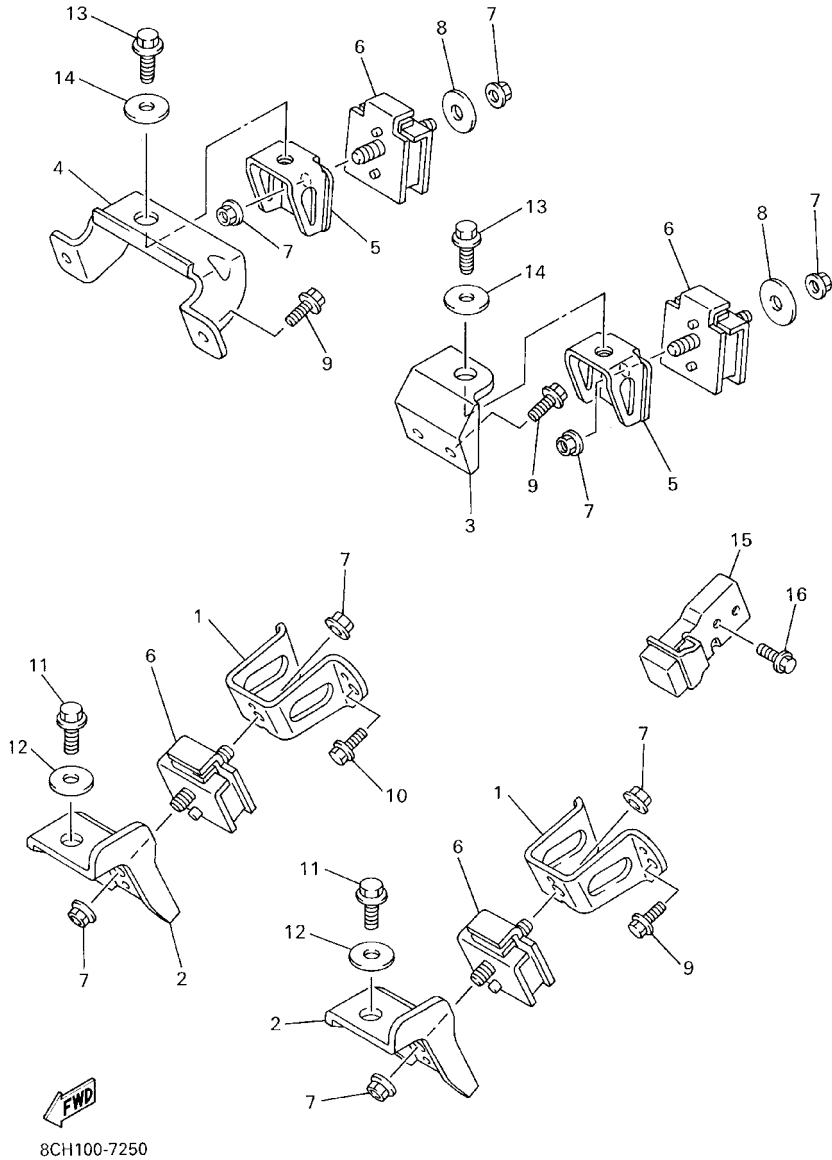
FIG. 12 SECONDARY SHEAVE



8CR3100-9120

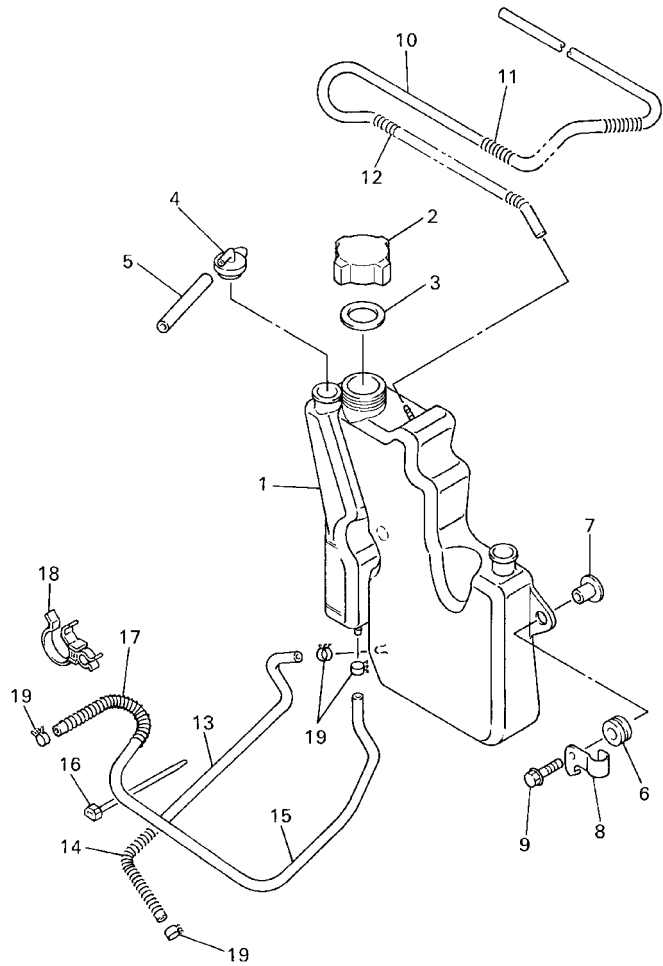
REF. NO.	PART NO.	DESCRIPTION	USA	CAN	EUR	REMARKS
1	8CR-17660-20	SECONDARY FIXED SHEAVE COMP.	1	1	1	
2	8AV-17688-10	.SHOE, RAMP	3	3	3	
3	8BV-17656-00	STOPPER, HOLDER	1	1	1	
4	90154-06062	SCREW, BINDING	3	3	3	
5	8BU-17670-20	SECONDARY SLIDING SHEAVE	1	1	1	
6	90384-38243	.BUSH, BIMETAL FORMED	1	1	1	
7	95617-08630	.BOLT, STUD	3	3	3	
8	90105-06734	BOLT, FLANGE	3	3	3	
9	90201-061H1	WASHER, PLATE (T=0.5)	3	3	3	UR UN
	90201-06037	WASHER, PLATE (T=1.0)	3	3	3	UR UN
10	90179-08655	NUT	3	3	3	
11	8BV-17604-31	SEAT SPRING SET	1	1	1	
12	90384-38243	.BUSH, BIMETAL FORMED	1	1	1	
13	90508-556A2	SPRING, TORSION	1	1	1	
14	8CR-17681-10	SHAFT, SECONDARY	1	1	1	
15	8CR-47631-01	HOUSING, BEARING	1	1	1	
16	93399-99943	BEARING	1	1	1	
17	90113-06064	BOLT, SET	2	2	2	
18	90109-083G2	BOLT	2	2	2	
19	95707-08500	NUT, FLANGE	2	2	2	
20	90201-222F0	WASHER, PLATE (T=0.5)	1	1	1	UR UN
	90201-225A4	WASHER, PLATE (T=1.0)	2	2	2	UR UN
21	90387-1407L	COLLAR	1	1	1	
22	90201-141A3	WASHER, PLATE	1	1	1	
23	90105-14766	BOLT, FLANGE	1	1	1	

FIG. 13 ENGINE BRACKET



REF. NO.	PART NO.	DESCRIPTION	USA	CAN	EUR	REMARKS
1	8CH-21415-00	BRACKET, FRONT UPPER 1	2	2	2	
2	8CR-21417-00	BRACKET, FRONT LOWER 1	2	2	2	
3	8CR-21425-00	BRACKET, REAR UPPER 1	1	1	1	
4	8CH-21425-00	BRACKET, REAR UPPER 1	1	1	1	
5	8CR-21427-01	BRACKET, REAR LOWER 1	2	2	2	
6	8CH-21486-10	DAMPER 2	4	4	4	
7	95707-10500	NUT, FLANGE	8	8	8	
8	90201-10321	WASHER, PLATE	2	2	2	
9	95817-08020	BOLT, FLANGE	7	7	7	
10	95817-08035	BOLT, FLANGE	1	1	1	
11	95827-12030	BOLT, FLANGE	2	2	2	
12	90201-120U9	WASHER, PLATE	2	2	2	
13	95817-10025	BOLT, FLANGE	2	2	2	
14	90201-10321	WASHER, PLATE	2	2	2	
15	8CH-21485-00	DAMPER, RUBBER 1	1	1	1	
16	95827-08020	BOLT, FLANGE	2	2	2	

FIG. 14 OIL TANK



8CP3100-9140

REF. NO.	PART NO.	DESCRIPTION	USA	CAN	EUR	REMARKS
1	8CR-21751-10	TANK, OIL	1	1	1	
2	863-21771-00	BODY, CAP	1	1	1	
3	90430-31003	GASKET	1	1	1	
4	89A-21815-00	CAP	1	1	1	
5	90445-112E0	HOSE (L70)	1	1	1	
6	90480-14101	GROMMET	2	2	2	
7	90387-063G3	COLLAR	2	2	2	
8	90462-08244	CLAMP	1	1	1	
9	95827-06025	BOLT, FLANGE	2	2	2	
10	91A30-05085	TUBE, FLEXIBLE VINYL	1	1	1	
11	90501-08430	SPRING, COMPRESSION	1	1	1	
12	90501-08486	SPRING, COMPRESSION	1	1	1	
13	91A30-05038	TUBE, FLEXIBLE VINYL	1	1	1	
14	90501-08430	SPRING, COMPRESSION	1	1	1	
15	90445-083J5	HOSE (L600)	1	1	1	
16	90464-13073	CLAMP	1	1	1	
17	90501-083J8	SPRING, COMPRESSION	1	1	1	
18	90464-26245	CLAMP	1	1	1	
19	90467-09026	CLIP	4	4	4	

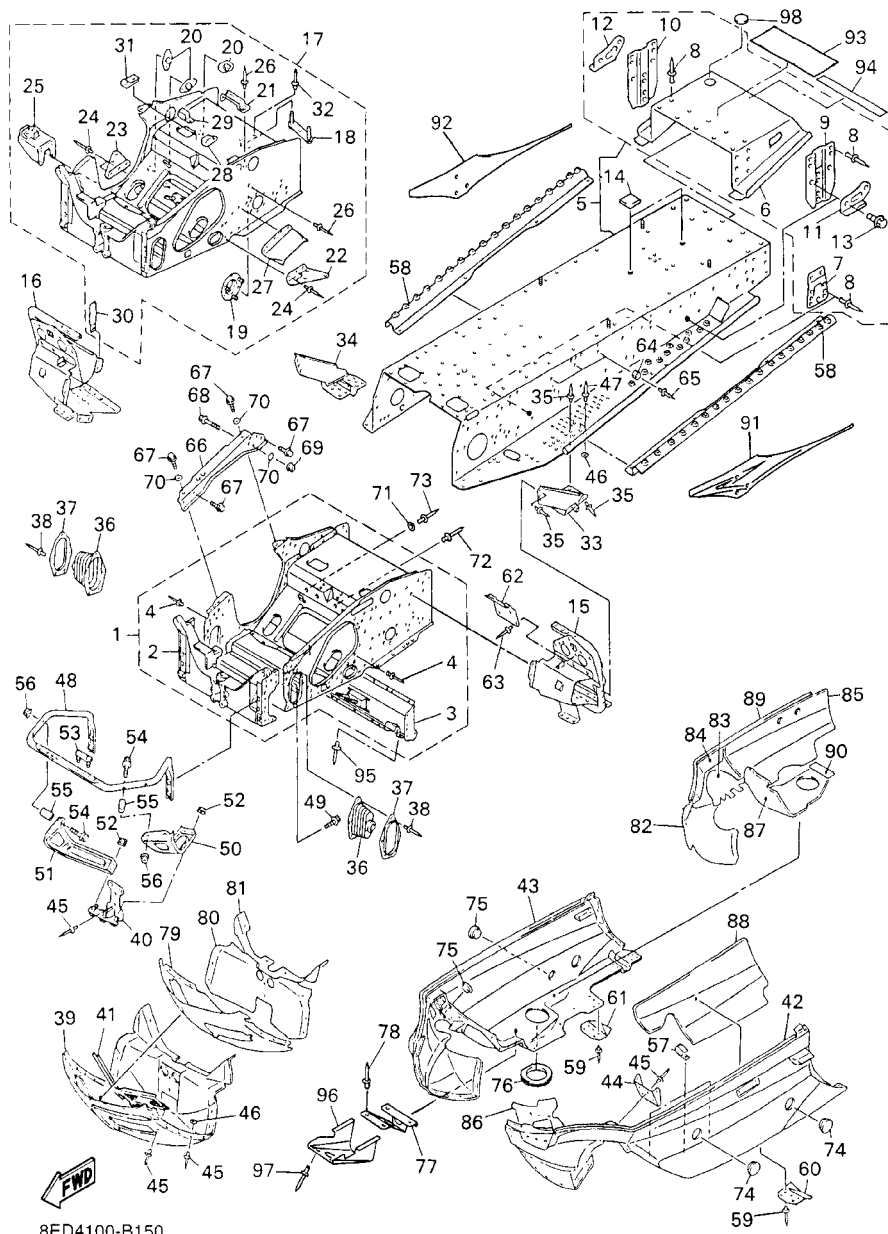
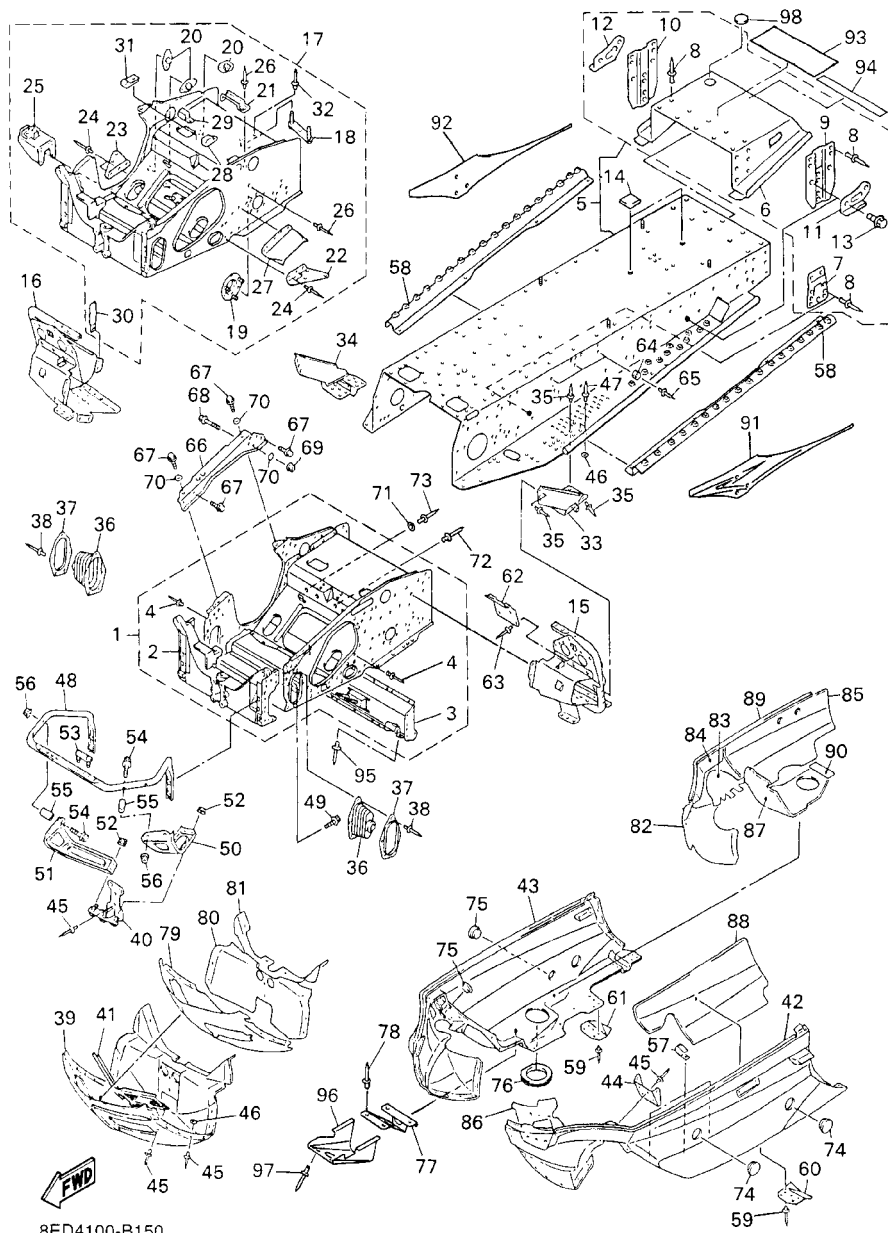


FIG. 15 FRAME

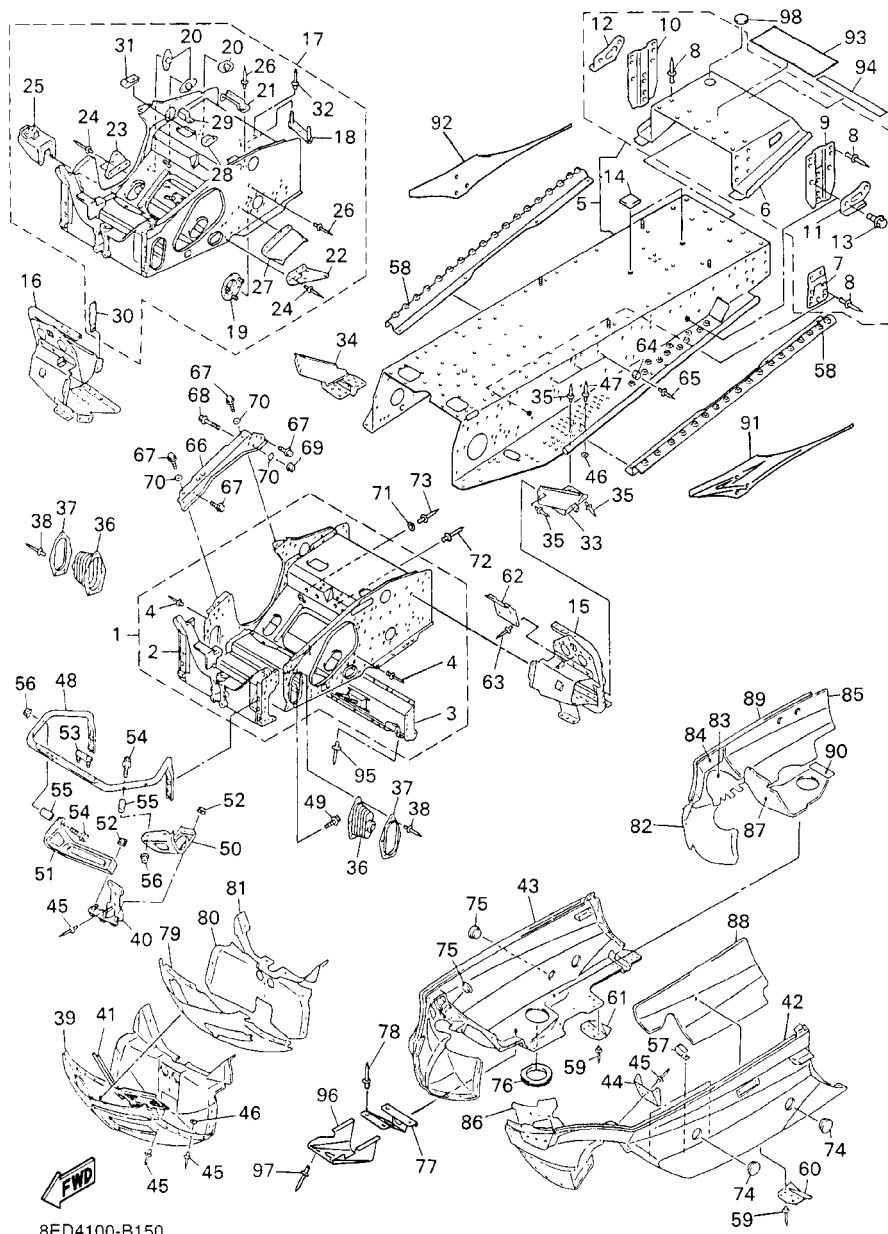
REF. NO.	PART NO.	DESCRIPTION	USA	CAN	EUR	REMARKS
1	8DG-21940-07	FRONT FRAME COMP.	1	1	1	
2	8CR-2191A-02	.BULKHEAD	1	1	1	
3	8DG-12440-01	.HEAT EXCHANGER ASSY	1	1	1	
4	90267-48016	.RIVET, BLIND	70	70	70	UR UN
	90267-48015	.RIVET, BLIND	10	10	10	UR UN
5	8EJ-21950-08	REAR FRAME COMP.	1	1	1	
6	8ED-21916-10	.PANEL, SUB FRAME 5	1	1	1	
7	8ED-21943-00	.BRACKET, MAIN TRACK 1	2	2	2	
8	90267-47195	.RIVET, BLIND	46	46	46	
9	8ED-21944-00	.BRACKET, RR.TRACK SUSPENTION	1	1	1	
10	8ED-21954-00	.BRACKET, RR.TRACK SUSPENTION	1	1	1	
11	8ED-21988-00	.PATCH 8	1	1	1	
12	8ED-21989-00	.PATCH 9	1	1	1	
13	95827-08016	.BOLT, FLANGE	4	4	4	
14	8CR-2198J-00	.COVER 3	2	2	2	
15	8ED-21960-09	FOOTREST COMP. 1	1	1	1	
16	8ED-21970-09	FOOTREST COMP. 2	1	1	1	
17	8ED-W2195-00	FRAME CONNECTION KIT	1	1	1	
18	8CR-2196F-00	.BRACKET 3	1	1	1	
19	8CR-21920-00	.HOUSING, REINF SUB-ASSY(L.H)	1	1	1	
20	8CR-21939-00	.BRACKET, CHAIN HOUSING	3	3	3	
21	8CR-21977-00	.CLAMP, FUEL PIPE	2	2	2	
22	8CR-21917-00	.PANEL, SUB FRAME 6	1	1	1	
23	8CR-21918-00	.PANEL, SUB-FRAME 7	1	1	1	
24	90267-48176	.RIVET, BLIND	4	4	4	
25	8CR-2194J-00	.STAY, MUFFLER	1	1	1	
26	90267-47186	.RIVET, BLIND	50	50	50	UN



8ED4100-B150

FIG. 15 FRAME

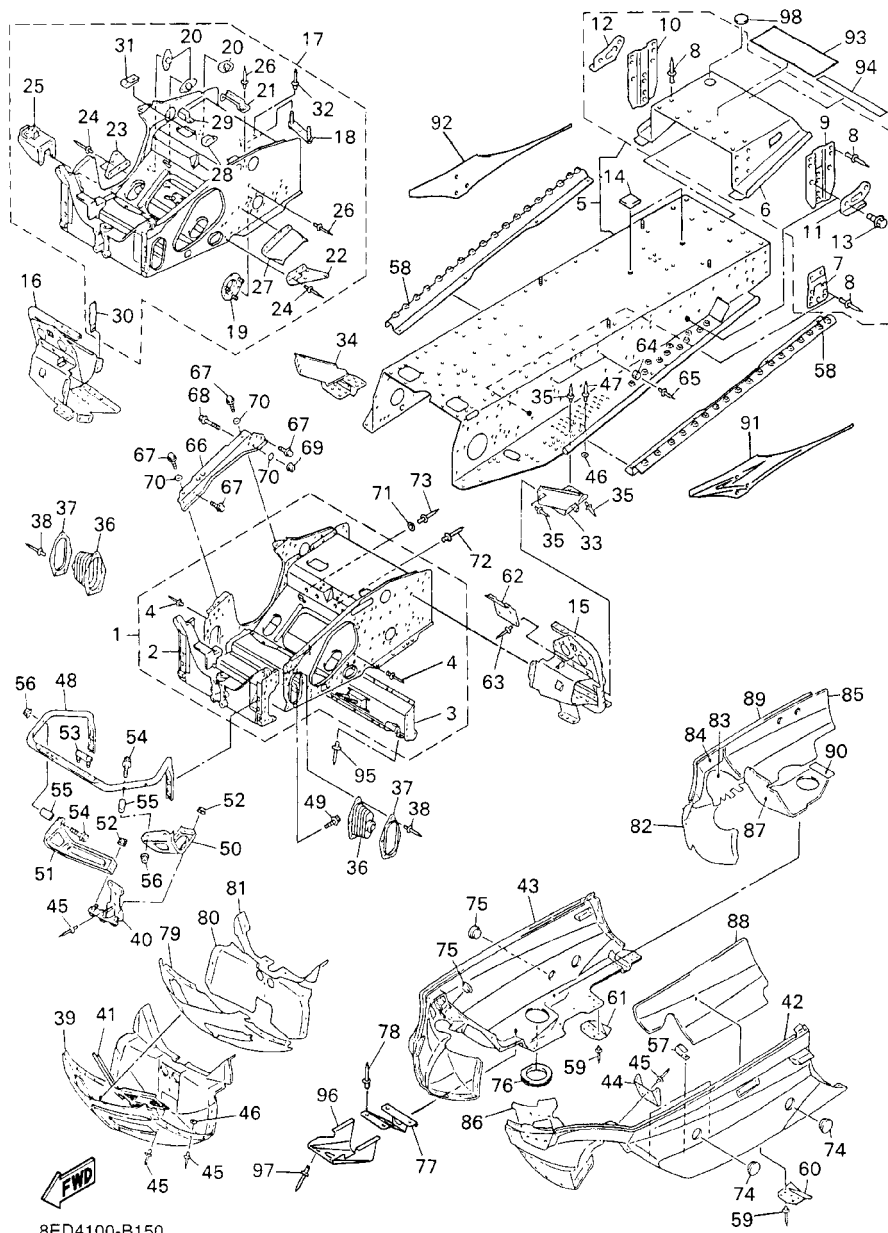
REF. NO.	PART NO.	DESCRIPTION	USA	CAN	EUR	REMARKS
27	8CR-2198G-00	.COVER 2	1	1	1	
28	90461-05003	.CLAMP	2	2	2	
29	90461-06142	.CLAMP	1	1	1	
30	90462-05059	.CLAMP	1	1	1	
31	90461-10148	.CLAMP	1	1	1	
32	90267-47197	.RIVET, BLIND	10	10	10	
33	8DF-21941-00	PIPE, PIVOT 1	1	1	1	
34	8DF-21951-00	PIPE, PIVOT 2	1	1	1	
35	90269-07080	RIVET	16	16	16	
36	8CR-2198F-00	COVER 1	2	2	2	
37	8CR-2195E-00	PLATE, STRG BRACKET 1	2	2	2	
38	90267-47197	RIVET, BLIND	10	10	10	
39	8CR-21912-01	PANEL, SUB FRAME 1	1	1	1	
40	8CR-23788-11	PLATE, BACK UP	1	1	1	
41	8CR-77128-00	STAY 4	1	1	1	
42	8CR-2196A-03	FRAME UNDER 1	1	1	1	
43	8CR-2196E-03	FRAME, UNDER 2	1	1	1	
44	8CR-21972-00	BRACKET, GUARD FITTING	1	1	1	
45	90267-48018	RIVET, BLIND	39	39	39	
46	90201-05033	WASHER, PLATE	18	18	18	
47	90267-47187	RIVET, BLIND	14	14	14	
48	8CR-77512-00	BUMPER, FRONT 2	1	1	1	
49	95807-08020	BOLT, FLANGE	4	4	4	
50	8CR-21949-10	BRACKET, FRONT	1	1	1	
51	8CR-21959-10	BRACKET, FRONT BUMPER	1	1	1	
52	95607-08200	NUT, SELF-LOCKING	4	4	4	
53	8CR-2196M-00	BRACKET, 5	2	2	2	



8ED4100-B150

FIG. 15 FRAME

REF. NO.	PART NO.	DESCRIPTION	USA	CAN	EUR	REMARKS
54	95807-08040	BOLT, FLANGE	4	4	4	
55	90387-0810F	COLLAR	4	4	4	
56	95707-08500	NUT, FLANGE	4	4	4	
57	90465-08146	CLAMP	3	3	3	
58	8ED-2192A-10	PLATE, ANTI-SKID	2	2	2	
59	90267-48018	RIVET, BLIND	8	8	8	
60	8CR-21978-00	PROTECTOR, FRAME	1	1	1	
61	8CR-2197B-00	PROTECTOR, FRAME	1	1	1	
62	8CR-21973-00	HOOK	1	1	1	
63	90267-48169	RIVET, BLIND	3	3	3	
64	81K-2471F-00	BUTTON	6	6	6	
65	90267-40069	RIVET, BLIND	6	6	6	
66	8CR-21921-01	REINFORCEMENT, FRAME REAR 1	1	1	1	
67	90105-10617	BOLT, FLANGE	6	6	6	
68	95827-10065	BOLT, FLANGE	1	1	1	
69	95707-10500	NUT, FLANGE	1	1	1	
70	92907-10200	WASHER, PLAIN	3	3	3	
71	90201-05033	WASHER, PLATE	2	2	2	
72	90267-48016	RIVET, BLIND	3	3	3	
73	90267-47187	RIVET, BLIND	2	2	2	
74	90338-44093	PLUG	3	3	3	
75	90338-30256	PLUG	3	3	3	
76	8DF-21998-00	SPACER	1	1	1	
77	8ED-2197C-00	PROTECTOR, FRAME 3	1	1	1	
78	90267-48018	RIVET, BLIND	4	4	4	
79	8CR-77261-00	LINING, SHROUD 1	1	1	1	
80	8CR-77262-00	LINING, SHROUD 2	1	1	1	

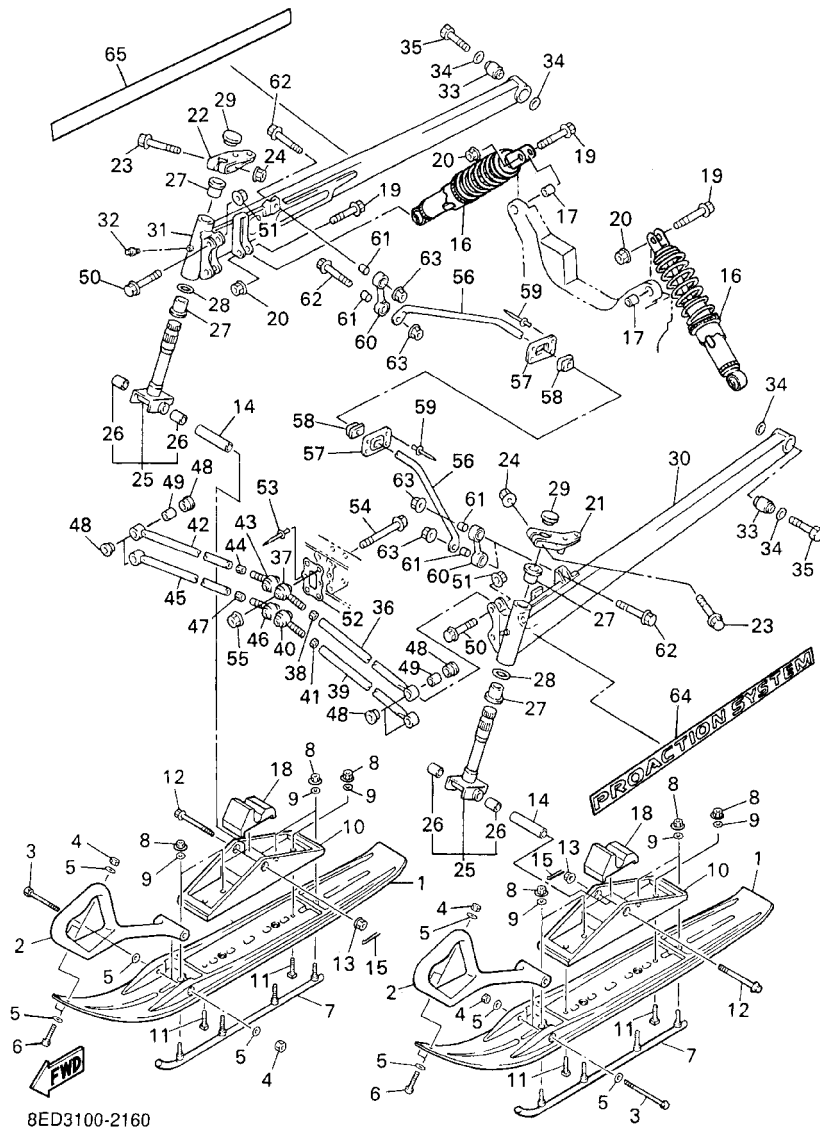


8ED4100-B150

FIG. 15 FRAME

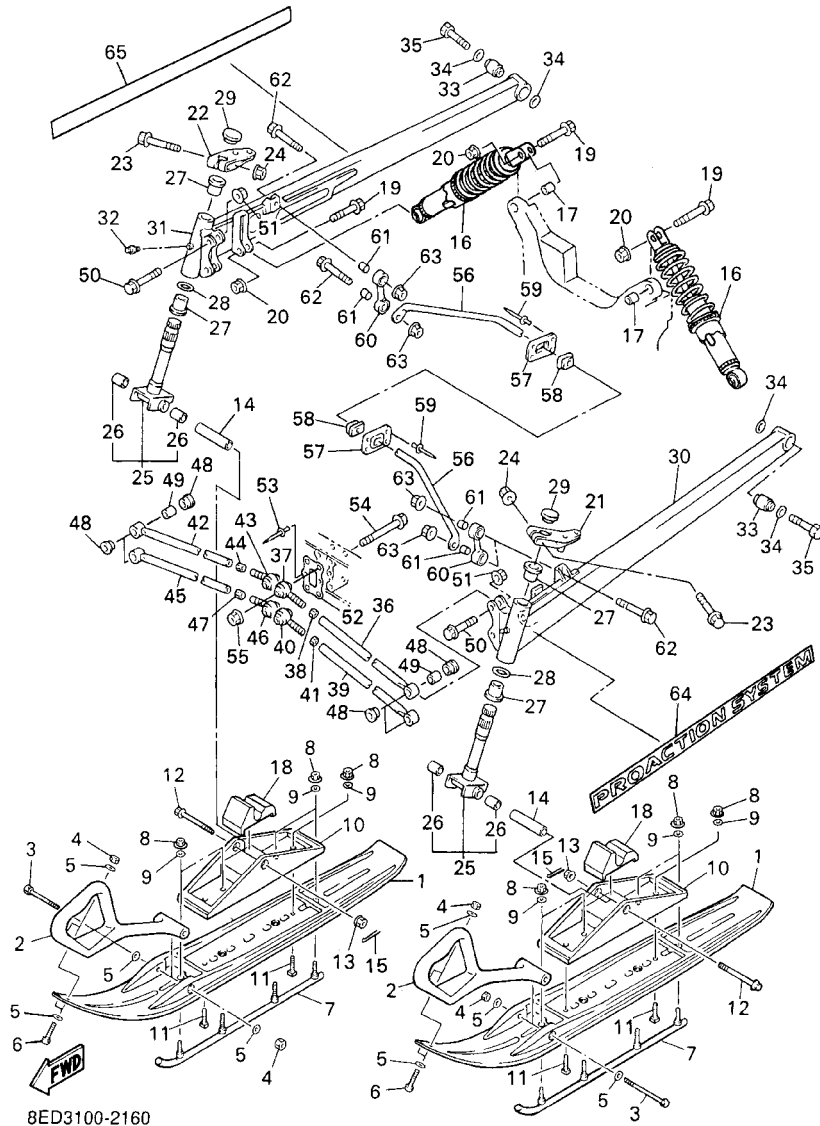
REF. NO.	PART NO.	DESCRIPTION	USA	CAN	EUR	REMARKS
81	8CR-77263-00	LINING, SHROUD 3	1	1	1	
82	8CR-77264-00	LINING, SHROUD 4	1	1	1	
83	8CR-77265-00	LINING, SHROUD 5	1	1	1	
84	8CR-77266-00	LINING, SHROUD 6	1	1	1	
85	8CR-77267-01	LINING, SHROUD 7	1	1	1	
86	8CR-77268-00	LINING,SHROUD 8	1	1	1	
87	8CR-77269-00	LINING,SHROUD 9	1	1	1	
88	8CR-77271-00	DAMPER, NOISE 11	1	1	1	
89	8CR-7717J-00	TAPE,5	1	1	1	
90	8CR-77165-00	TRIM 1	1	1	1	
91	8EJ-7711G-10	GRAPHIC 7	1	1	1	
92	8EJ-7711H-10	GRAPHIC 8	1	1	1	
93	8EN-77143-01	EMBLEM 3	1	1	1	
94	88X-77762-10	LABEL, WARNING 2	1	1		
	88Y-77762-00	LABEL, WARNING 2			1	
95	90267-48016	RIVET, BLIND	6	6	6	
96	8ED-2194H-00	PROTECTOR, MUFFLER	1	1	1	
97	90267-47186	RIVET, BLIND	3	3	3	
98	90338-44019	PLUG	1	1	1	

FIG. 16 SKI



REF. NO.	PART NO.	DESCRIPTION	USA	CAN	EUR	REMARKS
1	8DP-23711-10	SKI 1	2	2	2	
2	8EG-23712-00	REINFORCEMENT, HEAD	2	2	2	
3	8DF-23755-00	BOLT, REINF. HEAD 1	2	2	2	
4	8DF-23778-00	NUT	6	6	6	
5	8DF-23737-00	WASHER 1	12	12	12	
6	8DP-23756-00	BOLT, REINFORCEMENT HEAD	4	4	4	
7	8DF-23731-20	RUNNER 1	2	2	2	
8	95707-08300	NUT, FLANGE	12	12	12	
9	90201-086P8	WASHER, PLATE	12	12	12	
10	8EA-23766-00	SADDLE 1	2	2	2	
11	90108-08002	BOLT, SQUARE	4	4	4	
12	90105-10712	BOLT, FLANGE	2	2	2	
13	95607-10200	NUT, SELF-LOCKING	2	2	2	
14	90387-1012H	COLLAR	2	2	2	
15	91401-20020	PIN, COTTER	2	2	2	
16	8ED-2376A-00	ABSORBER ASSY 1	2	2	2	
17	8CR-2376B-00	BUSH	2	2	2	
18	8CS-23743-00	STOPPER 1	2	2	2	
19	90105-100A9	BOLT, FLANGE	4	4	4	
20	95607-10200	NUT, SELF-LOCKING	4	4	4	
21	8CR-23851-00	ARM, OUTSIDE 1	1	1	1	
22	8CR-23852-00	ARM, OUTSIDE 2	1	1	1	
23	95817-10055	BOLT, FLANGE	2	2	2	
24	95607-10200	NUT, SELF-LOCKING	2	2	2	
25	8CR-23803-01	COLUMN, SKI ASSY	2	2	2	
26	90384-16251	BUSH, BIMETAL FORMED	2	2	2	
27	90381-25115	BUSH, SOLID	4	4	4	

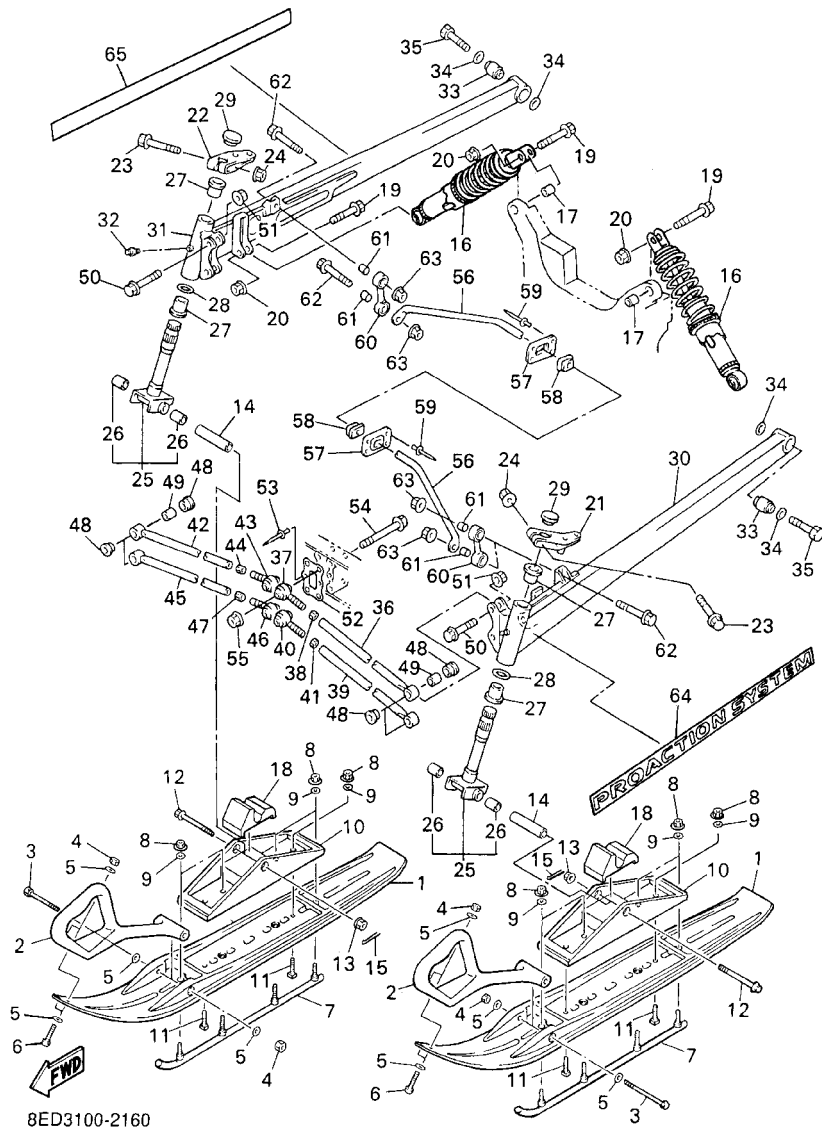
FIG. 16 SKI



8ED3100-2160

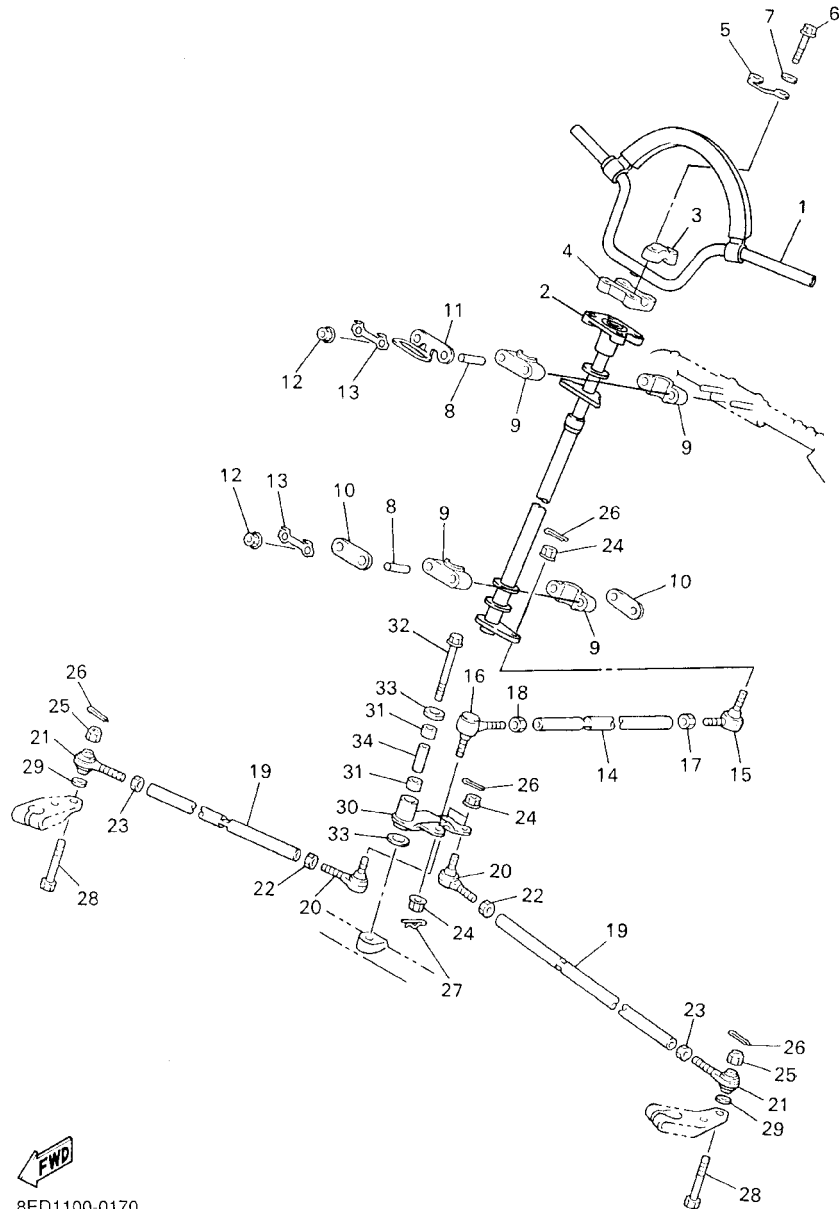
REF. NO.	PART NO.	DESCRIPTION	USA	CAN	EUR	REMARKS
28	90201-301G3	WASHER, PLATE	2	2	2	
29	8CR-23741-10	CAP 1	2	2	2	
30	8CS-2382E-20	ARM, FRONT 1	1	1	1	
31	8CS-2382F-20	ARM, FRONT 2	1	1	1	
32	93700-06004	NIPPLE, GREASE	2	2	2	
33	8CR-2516A-00	DAMPER	2	2	2	
34	90201-120T5	WASHER, PLATE	4	4	4	
35	90101-12780	BOLT	2	2	2	
36	8CS-2384E-20	ARM, CONTROL 1	1	1	1	
37	8DN-23823-00	JOINT 2	1	1	1	
38	95317-12600	NUT	1	1	1	
39	8CS-2384F-20	ARM, CONTROL 2	1	1	1	
40	8DN-23832-00	JOINT 3	1	1	1	
41	95314-14600	NUT	1	1	1	
42	8CS-2384E-20	ARM, CONTROL 1	1	1	1	
43	8DN-23823-00	JOINT 2	1	1	1	
44	95317-12600	NUT	1	1	1	
45	8CS-2384F-20	ARM, CONTROL 2	1	1	1	
46	8DN-23832-00	JOINT 3	1	1	1	
47	95314-14600	NUT	1	1	1	
48	90381-17110	BUSH, SOLID	8	8	8	
49	90387-1009K	COLLAR	4	4	4	
50	90105-100A9	BOLT, FLANGE	4	4	4	
51	95607-10200	NUT, SELF-LOCKING	4	4	4	
52	8DF-23779-00	WASHER	1	1	1	
53	90267-48057	RIVET, BLIND	2	2	2	
54	90105-121A8	BOLT, FLANGE	4	4	4	

FIG. 16 SKI



REF. NO.	PART NO.	DESCRIPTION	USA	CAN	EUR	REMARKS
55	95607-12200	NUT, SELF-LOCKING	4	4	4	
56	8CS-2386E-00	BAR, STABILIZER FRONT	1	1	1	
57	8CR-2386H-00	COVER, STABILIZER FRONT	2	2	2	
58	8CR-2386G-00	BUSH, STABILIZER FRONT	4	4	4	
59	90267-47186	RIVET, BLIND	8	8	8	
60	8CR-2385L-00	JOINT, STABILIZER 1	2	2	2	
61	90387-087L3	COLLAR	4	4	4	
62	90105-08345	BOLT, FLANGE	4	4	4	
63	95607-08200	NUT, SELF-LOCKING	4	4	4	
64	8EA-77371-30	EMBLEM 15	1	1	1	
65	8EA-77372-30	EMBLEM 16	1	1	1	

FIG. 17 STEERING



8ED1100-0170

REF. NO.	PART NO.	DESCRIPTION	USA	CAN	EUR	REMARKS
1	8ED-26110-10	HANDLE COMP.	1	1	1	
2	8ED-23813-00	COLUMN, STEERING 2	1	1	1	
3	8K1-23814-00	HOLDER, HANDLE	2	2	2	
4	8ED-23442-00	HOLDER, HANDLE LOWER	1	1	1	
5	8DF-23857-00	HOLDER	1	1	1	
6	97027-08055	BOLT	4	4	4	
7	92907-08600	WASHER, PLATE	4	4	4	
8	90387-090R0	COLLAR	4	4	4	
9	8DF-23812-00	PLANE BEARING, STEERING	4	4	4	
10	8CR-23872-00	HOLDER, BEARING	2	2	2	
11	8CJ-23872-00	HOLDER, BEARING	1	1	1	
12	95707-08300	NUT, FLANGE	4	4	4	
13	1UY-23894-01	WASHER, LOCK 1	2	2	2	
14	8CR-23821-00	ROD, STEERING RELAY	1	1	1	
15	8CR-23845-00	JOINT, UNIVERSAL 2	1	1	1	
16	8CR-23847-00	JOINT, UNIVERSAL 3	1	1	1	
17	95307-10700	NUT	1	1	1	
18	90170-10186	NUT	1	1	1	(L.H. THREAD)
19	8CS-23831-00	ROD, TIE	2	2	2	
20	8CR-23845-00	JOINT, UNIVERSAL 2	2	2	2	
21	87S-23847-00	JOINT, UNIVERSAL 3	2	2	2	(L.H. THREAD)
22	95307-10700	NUT	2	2	2	
23	90170-10186	NUT	2	2	2	(L.H. THREAD)
24	95707-10500	NUT, FLANGE	4	4	4	
25	95707-10300	NUT, FLANGE	2	2	2	
26	91401-25020	PIN, COTTER	5	5	5	
27	90468-12006	CLIP	1	1	1	



8ED1100-0170

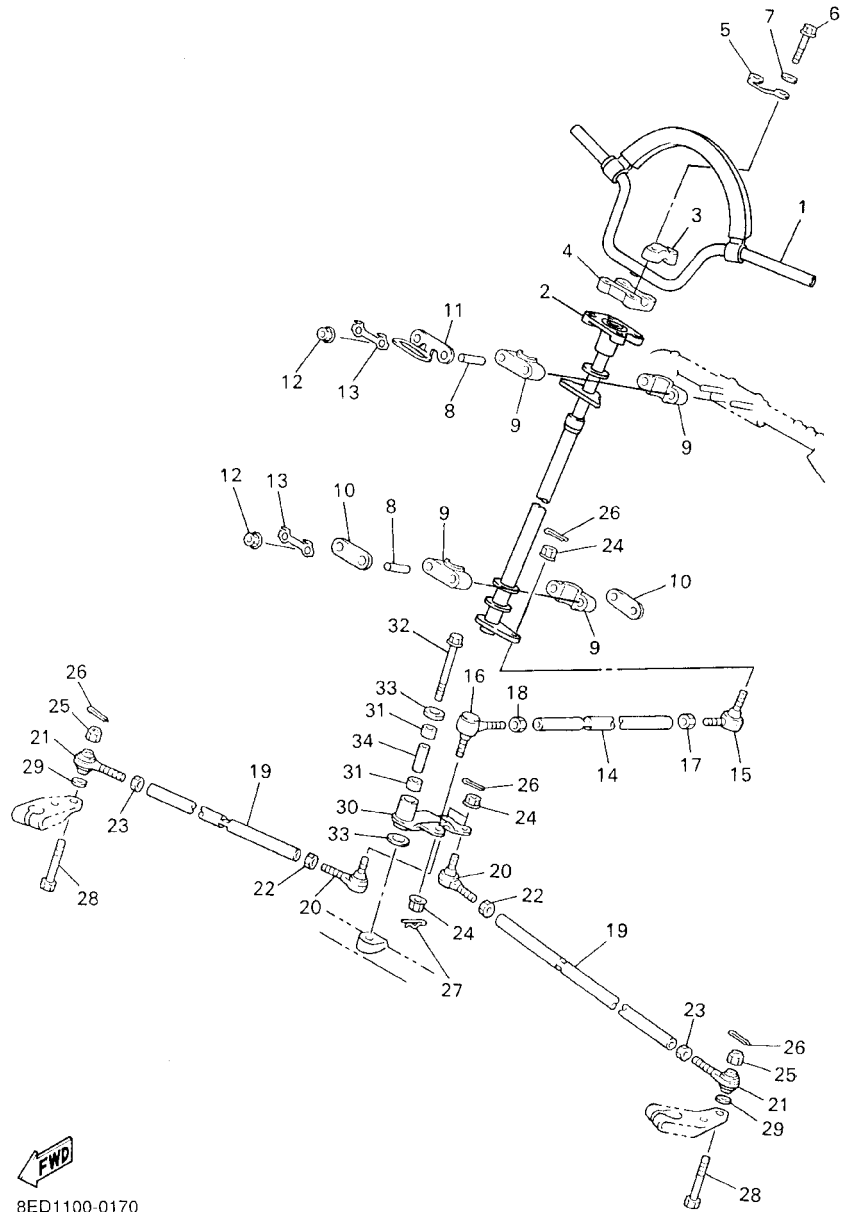
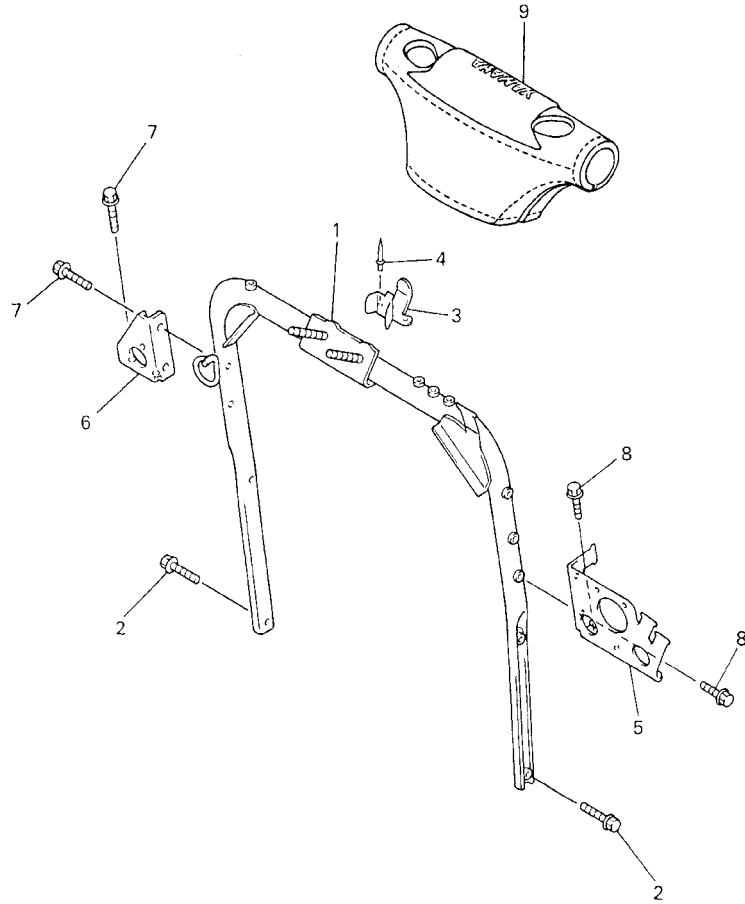


FIG. 17 STEERING

REF. NO.	PART NO.	DESCRIPTION	USA	CAN	EUR	REMARKS
28	90102-10044	BOLT, WITH HOLE	2	2	2	
29	90201-08759	WASHER, PLATE	2	2	2	
30	8DF-23826-10	ARM, IDLER	1	1	1	
31	93317-41767	BEARING	2	2	2	
32	90105-12006	BOLT, FLANGE	1	1	1	
33	90201-121U3	WASHER, PLATE	2	2	2	
34	8DF-2412G-00	COLLAR	1	1	1	

D4

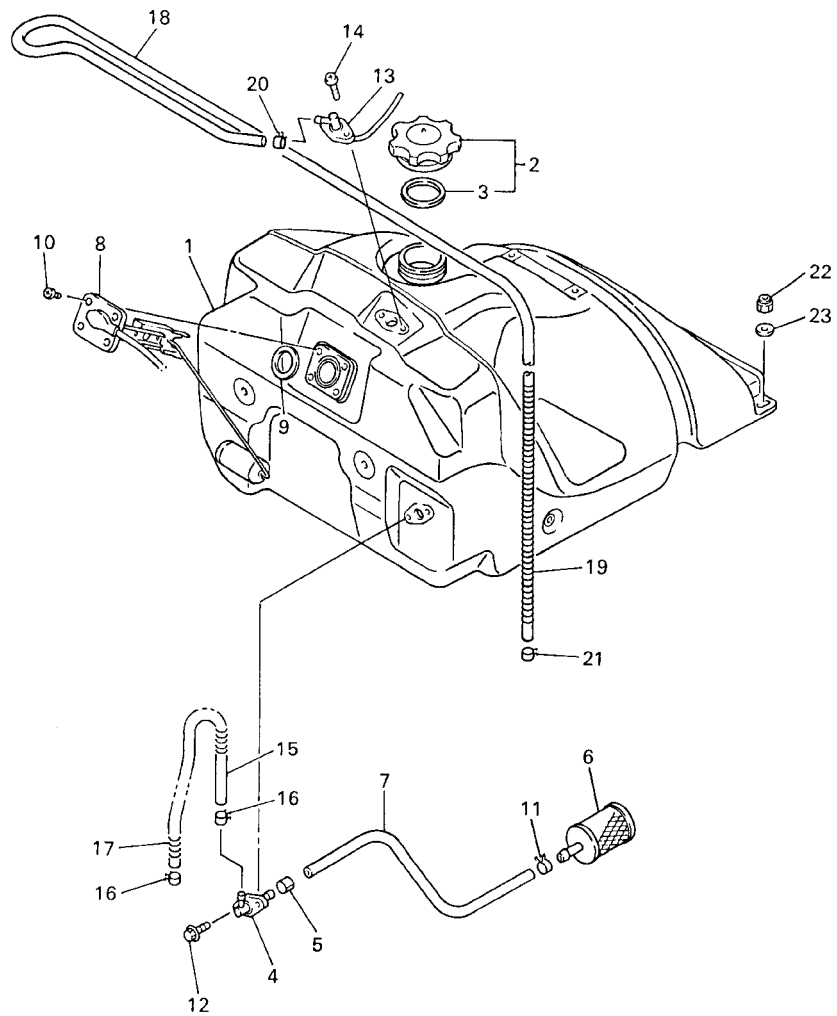
FIG. 18 STEERING GATE



8ED3100-2180

REF. NO.	PART NO.	DESCRIPTION	USA	CAN	EUR	REMARKS
1	8CR-23870-10	STEERING GATE COMP.	1	1	1	
2	95827-08016	BOLT, FLANGE	4	4	4	
3	8DF-23867-00	HOLDER 2	1	1	1	
4	90267-48095	RIVET, BLIND	2	2	2	
5	8DN-23882-00	BRACKET 2	1	1	1	
6	8CR-23881-00	BRACKET 1	1	1	1	
7	95827-06016	BOLT, FLANGE	4	4	4	
8	90105-060A6	BOLT, FLANGE	4	4	4	
9	8ED-23815-00	PAD, STEERING	1	1	1	

FIG. 19 FUEL TANK



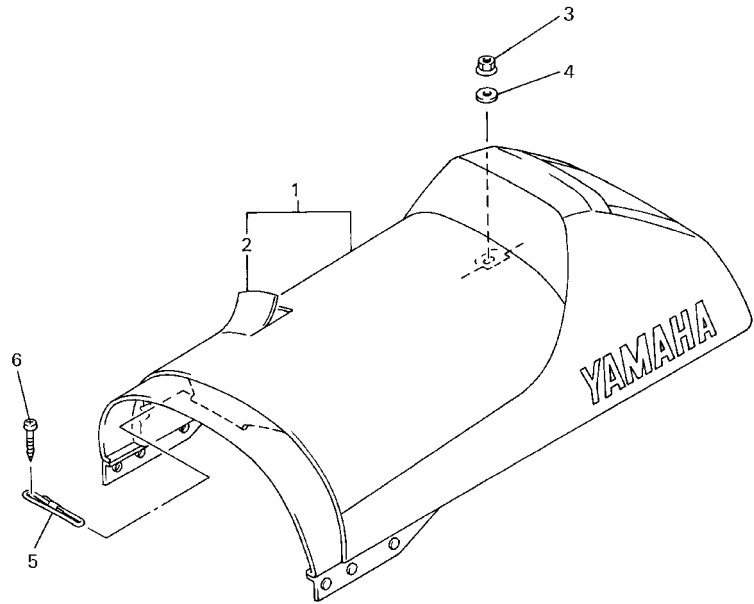
REF. NO.	PART NO.	DESCRIPTION	USA	CAN	EUR	REMARKS
1	8CW-24111-10	TANK, FUEL	1	1	1	
2	8CW-24610-00	CAP ASSY	1	1	1	
3	8CW-24612-00	.GASKET, CAP	1	1	1	
4	8CR-24301-00	SUCTION PIPE COMP. 1	1	1	1	
5	90468-04092	CLIP	1	1	1	
6	8H5-24560-00	FILTER ASSY	1	1	1	
7	8CR-24335-00	PIPE, SUCTION 1	1	1	1	
8	8CW-85752-00	SENDER UNIT ASSY, FUEL METER	1	1	1	
9	93210-41041	O-RING	1	1	1	
10	98907-05008	SCREW, BIND	4	4	4	
11	90467-11032	CLIP	1	1	1	
12	90105-060A6	BOLT, FLANGE	2	2	2	
13	8CR-2418A-00	BREATHER COMP.	1	1	1	
14	90149-06330	SCREW	2	2	2	
15	8CR-24311-10	PIPE, FUEL 1	1	1	1	
16	90467-11032	CLIP	2	2	2	
17	90501-08668	SPRING, COMPRESSION	1	1	1	
18	91A20-05115	TUBE, FLEXIBLE VINYL	1	1	1	
19	90501-084J0	SPRING, COMPRESSION	1	1	1	
20	90468-02078	CLIP	1	1	1	
21	90467-09026	CLIP	1	1	1	
22	95707-08300	NUT, FLANGE	2	2	2	
23	90201-08784	WASHER, PLATE	2	2	2	



8ED3100-2190

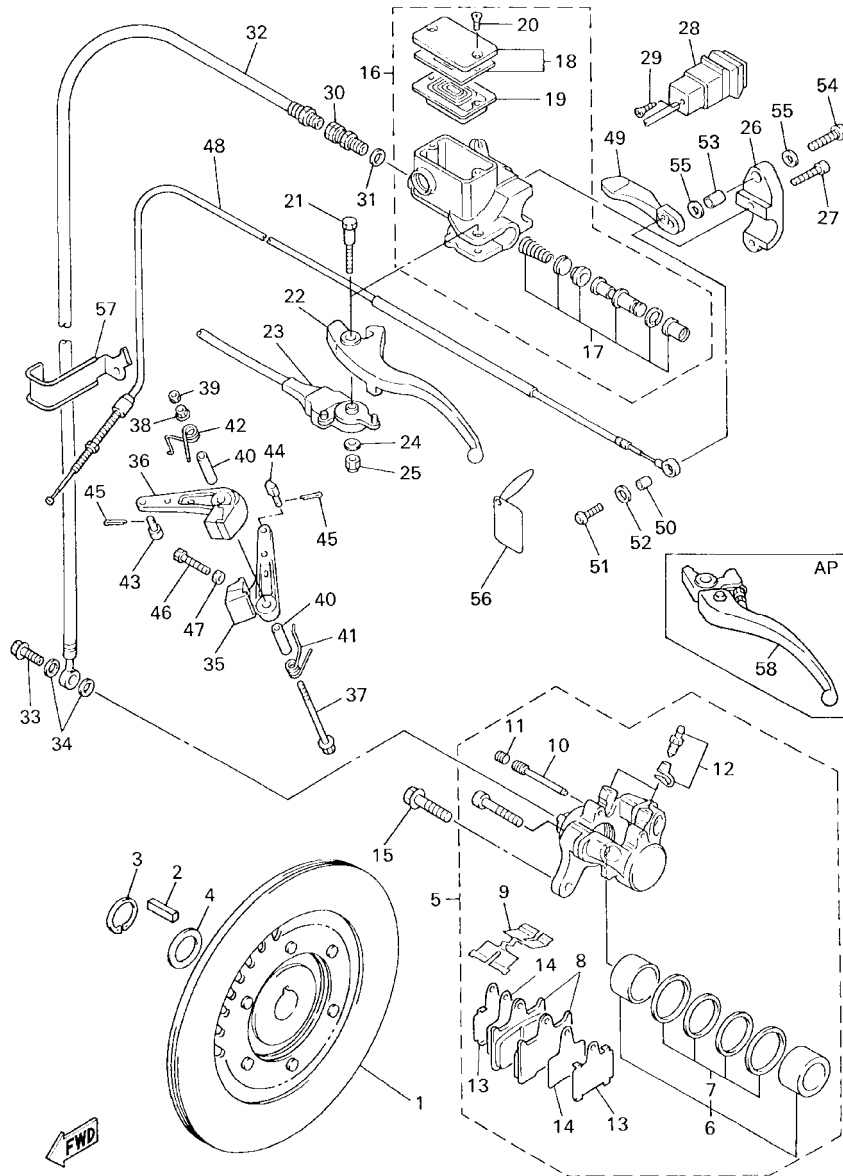
FIG. 20 SEAT

REF. NO.	PART NO.	DESCRIPTION	USA	CAN	EUR	REMARKS
1	8CR-24710-80	SINGLE SEAT ASSY	1	1	1	
2	8CR-2470F-70	.SEAT COVER COMP.	1	1	1	
3	95707-08300	NUT, FLANGE	2	2	2	
4	90201-086A3	WASHER, PLATE	2	2	2	
5	8CR-24734-00	BAND, SEAT	1	1	1	
6	90154-06040	SCREW, BINDING	2	2	2	



8CR100-7200

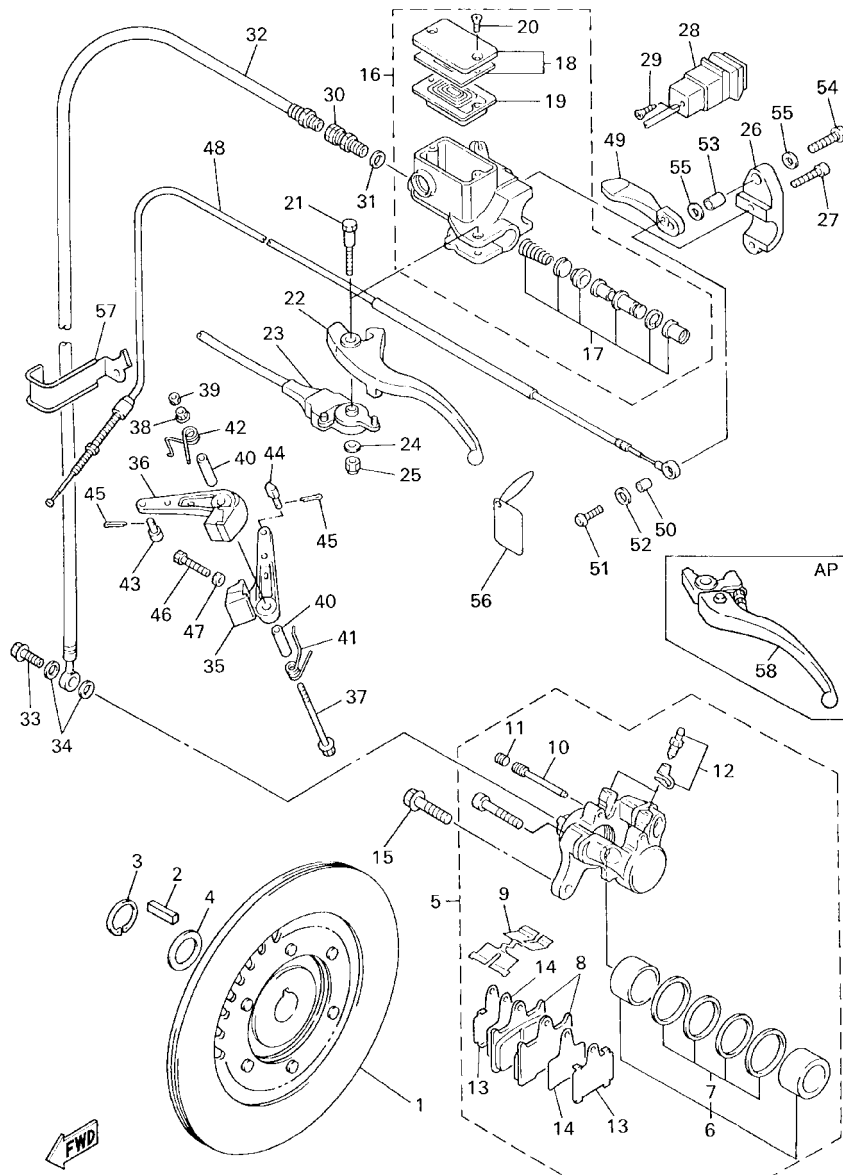
FIG. 21 BRAKE



8CR3100-9210

REF. NO.	PART NO.	DESCRIPTION	USA	CAN	EUR	REMARKS
1	8CR-2581T-00	DISC BRAKE ASSY	1	1	1	
2	90281-07004	KEY, SLIDING	1	1	1	
3	93410-27080	CIRCLIP	1	1	1	
4	90201-270U5	WASHER, PLATE	1	1	1	
5	8DF-2580T-01	CALIPER ASSY (LEFT)	1	1	1	
6	8CR-W0057-00	.PISTON ASSY, CALIPER	1	1	1	
7	8CR-W0047-00	..CALIPER SEAL KIT	1	1	1	
8	8DF-W0046-00	.BRAKE PAD KIT 2	1	1	1	
9	8CR-25919-00	.SUPPORT, PAD	1	1	1	
10	8CR-25924-00	.PIN, PAD	1	1	1	
11	8CR-25926-00	.BOLT	1	1	1	
12	8CR-W0048-00	.BLEED SCREW KIT	2	2	2	
13	8DF-2582F-00	.RETAINER	2	2	2	
14	8DF-25828-00	.SHIM, CALIPER	2	2	2	
15	90105-10634	BOLT, FLANGE	2	2	2	
16	8DF-W2587-40	MASTER CYLINDER SUB ASSY	1	1	1	
17	8CR-W0041-00	.CYLINDER KIT, MASTER	1	1	1	
18	8CR-W2585-00	.RESERVOIR CAP SET	1	1	1	
19	55U-25854-00	.DIAPHRAGM, RESERVOIR	1	1	1	
20	98706-04012	.SCREW, FLAT HEAD	2	2	2	
21	8CR-2589F-00	BOLT, LEVER	1	1	1	
22	8CR-83912-00	LEVER 1	1	1	1	
23	8CR-82530-01	STOP SWITCH ASSY	1	1	1	
24	8CR-8398X-00	WASHER, PLAIN	1	1	1	
25	95707-05300	NUT, FLANGE	1	1	1	
26	8CR-25867-00	HOLDER, MASTER CYLINDER	1	1	1	
27	91316-06022	BOLT	2	2	2	

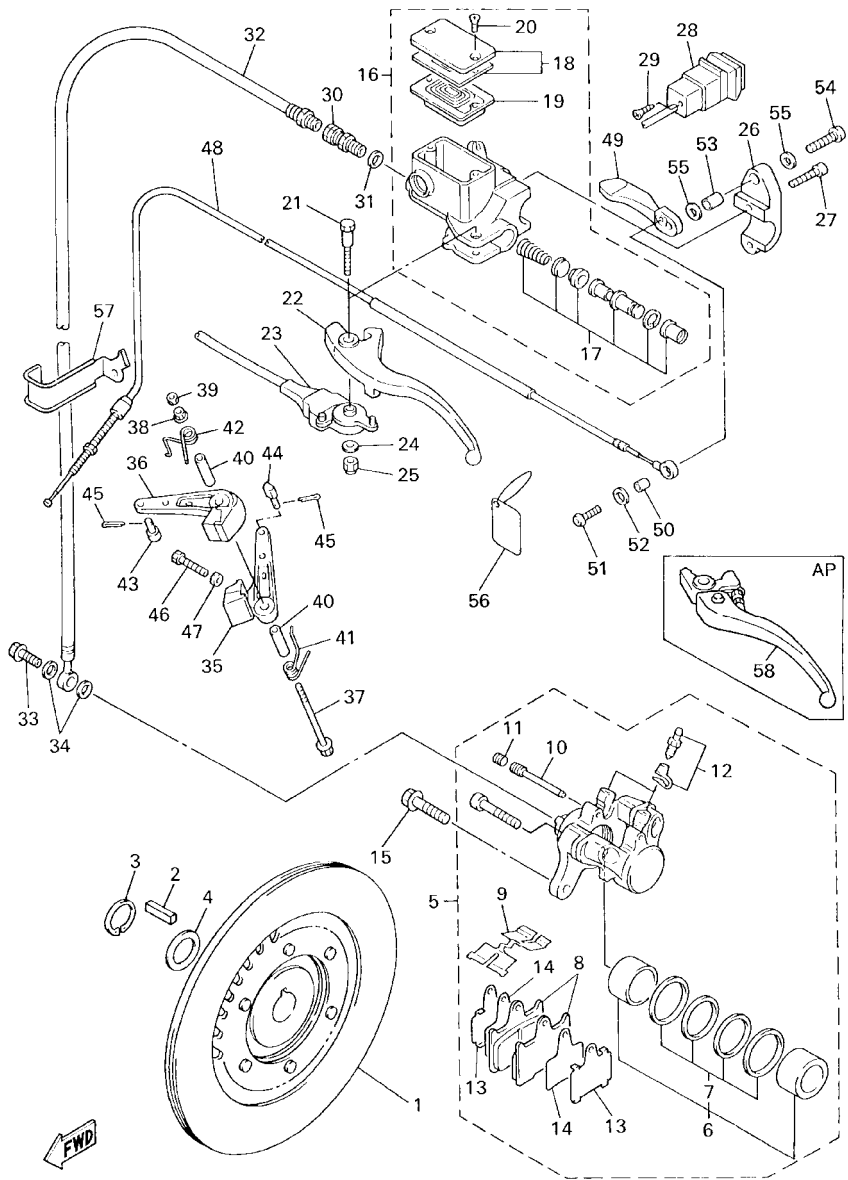
FIG. 21 BRAKE



8CR3100-9210

REF. NO.	PART NO.	DESCRIPTION	USA	CAN	EUR	REMARKS
28	8EK-83950-00	BEAM SWITCH ASSY	1	1	1	
29	8CR-2589H-00	SCREW	1	1	1	
30	3LC-25885-00	JOINT	1	1	1	
31	90201-10118	WASHER, PLATE	1	1	1	
32	8ED-25872-00	HOSE, BRAKE 1	1	1	1	
33	90401-10159	BOLT, UNION	1	1	1	
34	90201-10118	WASHER, PLATE	2	2	2	
35	8CR-25730-00	CALIPER BODY COMP.1	1	1	1	
36	8CR-25740-00	CALIPER BODY COMP. 2	1	1	1	
37	90105-08094	BOLT, FLANGE	1	1	1	
38	95707-08500	NUT, FLANGE	1	1	1	
39	95307-08700	NUT	1	1	1	
40	90387-084R5	COLLAR	2	2	2	
41	90508-291B2	SPRING, TORSION	1	1	1	
42	90508-291B1	SPRING, TORSION	1	1	1	
43	90249-06009	PIN	1	1	1	
44	90249-06012	PIN	1	1	1	
45	91490-20015	PIN, COTTER	2	2	2	
46	90101-06288	BOLT	1	1	1	
47	95307-06700	NUT	1	1	1	
48	8ED-26351-00	CABLE, BRAKE	1	1	1	
49	8CR-83922-00	LEVER 2	1	1	1	
50	90387-06043	COLLAR	1	1	1	
51	92017-06014	BOLT	1	1	1	
52	90201-06050	WASHER, PLATE	1	1	1	
53	90387-081M9	COLLAR	1	1	1	
54	92017-08020	BOLT	1	1	1	

D9

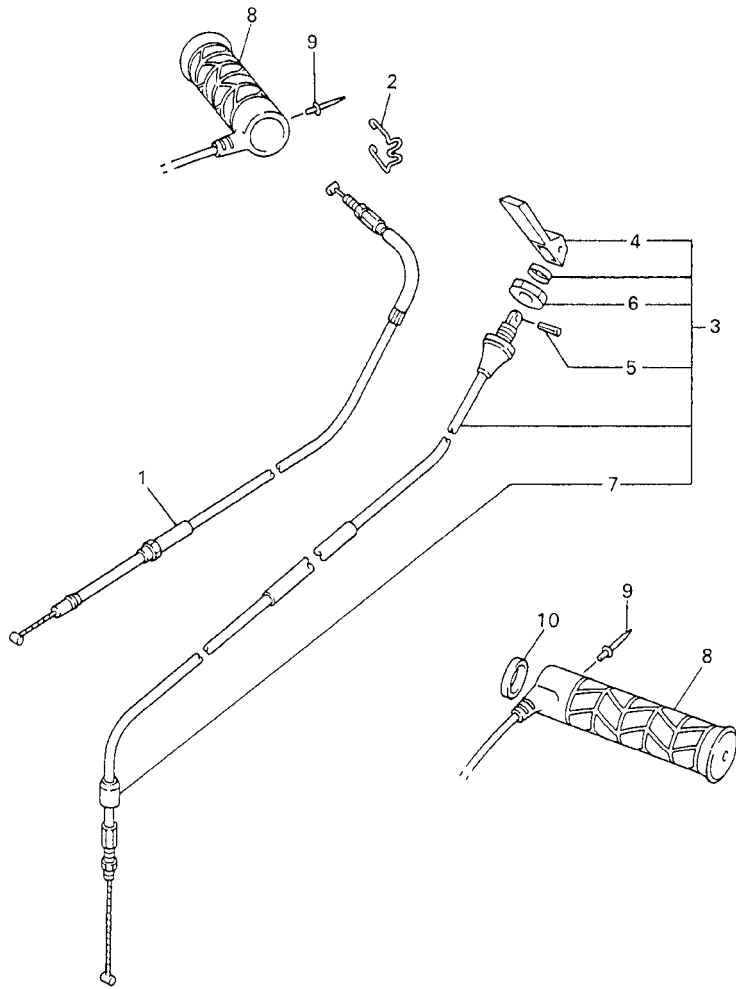


8CR3100-9210

FIG. 21 BRAKE

REF. NO.	PART NO.	DESCRIPTION	USA	CAN	EUR	REMARKS
55	90201-08403	WASHER, PLATE	2	2	2	
56	8CR-23496-00	TAG, CAUTION	1	1	1	
57	8DF-25886-00	HOLDER, BRAKE HOSE	1	1	1	
58	8DN-83912-00	LEVER 1	1	1	1	AP

FIG. 22 CONTROL CABLE

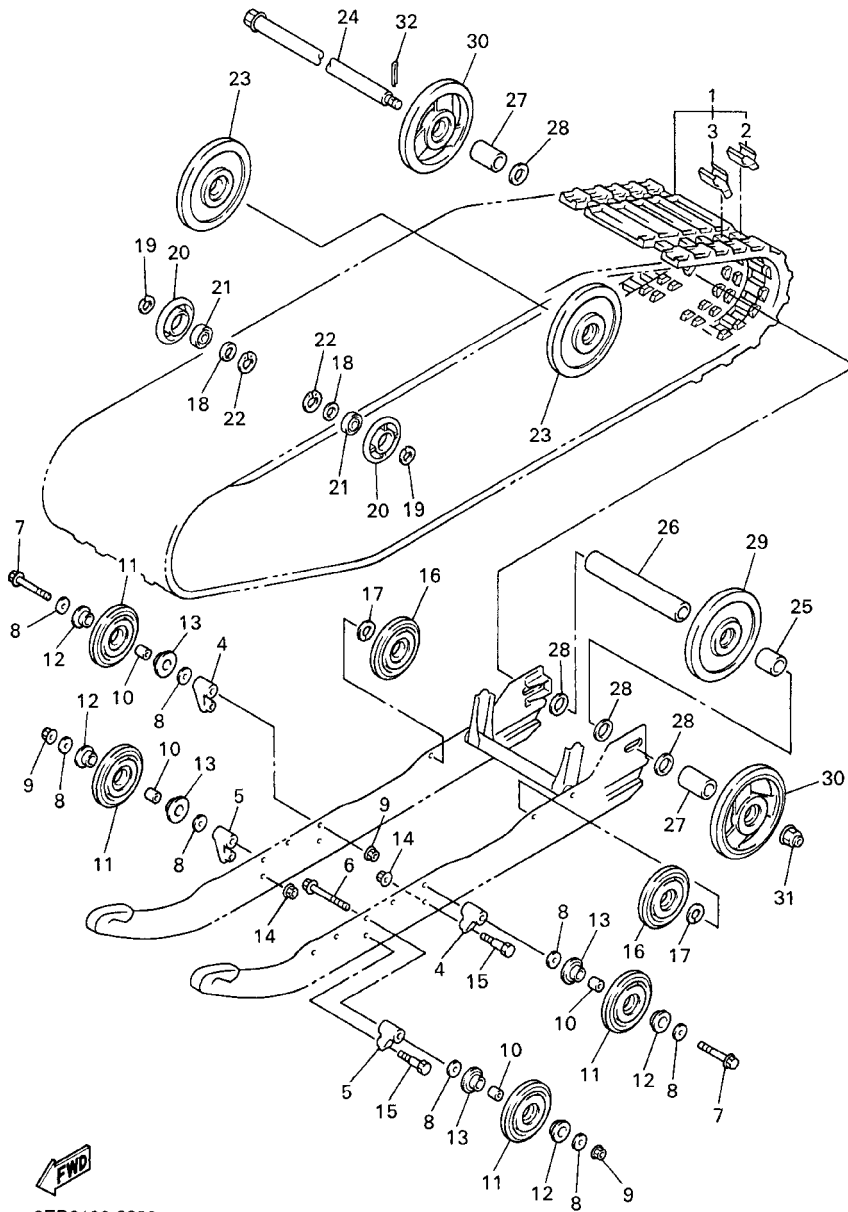


REF. NO.	PART NO.	DESCRIPTION	USA	CAN	EUR	REMARKS
1	8ED-26311-00	CABLE, THROTTLE 1	1	1	1	
2	8M6-26391-01	CLIP, CABLE	1	1	1	
3	8CH-26330-02	STARTER CABLE ASSY	1	1	1	
4	8U9-26325-00	.KNOB, STARTER	1	1	1	
5	91609-30010	.PIN, SPRING	1	1	1	
6	8G8-26333-00	.NUT	1	1	1	
7	8CR-26329-00	.CAP, RUBBER	1	1	1	
8	8DM-26240-00	GRIP ASSY	2	2	2	
9	90267-48014	RIVET, BLIND	2	2	2	
10	90387-220X0	COLLAR	1	1	1	



8ED3100-2220

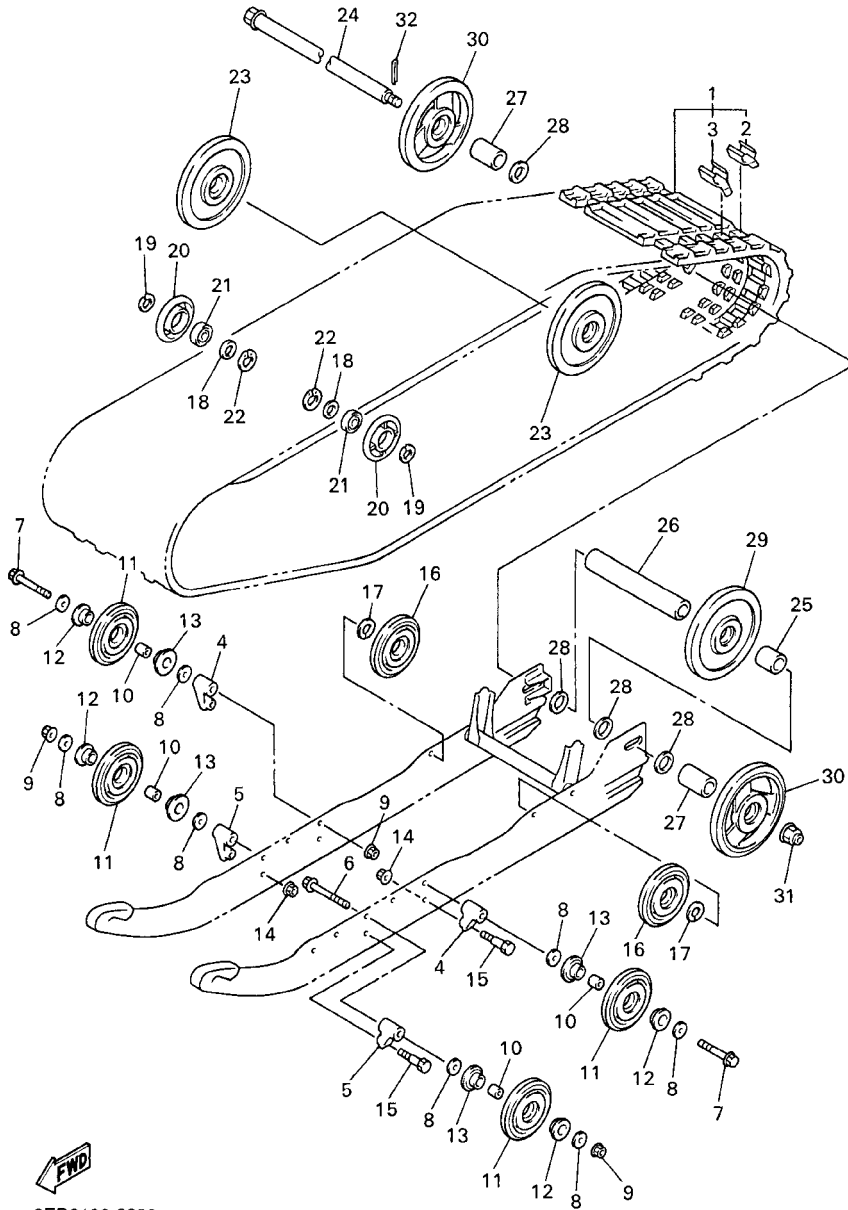
FIG. 23 TRACK SUSPENSION 1



8ED3100-2230

REF. NO.	PART NO.	DESCRIPTION	USA	CAN	EUR	REMARKS
1	8ED-47110-01	TRACK ASSY (H=50 MM)	1	1	1	
	8CC-47110-30	TRACK ASSY (H=28 MM)	1	1	1	AP
2	8EA-47113-00	.PLATE, REINFORCEMENT	56	56	56	
	8CR-47113-00	.PLATE, REINFORCEMENT	56	56	56	AP
3	8EA-47115-30	.METAL, SLIDE	56	56	56	
	8CR-47115-00	.METAL, SLIDE	56	56	56	AP
4	8DF-47419-00	BRACKET 7	2	2	2	
5	8DF-47419-10	BRACKET 7	2	2	2	
6	90105-10392	BOLT, FLANGE	2	2	2	
7	95817-10085	BOLT, FLANGE	2	2	2	
8	90201-100S0	WASHER, PLATE	8	8	8	
9	95607-10200	NUT, SELF-LOCKING	4	4	4	
10	90387-10079	COLLAR	4	4	4	
11	8CR-47310-10	SUSPENSION WHEEL ASSY	4	4	4	
12	8CR-47341-01	SPACER	4	4	4	
	8CR-47341-11	SPACER	4	4	4	
14	95607-08200	NUT, SELF-LOCKING	4	4	4	
15	90101-08774	BOLT	4	4	4	
16	8CR-47310-10	SUSPENSION WHEEL ASSY	2	2	2	
17	99009-25400	CIRCLIP	2	2	2	
18	90387-2004V	COLLAR	2	2	2	
19	99009-20400	CIRCLIP	2	2	2	
20	8H8-47320-00	SUSPENSION WHEEL COMP.	2	2	2	
21	93306-00444	BEARING	2	2	2	
22	99009-42500	CIRCLIP	2	2	2	
23	8CR-47550-00	GUIDE WHEEL ASSY	2	2	2	
24	8L8-47520-02	REAR AXLE COMP.	1	1	1	

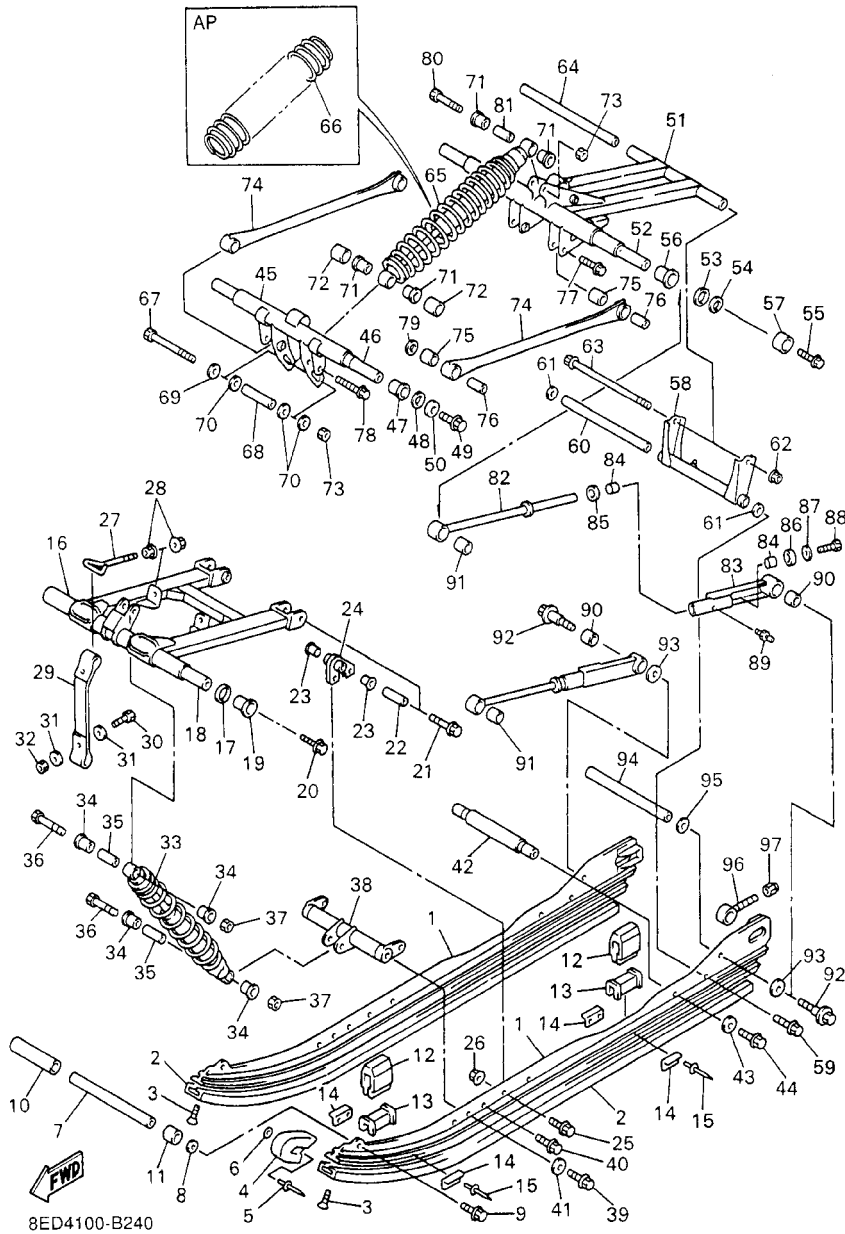
FIG. 23 TRACK SUSPENSION 1



REF. NO.	PART NO.	DESCRIPTION	USA	CAN	EUR	REMARKS
25	90387-2012E	COLLAR	2	2	2	
26	90387-2013L	COLLAR	1	1	1	
27	90387-2012D	COLLAR	2	2	2	
28	90201-205R6	WASHER, PLATE	4	4	4	
29	8CR-47550-10	GUIDE WHEEL ASSY	2	2	2	
30	8DF-47550-01	GUIDE WHEEL ASSY	2	2	2	
31	95607-14200	NUT, SELF-LOCKING	1	1	1	
32	91401-30025	PIN, COTTER	1	1	1	

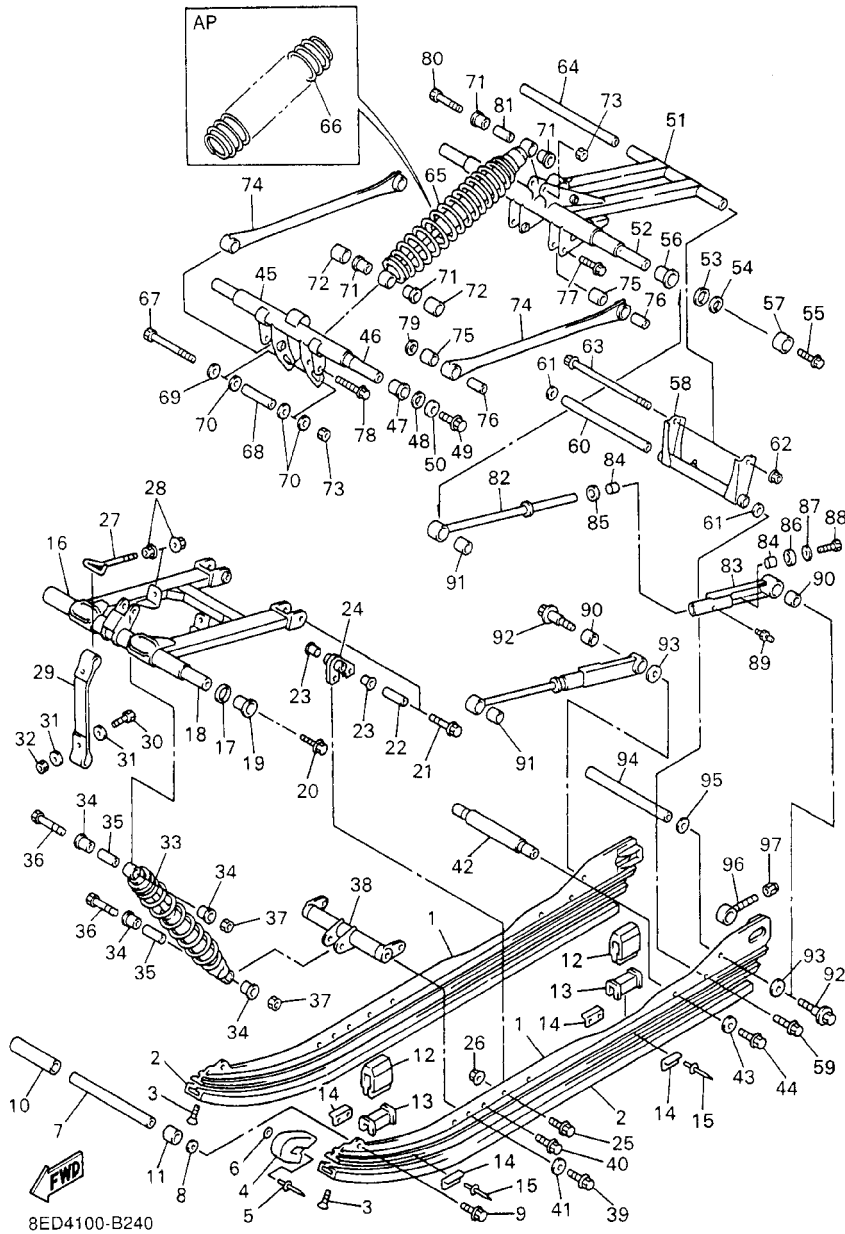
8ED3100-2230

FIG. 24 TRACK SUSPENSION 2



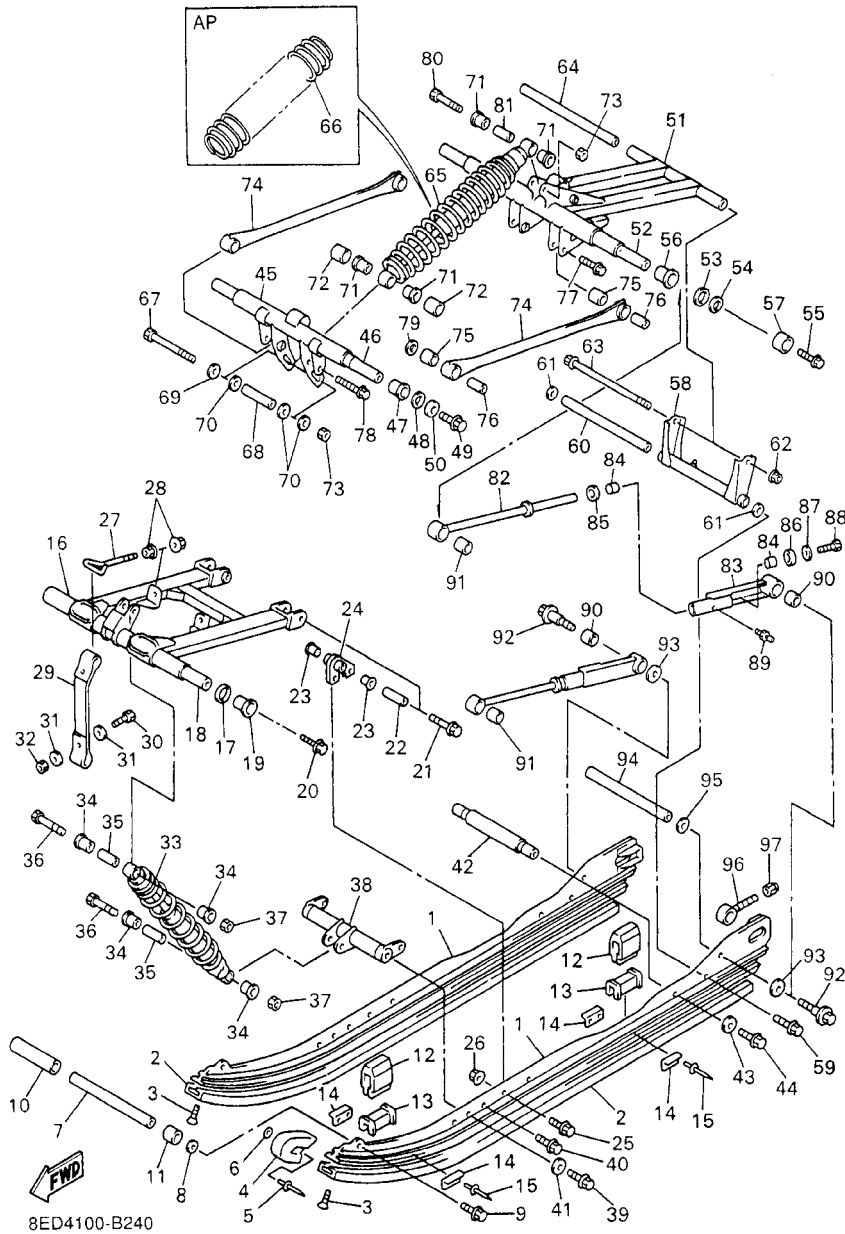
REF. NO.	PART NO.	DESCRIPTION	USA	CAN	EUR	REMARKS
1	8ED-W4741-00	FRAME, SLIDING	2	2	2	
2	8ED-47421-00	RUNNER, SLIDING 1	2	2	2	
3	90151-06010	SCREW, COUNTERSUNK	2	2	2	
4	8ED-47422-00	RUNNER, SLIDING 2	2	2	2	
5	90267-48194	RIVET, BLIND	2	2	2	
6	90201-047R8	WASHER, PLATE	2	2	2	
7	82M-47485-02	SHAFT 3	1	1	1	
8	90201-10126	WASHER, PLATE	2	2	2	
9	90105-10433	BOLT, FLANGE	2	2	2	
10	90387-20002	COLLAR	1	1	1	
11	90387-20003	COLLAR	2	2	2	
12	8CM-47457-00	DAMPER 2	4	4	4	
13	8CM-47341-00	SPACER	4	4	4	
14	8AX-47458-00	PLATE, DAMPER	8	8	8	
15	90267-48199	RIVET, BLIND	8	8	8	
16	8ED-47331-00	ARM, PIVOT 1	1	1	1	
17	90201-210U0	WASHER, PLATE	2	2	2	
18	8CR-47465-00	SHAFT 1	1	1	1	
19	90381-19111	BUSH, SOLID	2	2	2	
20	90105-103A1	BOLT, FLANGE	2	2	2	
21	90105-10769	BOLT, FLANGE	2	2	2	
22	90387-1009T	COLLAR	2	2	2	
23	90381-15112	BUSH, SOLID	4	4	4	
24	8ED-47415-00	BRACKET 1	2	2	2	
25	95817-10025	BOLT, FLANGE	2	2	2	
26	95607-10200	NUT, SELF-LOCKING	2	2	2	
27	8CR-47448-00	HOOK 3	2	2	2	

FIG. 24 TRACK SUSPENSION 2



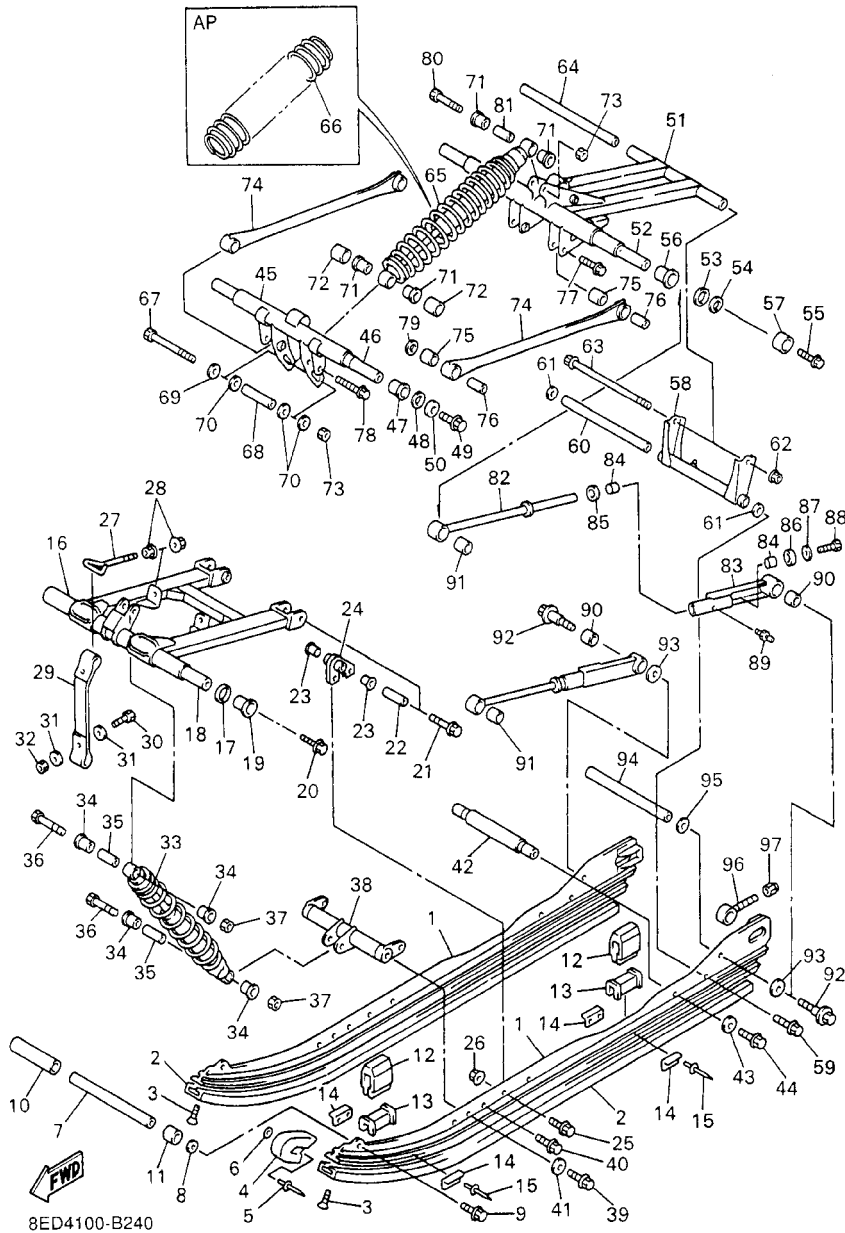
REF. NO.	PART NO.	DESCRIPTION	USA	CAN	EUR	REMARKS
28	95707-08500	NUT, FLANGE	4	4	4	
29	8ED-47495-00	STOPPER 1	2	2	2	
30	97007-06025	BOLT	4	4	4	
31	90201-06747	WASHER, PLATE	8	8	8	
32	95707-06300	NUT, FLANGE	4	4	4	
33	8ED-47481-00	SHOCK ABSORBER 2	1	1	1	
34	90387-145G7	COLLAR	4	4	4	
35	90387-105G5	COLLAR	2	2	2	
36	90101-10738	BOLT	2	2	2	
37	95607-10100	NUT, U	2	2	2	
38	8ED-47418-00	BRACKET 4	1	1	1	
39	90105-10433	BOLT, FLANGE	2	2	2	
40	95817-08020	BOLT, FLANGE	2	2	2	
41	90201-105A2	WASHER, PLATE	2	2	2	
42	8CR-47486-00	SHAFT 4	1	1	1	
43	90201-100L3	WASHER, PLATE	2	2	2	
44	90105-10433	BOLT, FLANGE	2	2	2	
45	8EN-47416-00	BRACKET 2	1	1	1	
46	8CR-47488-00	SHAFT 6	1	1	1	
47	90381-22099	BUSH, SOLID	2	2	2	
48	90201-207J5	WASHER, PLATE	2	2	2	
49	90105-103A1	BOLT, FLANGE	2	2	2	
50	90201-106F2	WASHER, PLATE	2	2	2	
51	8CR-47332-10	ARM, PIVOT 2	1	1	1	
52	8CY-47475-01	SHAFT 2	1	1	1	
53	90201-251G8	WASHER, PLATE	2	2	2	
54	90201-250T6	WASHER, PLATE	2	2	2	

FIG. 24 TRACK SUSPENSION 2



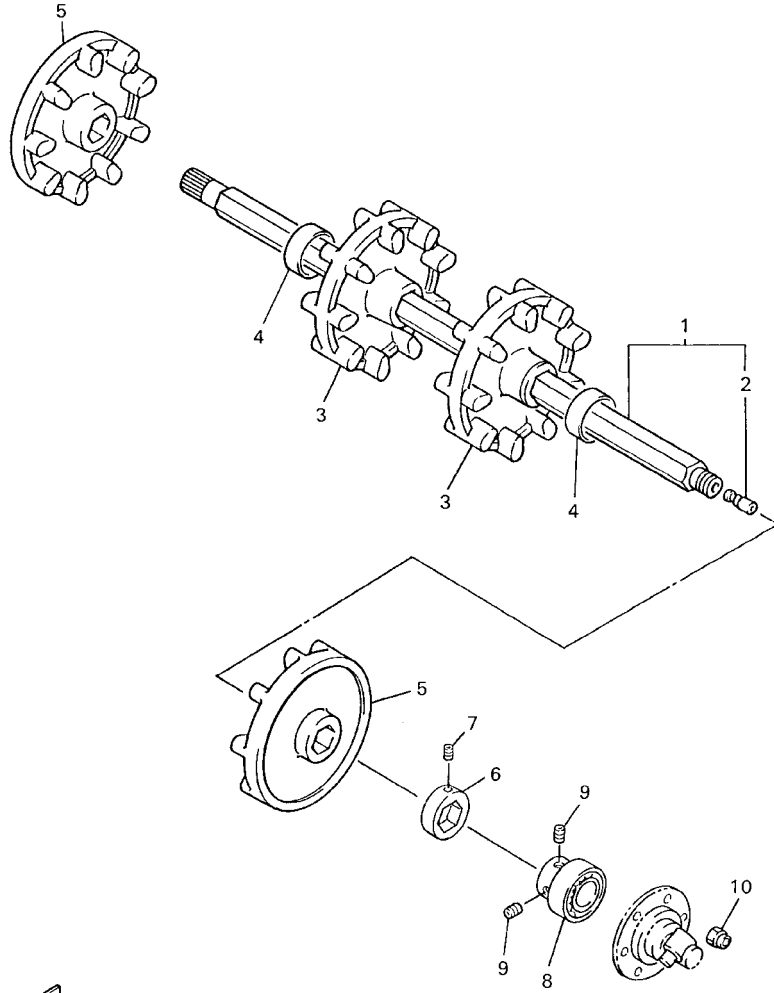
REF. NO.	PART NO.	DESCRIPTION	USA	CAN	EUR	REMARKS
55	90105-103A1	BOLT, FLANGE	2	2	2	
56	90381-28108	BUSH, SOLID	2	2	2	
57	90387-2510A	COLLAR	2	2	2	
58	8ED-47417-01	BRACKET 3	1	1	1	
59	90105-10433	BOLT, FLANGE	2	2	2	
60	82M-47485-02	SHAFT 3	1	1	1	
61	90201-10136	WASHER, PLATE	2	2	2	
62	95607-08200	NUT, SELF-LOCKING	1	1	1	
63	95827-08220	BOLT, FLANGE	1	1	1	
64	90387-083G6	COLLAR	1	1	1	
65	8ED-47480-00	SHOCK ABSORBER	1	1	1	
66	8CW-47489-00	SPRING 1 (K=3.5-5.3)	1	1	1	AP
	8CS-47489-00	SPRING 1 (K=3.0-5.0)	1	1	1	AP
67	8AC-4631K-00	BOLT, ADJUSTING	1	1	1	
68	90387-1009S	COLLAR	1	1	1	
69	90201-103U4	WASHER, PLATE	1	1	1	
70	90201-100U1	WASHER, PLATE	3	3	3	
71	90381-14101	BUSH, SOLID	4	4	4	
72	90387-1404R	COLLAR	2	2	2	
73	95607-10100	NUT, U	2	2	2	
74	8CR-47494-01	ROD, RELAY	2	2	2	
75	90381-14109	BUSH, SOLID	4	4	4	
76	90387-100X3	COLLAR	4	4	4	
77	90105-10739	BOLT, FLANGE	2	2	2	
78	90105-10436	BOLT, FLANGE	2	2	2	
79	90201-100U1	WASHER, PLATE	2	2	2	
80	90101-10738	BOLT	1	1	1	

FIG. 24 TRACK SUSPENSION 2



REF. NO.	PART NO.	DESCRIPTION	USA	CAN	EUR	REMARKS
81	90387-105G5	COLLAR	1	1	1	
82	8ED-4745A-00	ROD, CONTROL 1	2	2	2	
83	8CR-4745B-00	ROD, CONTROL 2	2	2	2	
84	90384-16251	BUSH, BIMETAL FORMED	4	4	4	
85	90202-16229	WASHER, PLATE	2	2	2	
86	90202-16231	WASHER, PLATE	2	2	2	
87	90201-106F2	WASHER, PLATE	2	2	2	
88	97027-10025	BOLT	2	2	2	
89	93700-06004	NIPPLE, GREASE	2	2	2	
90	90380-22232	BUSH, SOLID	2	2	2	
91	90380-28235	BUSH, SOLID	2	2	2	
92	8DF-47367-00	SCREW, REAR PIVOT	2	2	2	
93	90201-100S2	WASHER, PLATE	2	2	2	
94	82M-47485-02	SHAFT 3	1	1	1	
95	90201-10136	WASHER, PLATE	2	2	2	
96	8K2-47479-01	COLLAR 3	2	2	2	
97	95707-10300	NUT, FLANGE	2	2	2	

FIG. 25 TRACK DRIVE 1

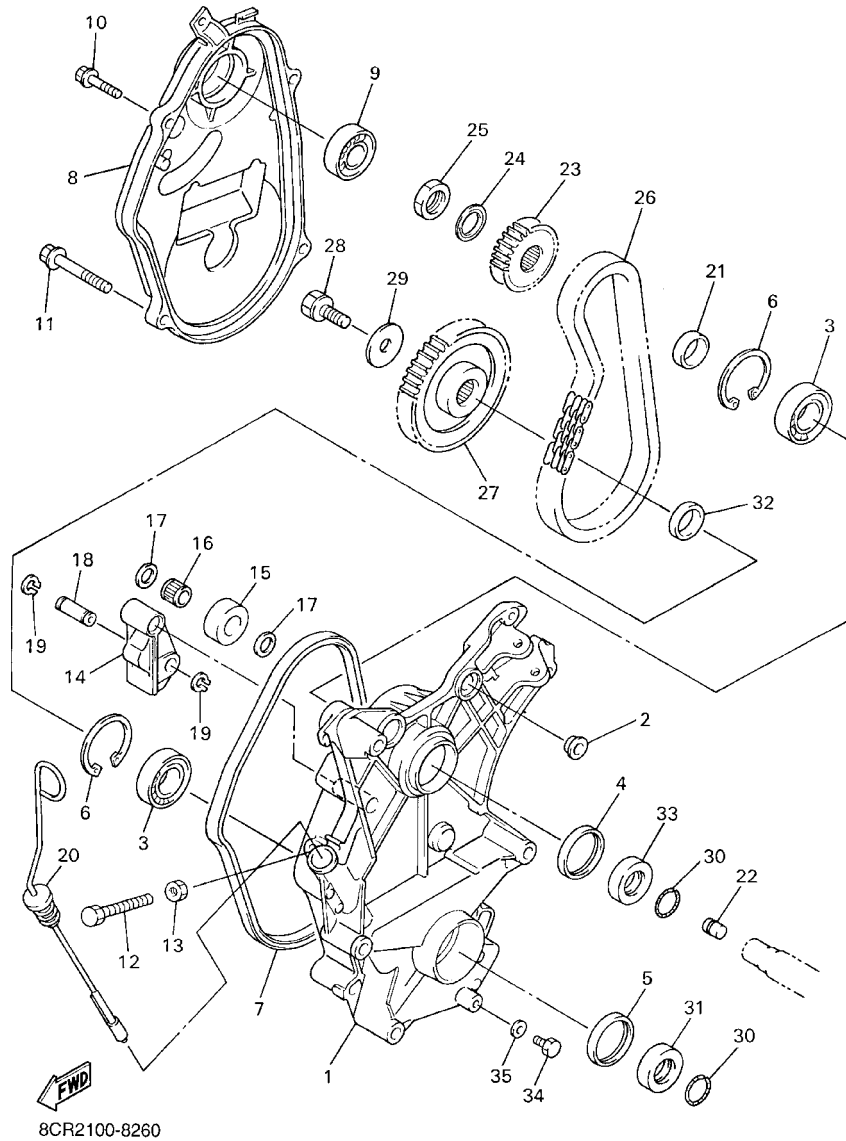


REF. NO.	PART NO.	DESCRIPTION	USA	CAN	EUR	REMARKS
1	8CR-W4751-01	AXLE, FRONT	1	1	1	
2	8K4-47577-00	.CONNECTOR	1	1	1	
3	8BF-W4753-00	WHEEL, SPROCKET 1	2	2	2	
4	90387-514Y2	.COLLAR	1	1	1	
5	8DP-47532-00	WHEEL, SPROCKET 2	2	2	2	
6	8BW-47526-00	COLLAR	2	2	2	
7	90113-06039	BOLT, SET	2	2	2	
8	93306-20589	BEARING	1	1	1	
9	90113-06064	BOLT, SET	2	2	2	
10	95707-08300	NUT, FLANGE	3	3	3	



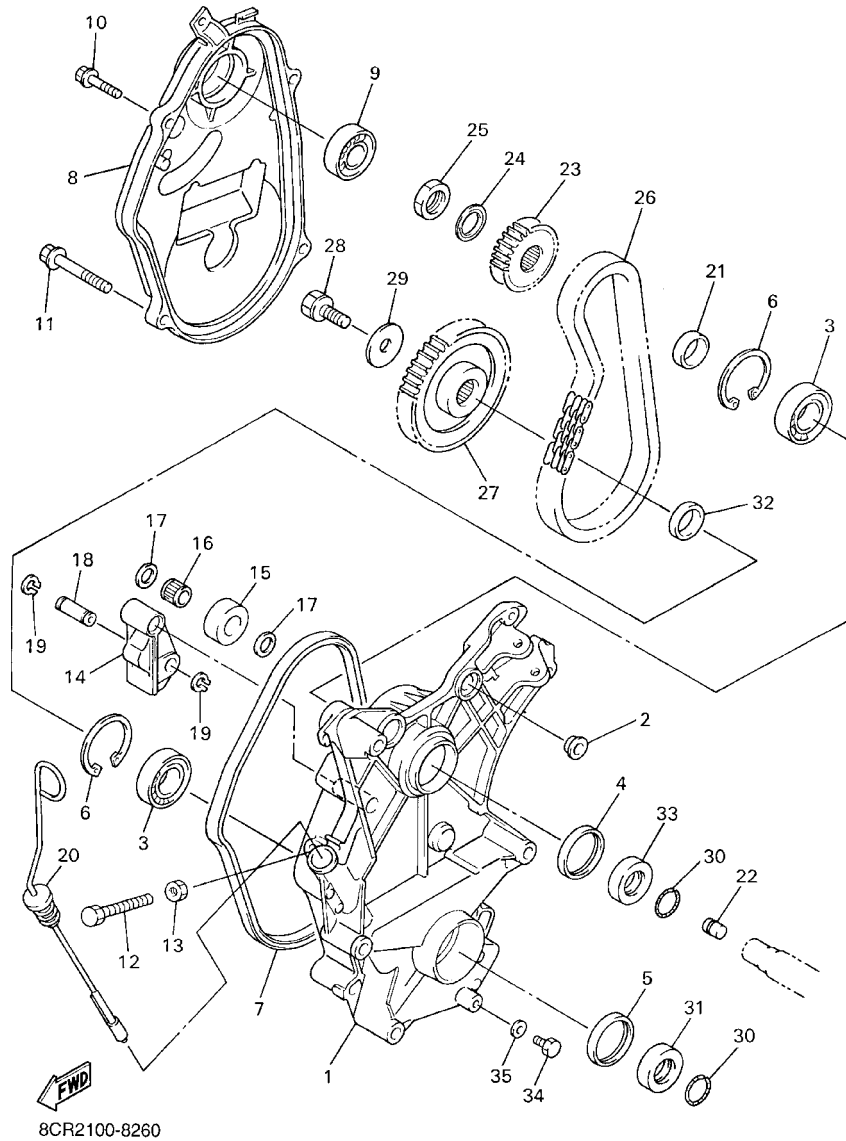
8CP3100-9250

FIG. 26 TRACK DRIVE 2



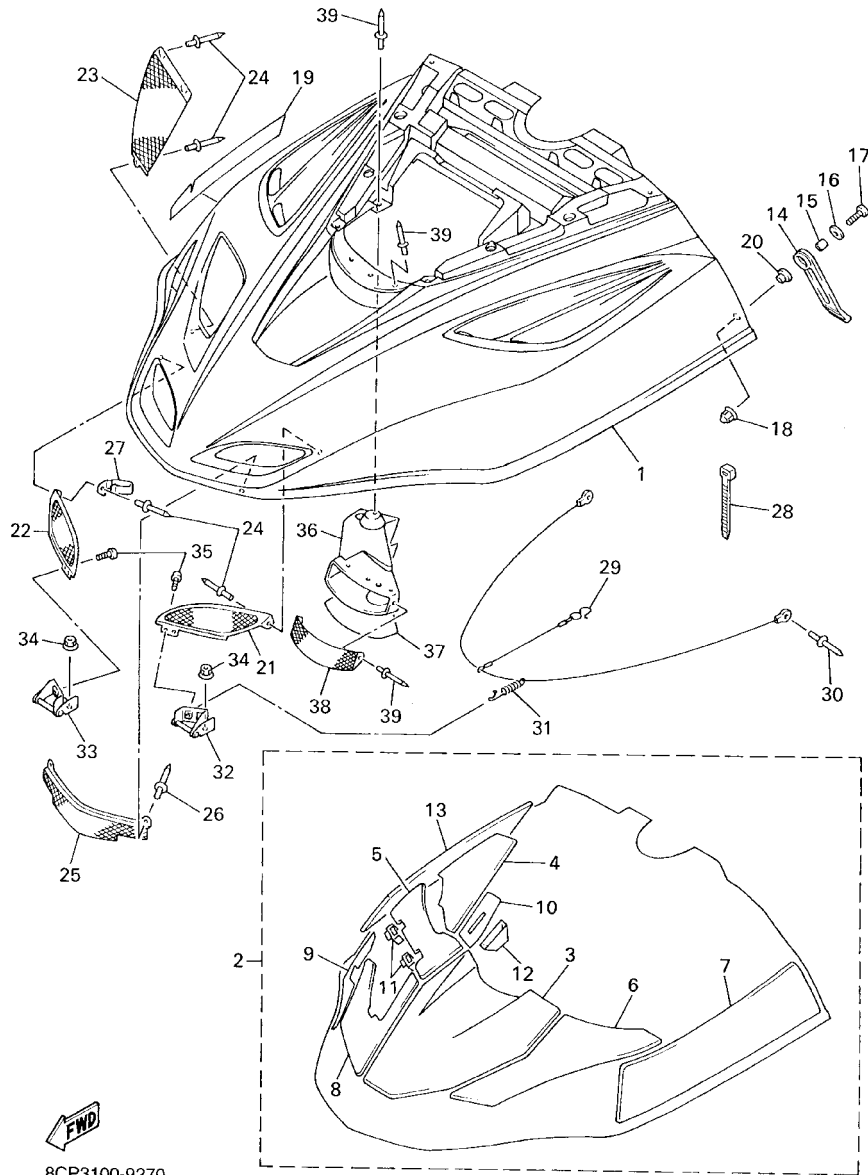
REF. NO.	PART NO.	DESCRIPTION	USA	CAN	EUR	REMARKS
1	8CR-47541-01	HOUSING, CHAIN	1	1	1	
2	90179-10679	NUT	2	2	2	
3	93306-20592	BEARING	2	2	2	
4	93102-35473	OIL SEAL	1	1	1	
5	93102-35318	OIL SEAL	1	1	1	
6	99009-52500	CIRCLIP	2	2	2	
7	8CR-47558-01	RING, HOUSING	1	1	1	
8	8CR-47543-01	CAP, HOUSING	1	1	1	
9	93306-20402	BEARING (B6204JRC3)	1	1	1	
10	95827-08030	BOLT, FLANGE	4	4	4	
11	95827-10060	BOLT, FLANGE	3	3	3	
12	90101-10357	BOLT	1	1	1	
13	95307-10600	NUT	1	1	1	
14	8CR-47613-00	HOLDER	1	1	1	
15	8CR-47612-00	WHEEL	1	1	1	
16	93315-21227	BEARING	1	1	1	
17	90201-127E1	WASHER, PLATE	2	2	2	
18	90249-12227	PIN	1	1	1	
19	99009-12400	CIRCLIP	2	2	2	
20	8CR-47546-00	LEVEL, OIL	1	1	1	
21	90387-2508D	COLLAR	1	1	1	
22	82M-17699-00	PLUG, OIL	1	1	1	
23	89J-17682-10	SPROCKET, CHAIN DRIVE (21T)	1	1	1	
24	90208-22001	WASHER, CONICAL SPRING	1	1	1	
25	90170-22094	NUT	1	1	1	
26	94860-02070	CHAIN (70L)	1	1	1	
27	89J-47587-00	SPROCKET, CHAIN DRIVEN (40T)	1	1	1	

FIG. 26 TRACK DRIVE 2



REF. NO.	PART NO.	DESCRIPTION	USA	CAN	EUR	REMARKS
28	90105-10751	BOLT, FLANGE	1	1	1	
29	90201-10321	WASHER, PLATE	1	1	1	
30	93210-25071	O-RING	2	2	2	
31	90387-2508C	COLLAR	1	1	1	
32	90387-2508B	COLLAR	1	1	1	
33	90387-2511J	COLLAR	1	1	1	
34	97007-08014	BOLT	1	1	1	
35	90210-08017	WASHER, SEAL	1	1	1	

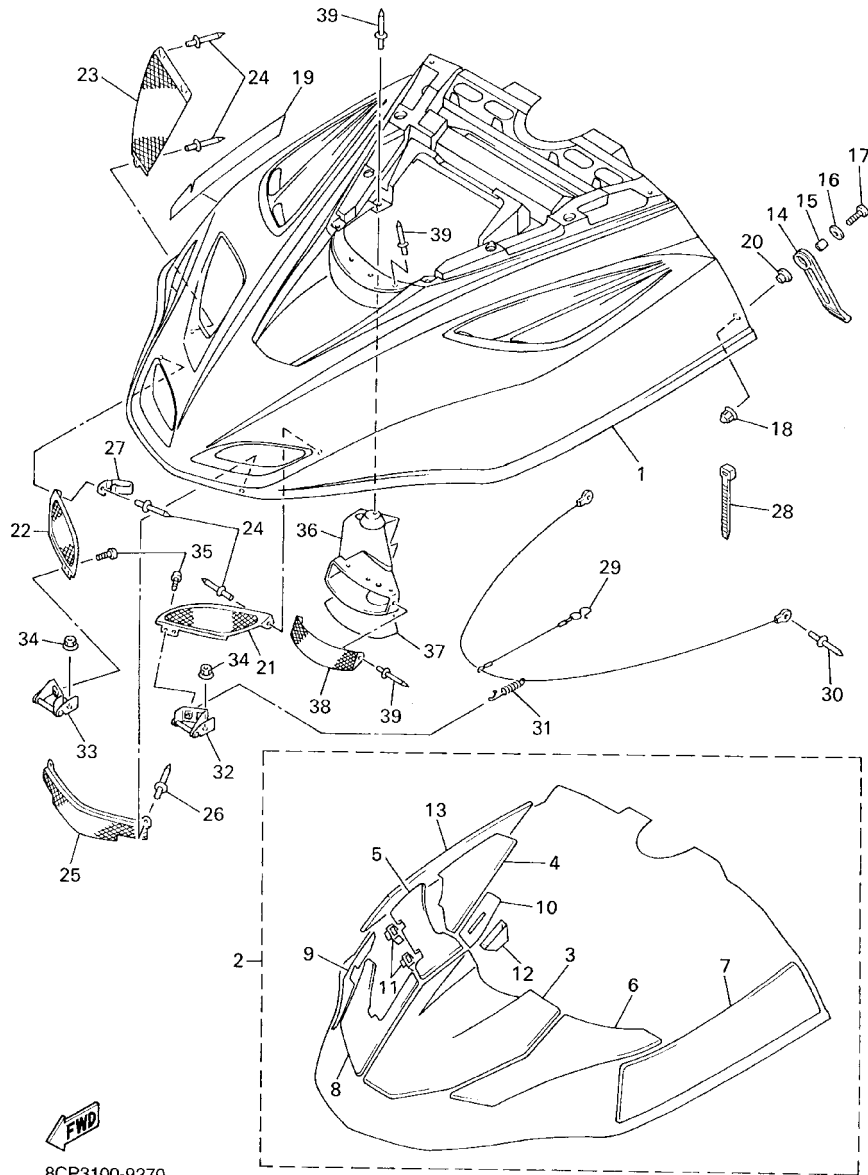
FIG. 27 SHROUD



8CP3100-9270

REF. NO.	PART NO.	DESCRIPTION	USA	CAN	EUR	REMARKS
1	8EJ-77111-00	SHROUD	1	1	1	
2	8CR-W7726-00	LINING SET	1	1	1	
3	8CR-77272-00	.DAMPER, NOISE 12	1	1	1	
4	8CR-77273-00	.DAMPER, NOISE 13	1	1	1	
5	8CR-77274-00	.DAMPER, NOISE 14	1	1	1	
6	8CR-77275-00	.DAMPER, NOISE 15	1	1	1	
7	8CR-77276-00	.DAMPER, NOISE 16	1	1	1	
8	8CR-77278-00	.DAMPER, NOISE 18	1	1	1	
9	8CR-7717E-00	.TAPE 1	1	1	1	
10	8CR-7717F-00	.TAPE 2	1	1	1	
11	8CR-7717G-00	.TAPE 3	2	2	2	
12	8CR-7717H-00	.TAPE 4	1	1	1	
13	8CR-2199H-00	.SHIELD, HEAT	1	1	1	
14	8V0-77171-00	BODY, LATCH 1	2	2	2	
15	90387-06241	COLLAR	2	2	2	
16	90201-06557	WASHER, PLATE	2	2	2	
17	90154-06078	SCREW, BINDING	2	2	2	
18	90176-06055	NUT, CROWN	2	2	2	
19	8CS-7717J-00	TAPE,5	1	1	1	
20	90387-062M9	COLLAR	2	2	2	
21	8CR-77131-00	LOUVER 1	1	1	1	
22	8CR-77132-00	LOUVER 2	1	1	1	
23	8CR-77133-00	LOUVER 3	1	1	1	
24	90267-48182	RIVET, BLIND	5	5	5	
25	8CR-77134-00	LOUVER 4	1	1	1	
26	90267-48059	RIVET, BLIND	2	2	2	
27	90465-08368	CLAMP	1	1	1	

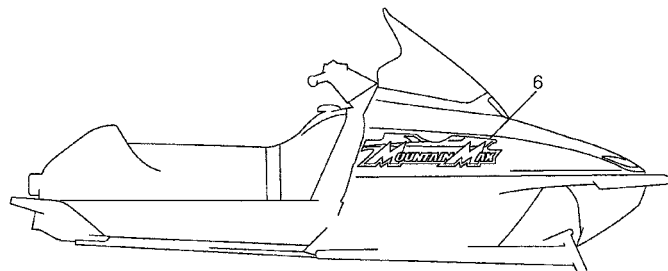
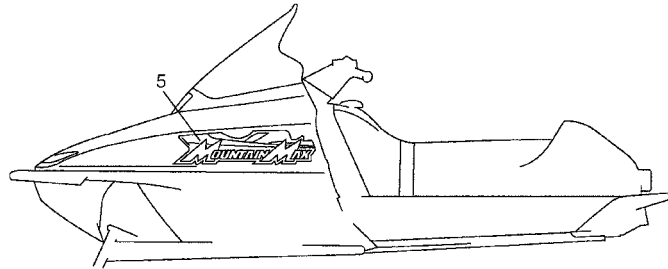
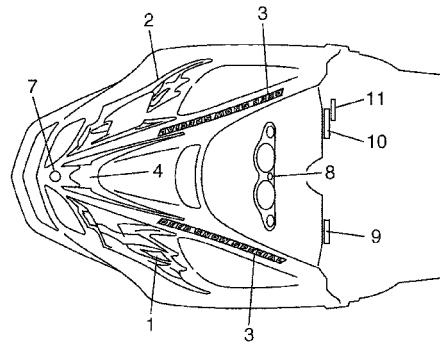
FIG. 27 SHROUD



8CP3100-9270

REF. NO.	PART NO.	DESCRIPTION	USA	CAN	EUR	REMARKS
28	90464-13077	CLAMP	2	2	2	
29	8CR-77118-00	STOPPER, SHROUD	1	1	1	
30	90267-48141	RIVET, BLIND	2	2	2	
31	89A-77159-00	CLAMP, ROD	1	1	1	
32	8CR-77140-00	HINGE ASSY	1	1	1	
33	8CR-7714A-00	HINGE ASSY 2	1	1	1	
34	95707-06500	NUT, FLANGE	4	4	4	
35	98907-06014	SCREW, BIND	4	4	4	
36	8CR-77194-00	DUCT	1	1	1	
37	8CR-77277-00	DAMPER, NOISE 17	1	1	1	
38	8CR-77109-00	LOUVER 5	1	1	1	
39	90267-48182	RIVET, BLIND	6	6	6	

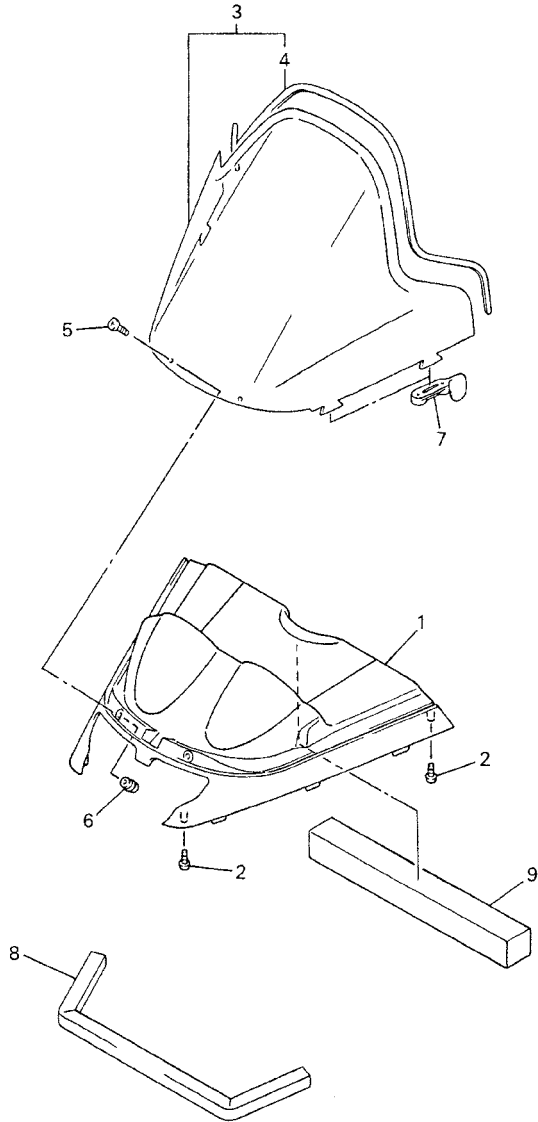
FIG. 28 EMBLEM



8ED4100-B280

REF. NO.	PART NO.	DESCRIPTION	USA	CAN	EUR	REMARKS
1	8DM-7711A-20	GRAPHIC 1	1	1	1	
2	8DM-7711B-20	GRAPHIC 2	1	1	1	
3	8ED-7714B-11	EMBLEM 4	2	2	2	
4	8ED-7711E-00	GRAPHIC 5	1	1	1	
5	8ED-7711C-10	GRAPHIC 3	1	1	1	
6	8ED-7711D-10	GRAPHIC 4	1	1	1	
7	8AC-2414B-01	EMBLEM	1	1	1	
8	4XV-2341B-00	EMBLEM	1	1	1	
9	8EK-77761-E0	LABEL, WARNING 1	1	1		
	8EK-77761-S0	LABEL, WARNING 1			1	
10	8ED-77761-00	LABEL, WARNING 1	1	1		
	8ED-77761-30	LABEL, WARNING 1			1	
11	8ED-2191H-E0	LABEL, CAUTION	1	1		
	8ED-2191H-S0	LABEL, CAUTION			1	

FIG. 29 WINDSHIELD

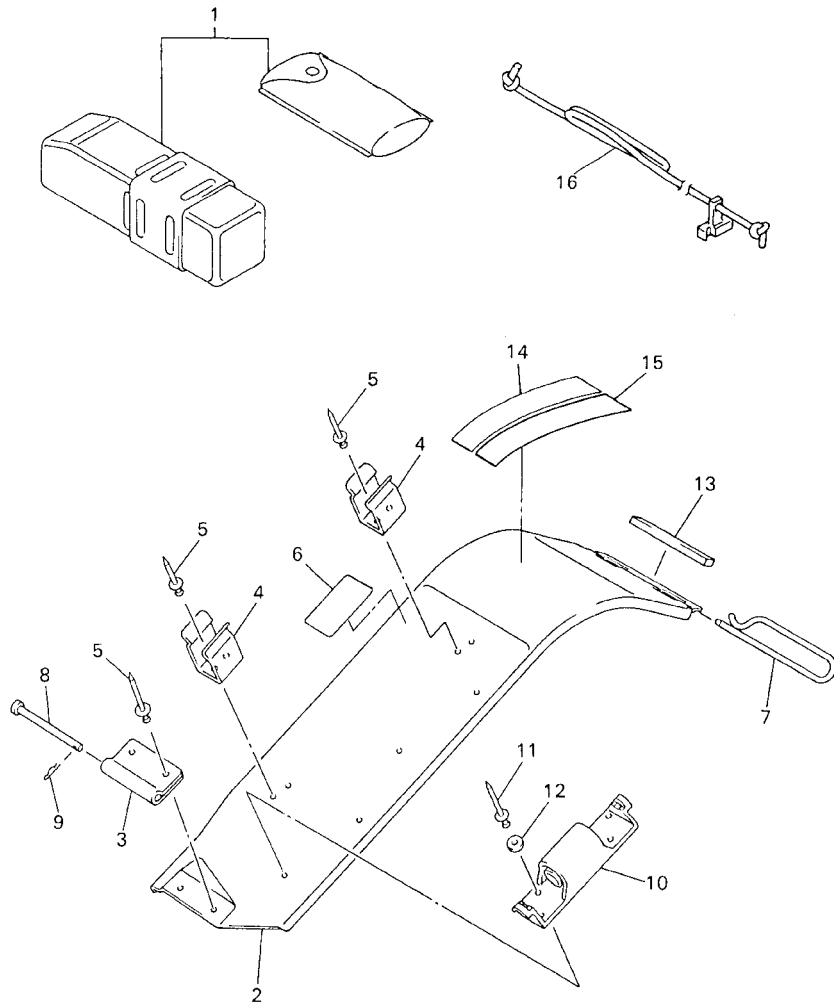


REF. NO.	PART NO.	DESCRIPTION	USA	CAN	EUR	REMARKS
1	8DN-77251-20	COVER, HEADLIGHT	1	1	1	
2	97707-50016	SCREW, TAPPING	8	8	8	
3	8DS-77210-10	WINDSHIELD COMP.	1	1	1	
4	8CR-77213-00	.TRIM, UPPER	1	1	1	
5	90150-05024	SCREW, ROUND HEAD	2	2	2	
6	90179-05523	NUT	2	2	2	
7	82H-77223-00	FASTNER	4	4	4	
8	8CR-77279-00	DAMPER, NOISE 19	1	1	1	
9	8CR-2199J-00	SHIELD, NOISE 2	1	1	1	



8ED4100-B290

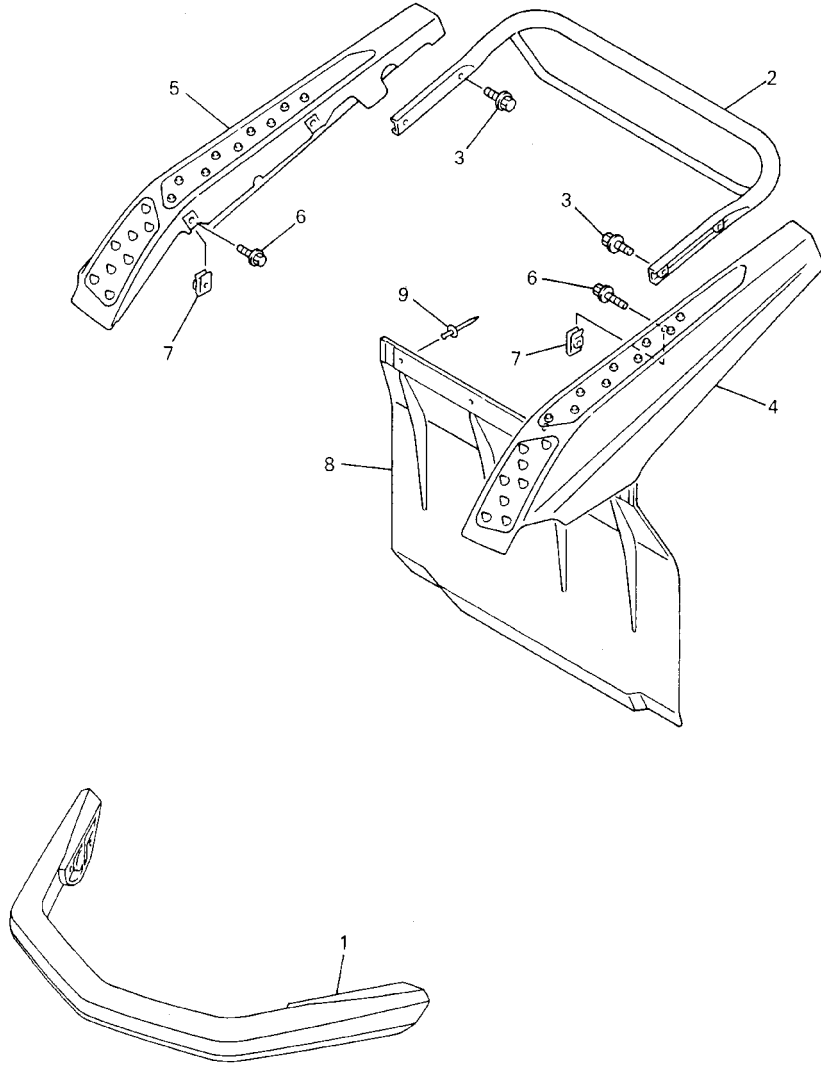
FIG. 30 GUARD, LUGGAGE BOX



FWD
8ED2100-1300

REF. NO.	PART NO.	DESCRIPTION	USA	CAN	EUR	REMARKS
1	8DF-28100-00	TOOL KIT	1	1	1	
2	8CR-77311-10	GUARD, DRIVE	1	1	1	
3	8CR-77315-00	BRACKET 1	1	1	1	
4	8CR-77338-00	STAY, BELT	2	2	2	
5	90267-48177	RIVET, BLIND	6	6	6	
6	8BD-77762-00	LABEL, WARNING 2	1	1		
	86D-77762-00	LABEL, WARNING 2			1	
7	8CR-77384-00	PIN	1	1	1	
8	91701-06082	PIN, CLEVIS	1	1	1	
9	90468-18121	CLIP	1	1	1	
10	8CR-77378-00	PLUG HOLDER ASSY	2	2	2	
11	90267-48060	RIVET, BLIND	4	4	4	
12	90201-057H5	WASHER, PLATE	4	4	4	
13	8CR-77319-00	DAMPER 1	1	1	1	
14	8CH-1417E-00	LABEL, CAUTION	1	1	1	
15	8CS-47578-00	LABEL 1	1	1	1	
16	8R4-15780-00	EMERGENCY STARTER ROPE ASSY	1	1	1	

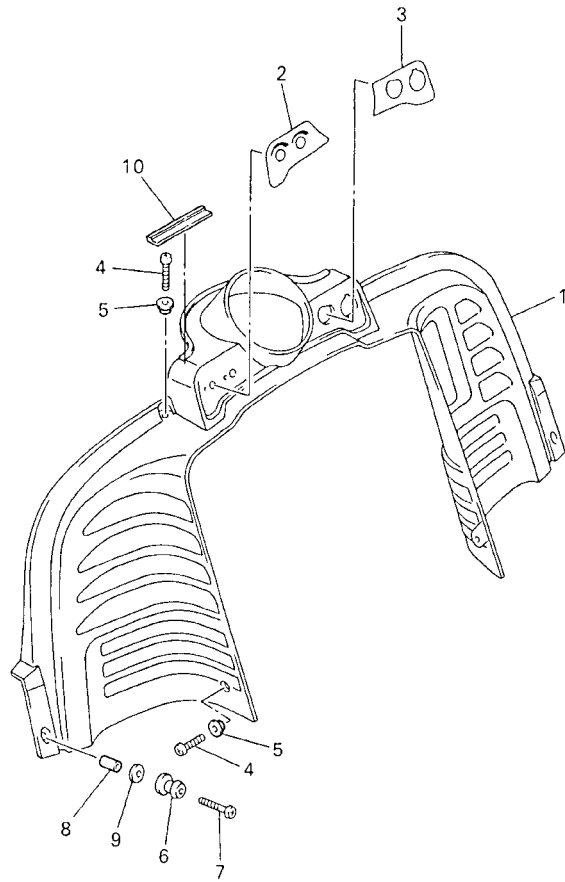
FIG. 31 BUMPER



8ED1100-0310

REF. NO.	PART NO.	DESCRIPTION	USA	CAN	EUR	REMARKS
1	8CR-77511-00	BUMPER, FRONT 1	1	1	1	
2	8ED-77541-00	BUMPER, REAR 1	1	1	1	
3	95027-08016	BOLT, FLANGE	4	4	4	
4	8ED-77542-01	BUMPER, REAR 2	1	1	1	
5	8ED-77543-01	BUMPER, REAR 3	1	1	1	
6	95807-06016	BOLT, FLANGE	4	4	4	
7	90183-06053	NUT, SPRING	4	4	4	
8	8ED-77595-00	FLAP	1	1	1	
9	90267-47187	RIVET, BLIND	4	4	4	

FIG. 32 INSTRUMENT PANEL

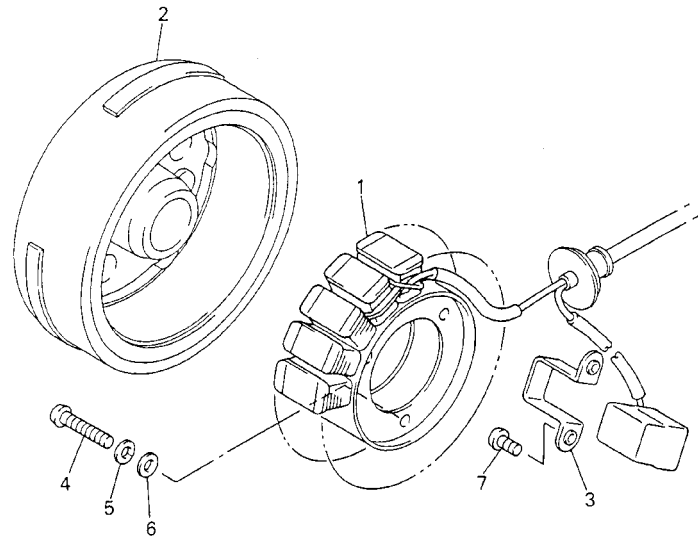


REF. NO.	PART NO.	DESCRIPTION	USA	CAN	EUR	REMARKS
			1	1	1	
1	8DM-77711-00	PANEL, INSTRUMENT	1	1	1	
2	8DM-77741-00	INDICATOR 1	1	1	1	
3	8DM-77742-00	INDICATOR 2	1	1	1	
4	98907-06012	SCREW, BIND	4	4	4	
5	90387-0611K	COLLAR	4	4	4	
6	8M6-77175-00	HOLDER, LATCH	2	2	2	
7	90154-06077	SCREW, BINDING	2	2	2	
8	90387-064W3	COLLAR	2	2	2	
9	90201-06071	WASHER, PLATE	2	2	2	
10	8CR-2196T-00	TRIM 1	2	2	2	

 8ED3100-2320

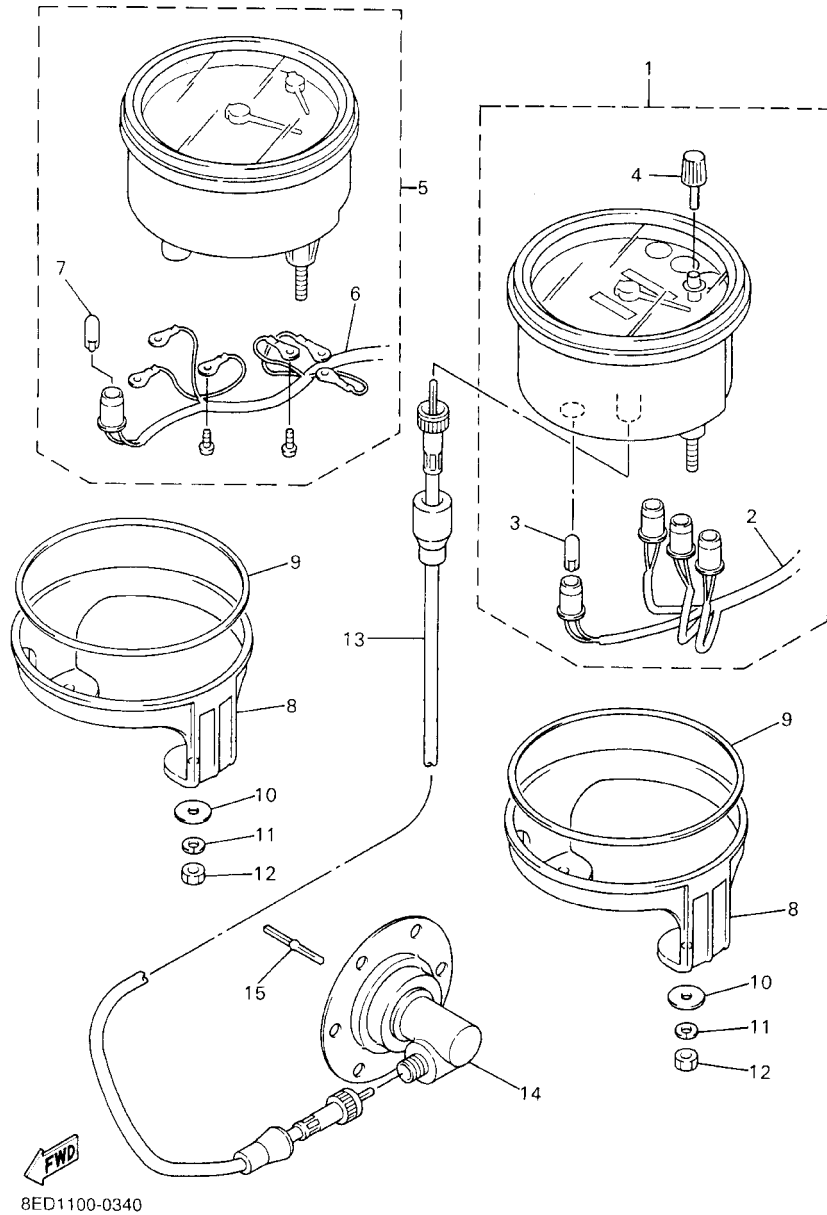
FIG. 33 GENERATOR

REF. NO.	PART NO.	DESCRIPTION	USA	CAN	EUR	REMARKS
1	8DM-81410-00	STATOR ASSY	1	1	1	
2	8DM-81450-00	ROTOR ASSY	1	1	1	
3	90465-10385	CLAMP	1	1	1	
4	98507-06030	SCREW	3	3	3	
5	92907-06100	WASHER, SPRING	3	3	3	
6	92907-06600	WASHER, PLATE	3	3	3	
7	98507-05014	SCREW	2	2	2	



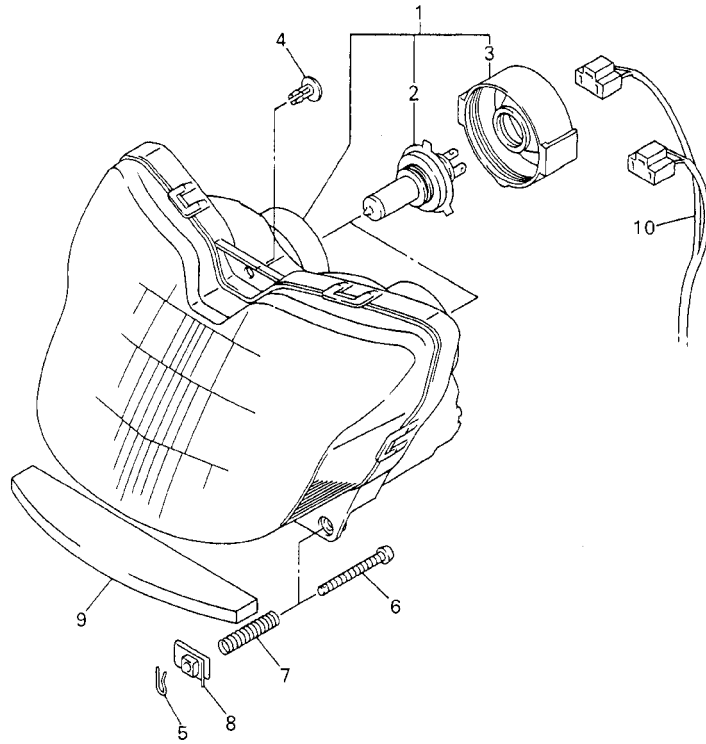
8ED3100-2330

FIG. 34 METER



REF. NO.	PART NO.	DESCRIPTION	USA	CAN	EUR	REMARKS
1	8DF-83510-40	SPEEDOMETER ASSY (MILE/H)	1			
	8DF-83510-20	SPEEDOMETER ASSY (KM/H)		1	1	
2	8DF-83509-50	.SOCKET CORD ASSY	1	1	1	
3	1YT-83517-00	.BULB (12V-1.7W T10)	4	4	4	
4	8DF-83578-00	.KNOB, TRIP METER	1	1	1	
5	8DM-83540-00	TACHOMETER ASSY	1	1	1	
6	8DF-83509-00	.SOCKET CORD ASSY	1	1	1	
7	1YT-83517-00	.BULB (12V-1.7W T10)	1	1	1	
8	8DF-83519-40	BRACKET, METER	2	2	2	
9	8DF-83523-40	DAMPER	2	2	2	
10	90201-06057	WASHER, PLATE	4	4	4	
11	92907-06100	WASHER, SPRING	4	4	4	
12	95307-06600	NUT	4	4	4	
13	8CR-83550-10	SPEEDOMETER CABLE ASSY	1	1	1	
14	8DP-47700-00	METER GEAR HOUSING COMP.	1	1	1	
15	8K4-47715-00	JOINT	1	1	1	

FIG. 35 HEADLIGHT

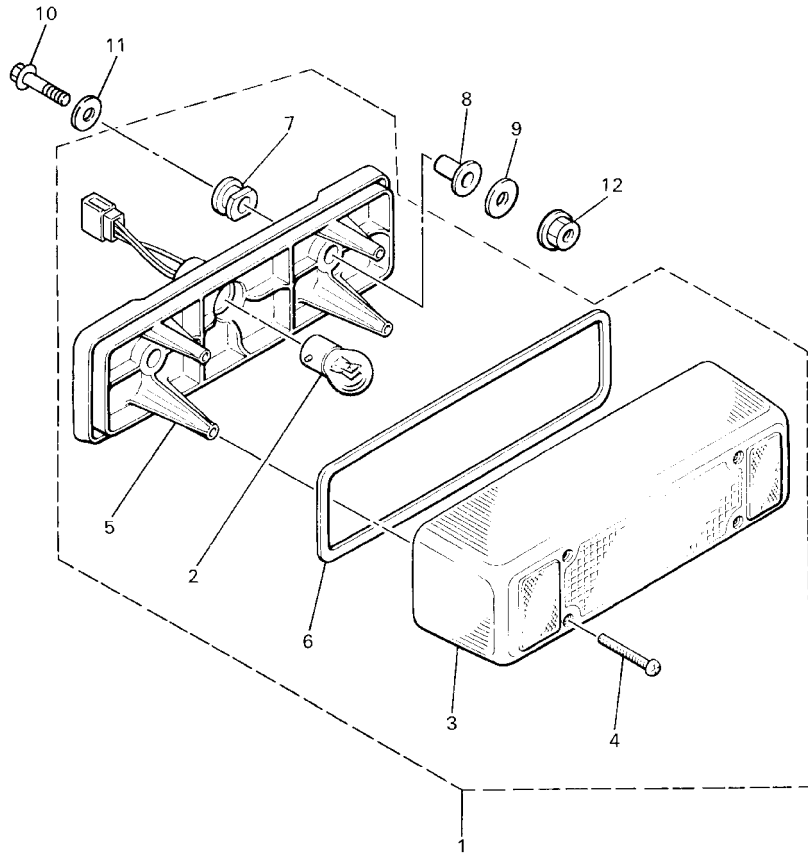


REF. NO.	PART NO.	DESCRIPTION	USA	CAN	EUR	REMARKS
1	8DN-84310-01	HEADLIGHT UNIT ASSY	1	1	1	
2	8G9-84314-00	.BULB (12V-60/55W)	2	2	2	(H4)HALOGEN
3	8DN-84397-01	.COVER, SOCKET	2	2	2	
4	90269-06046	RIVET	1	1	1	
5	8K4-84374-00	CLIP	2	2	2	
6	8A5-84331-00	SCREW, RIM ADJUSTING	2	2	2	
7	8A5-84332-00	SPRING, SCREW	2	2	2	
8	90183-05024	NUT, SPRING	2	2	2	
9	8DS-84366-00	DAMPER, HEADLIGHT 1	1	1	1	
10	8DM-84359-00	CORD, HEADLIGHT	1	1	1	



8ED3100-2350

FIG. 36 TAILLIGHT

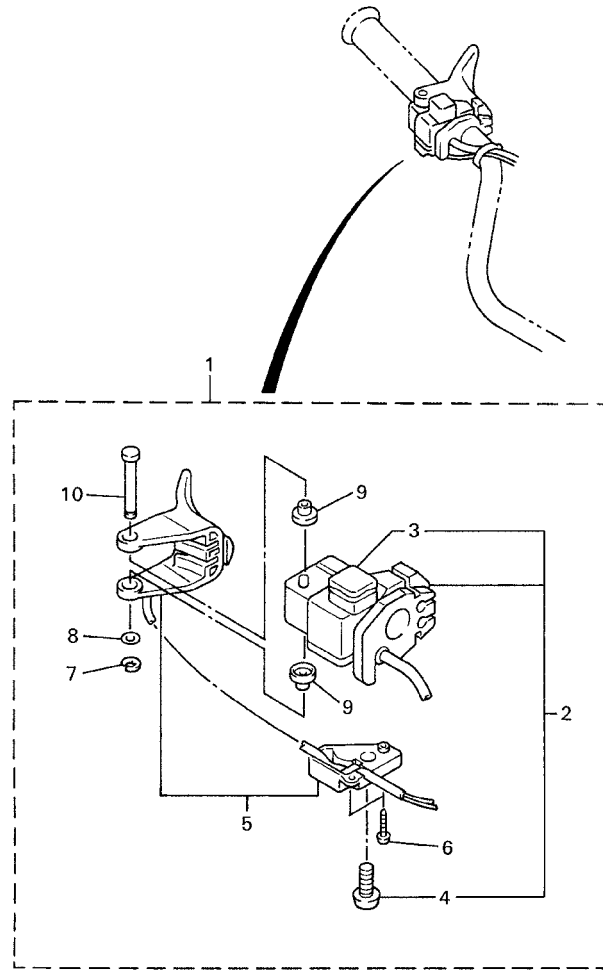


REF. NO.	PART NO.	DESCRIPTION	USA	CAN	EUR	REMARKS
1	82M-84710-00	TAILLIGHT UNIT ASSY	1	1	1	
2	838-84714-01	.BULB (12V-23/8W)	1	1	1	
3	8K4-84721-00	.LENS, TAILLIGHT	1	1	1	
4	97701-40130	.SCREW, PANHEAD TAPPING	4	4	4	
5	82M-84711-00	.BASE, TAILLIGHT	1	1	1	
6	87M-84723-00	.GASKET, TAIL LENS	1	1	1	
7	8K4-84718-00	.GROMMET	1	1	1	
8	90387-066N1	COLLAR	2	2	2	
9	90201-06747	WASHER, PLATE	2	2	2	
10	97007-06040	BOLT	2	2	2	
11	90201-06072	WASHER, PLATE	2	2	2	
12	95707-06500	NUT, FLANGE	2	2	2	



8CR100-7360

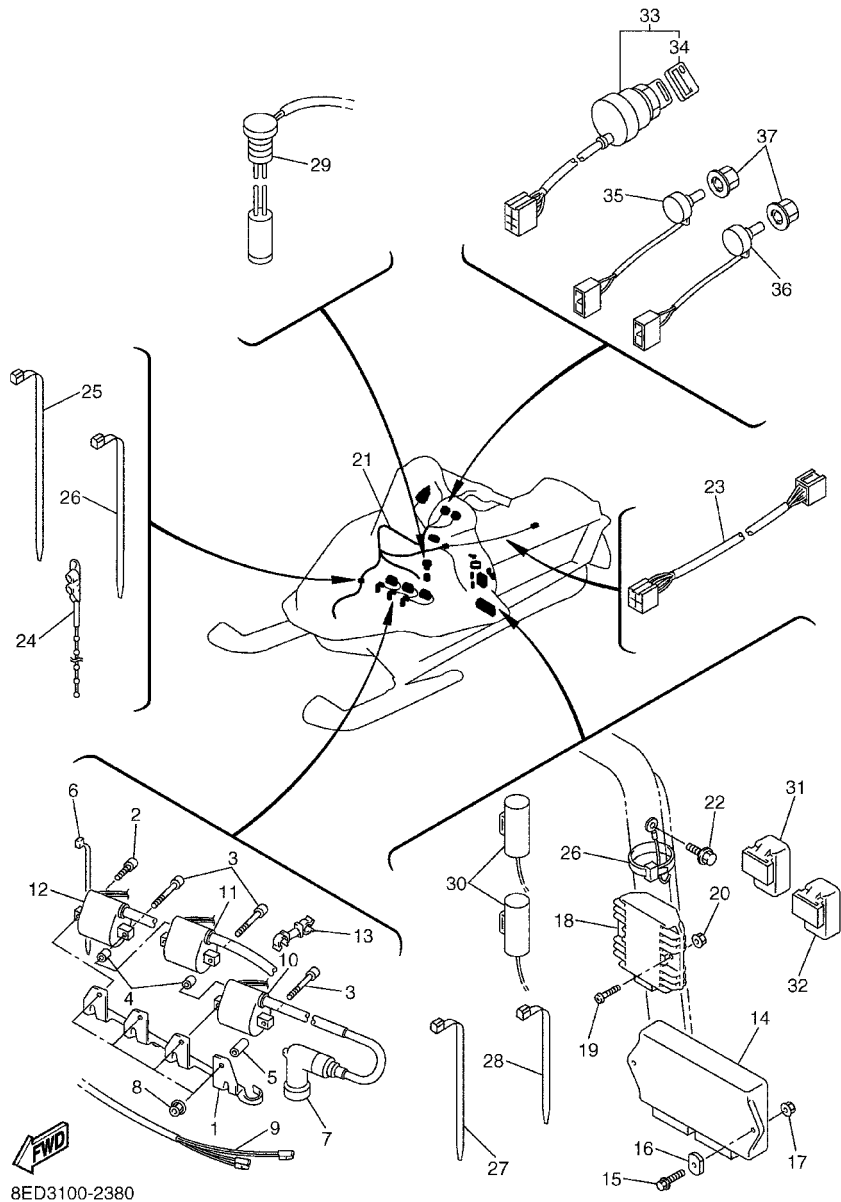
FIG. 37 HANDLE SWITCH. LEVER



REF. NO.	PART NO.	DESCRIPTION	USA	CAN	EUR	REMARKS
1	8DN-82720-00	LEVER HOLDER ASSY (RIGHT)	1	1	1	
2	8AV-83963-00	.SWITCH, HANDLE 3 (RIGHT)	1	1	1	
3	8AU-82575-09	..ENGINE STOP SWITCH ASSY	1	1	1	WIRE/L=240MM
4	84M-83928-00	..SCREW, ADJUSTING	1	1	1	
5	8DN-82970-00	.THUMB WARMER ASSY	1	1	1	
6	97707-30614	.SCREW, TAPPING	2	2	2	
7	99001-04600	.CIRCLIP	1	1	1	
8	85G-83663-00	.WASHER, SPECIAL	1	1	1	
9	85G-83956-00	.CAP 1	2	2	2	
10	8R6-8399F-00	.SHAFT	1	1	1	



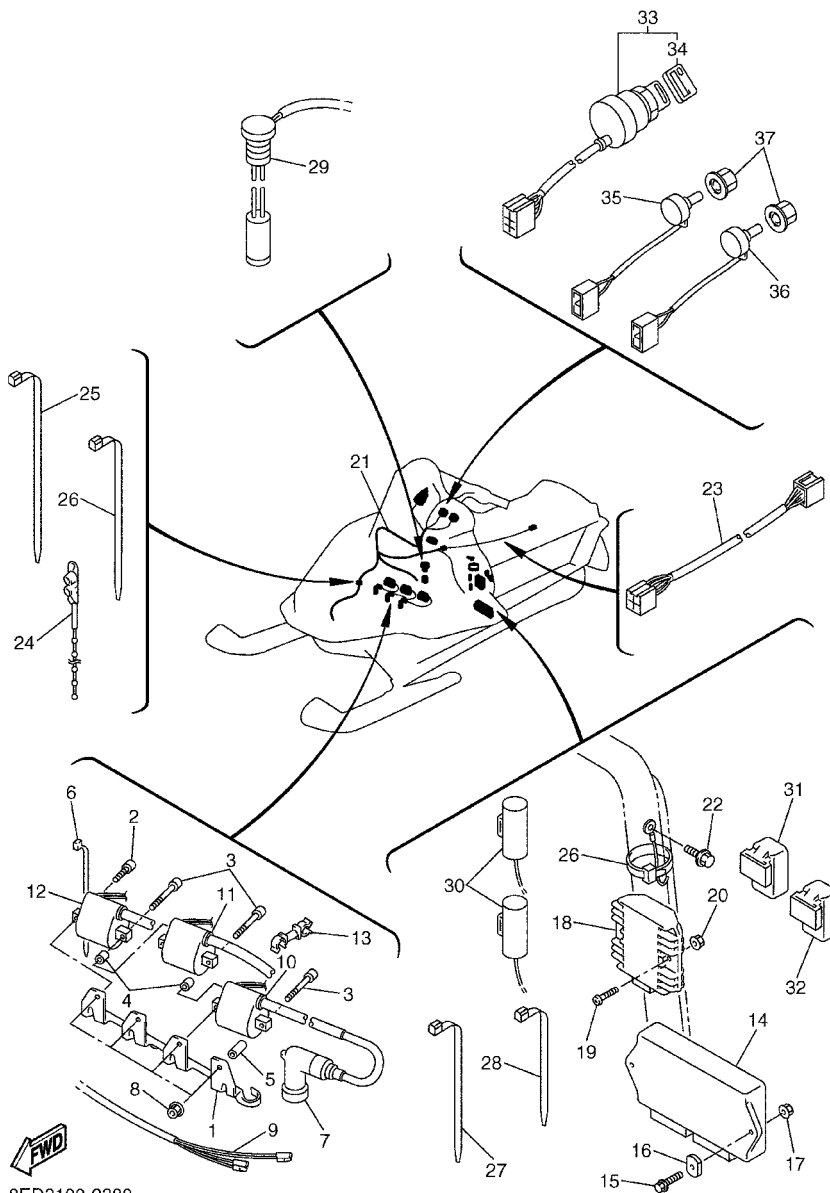
8ED4100-B370



8ED3100-2380

FIG. 38 ELECTRICAL 1

REF. NO.	PART NO.	DESCRIPTION	USA	CAN	EUR	REMARKS
1	8DM-82316-00	BRACKET, IGNITION COIL	1	1	1	
2	91317-06020	BOLT	1	1	1	
3	91317-06040	BOLT	3	3	3	
4	90387-0714B	COLLAR	2	2	2	
5	90387-07393	COLLAR	1	1	1	
6	90464-15195	CLAMP	3	3	3	
7	8DF-82370-00	PLUG CAP ASSY	3	3	3	
8	95607-06200	NUT, SELF U-FLANGE	4	4	4	
9	8DM-82509-00	WIRE, SUB LEAD	1	1	1	
10	8DM-82310-10	IGNITION COIL ASSY	1	1	1	
11	8DF-82310-20	IGNITION COIL ASSY	1	1	1	
12	8DM-82310-30	IGNITION COIL ASSY	1	1	1	
13	90464-10002	CLAMP	1	1	1	
14	8DM-85540-10	C.D.I. UNIT ASSY	1	1	1	
15	95807-06020	BOLT, FLANGE	2	2	2	
16	90179-06264	NUT	2	2	2	
17	95707-06500	NUT, FLANGE	2	2	2	
18	4JH-81960-01	RECTIFIER & REGULATOR ASSY	1	1	1	
19	98507-06025	SCREW	2	2	2	
20	95707-06500	NUT, FLANGE	2	2	2	
21	8ED-82590-00	WIRE HARNESS ASSY	1	1	1	
22	95807-06010	BOLT, FLANGE	1	1	1	
23	8DM-8471G-00	WIRE, LEAD	1	1	1	
24	90464-20031	CLAMP	1	1	1	
25	90464-12045	CLAMP	1	1	1	
26	90464-15195	CLAMP	8	8	8	
27	90464-13073	CLAMP	7	7	7	



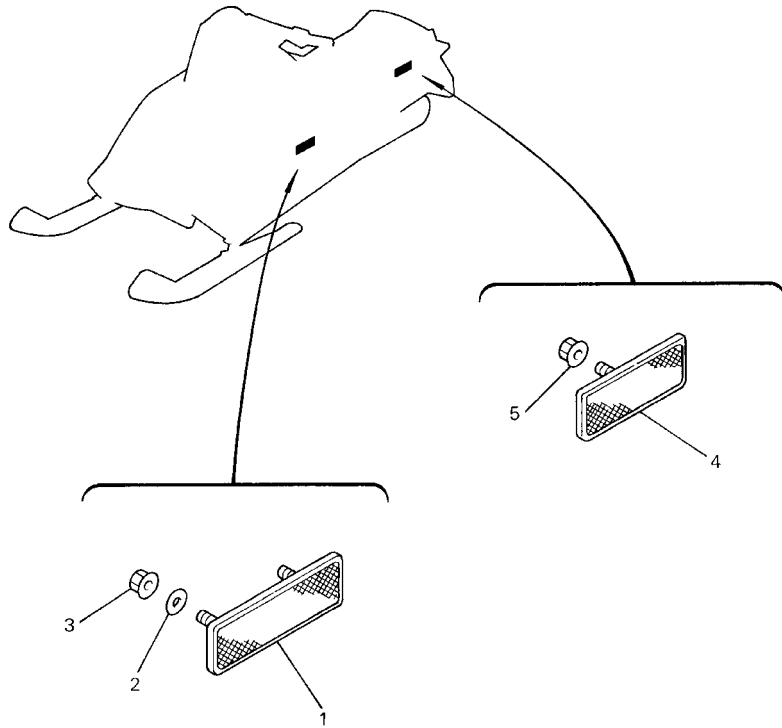
8ED3100-2380

FIG. 38 ELECTRICAL 1

REF. NO.	PART NO.	DESCRIPTION	USA	CAN	EUR	REMARKS
28	90464-13077	CLAMP	1	1	1	
29	8CR-85720-01	OIL LEVEL GAUGE ASSY	1	1	1	
30	3TC-81965-00	CONDENSER, SMOOTHING	2	2	2	
31	5DM-81950-00	RELAY ASSY	1	1	1	
32	8DM-81950-00	RELAY ASSY	1	1	1	
33	8DM-82510-00	MAIN SWITCH ASSY	1	1	1	
34	526-82579-00	.CAP, KEY	2	2	2	
35	8DM-87283-00	RESISTOR, VARIABLE	1	1	1	
36	8DM-87283-10	RESISTOR, VARIABLE	1	1	1	
37	8DM-87284-00	KNOB, VARIABLE RESISTOR	2	2	2	

FIG. 39 ELECTRICAL 2

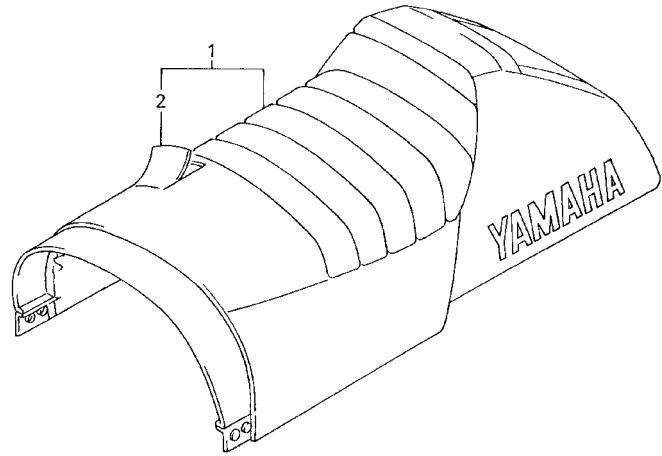
REF. NO.	PART NO.	DESCRIPTION	USA	CAN	EUR	REMARKS
1	86R-85110-00	REFLECTOR ASSY	2	2	2	
2	90201-05036	WASHER, PLATE	4	4	4	
3	95707-05300	NUT, FLANGE	4	4	4	
4	3Y6-85130-02	REAR REFLECTOR ASSY	2	2	2	
5	95707-05500	NUT, FLANGE	2	2	2	



8CR100-7390

FIG. 40 ALTERNATE (BODY/RIG)

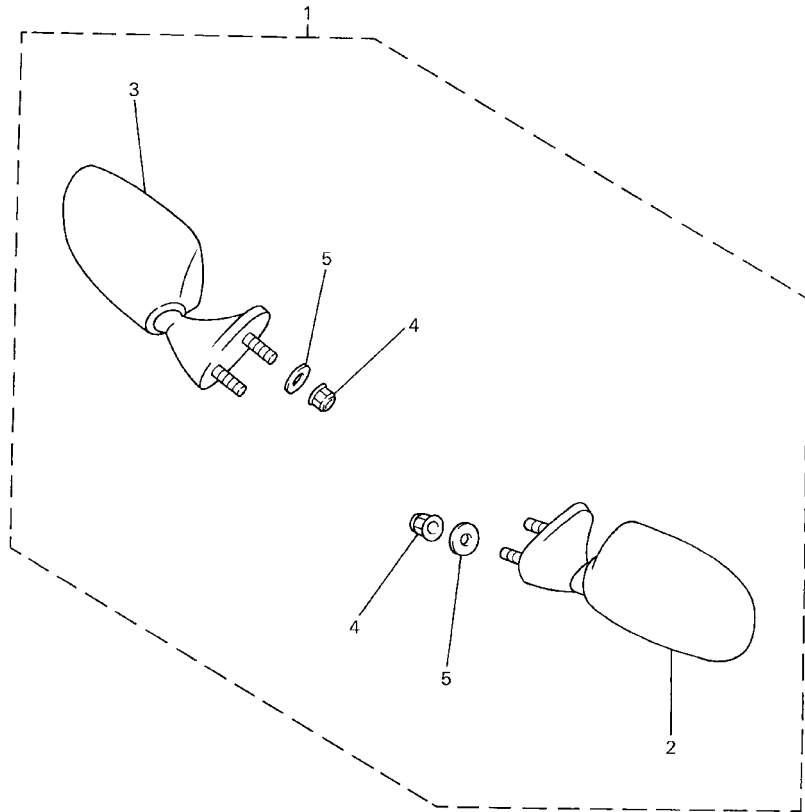
REF. NO.	PART NO.	DESCRIPTION	USA	CAN	EUR	REMARKS
1	8CT-24710-50	SINGLE SEAT ASSY	1	1	1	AP
2	8CT-2470F-30	.SEAT COVER COMP.	1	1	1	



8CR2100-8430

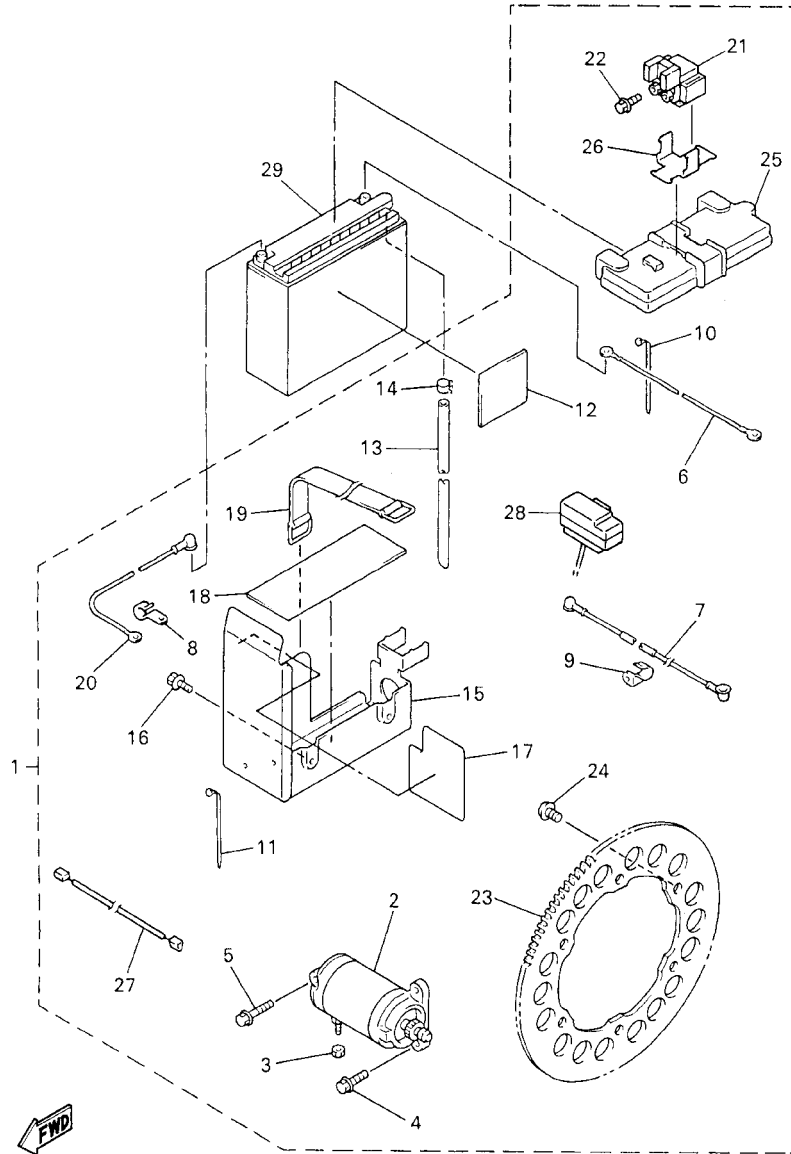
FIG. 41 ALTERNATE (BODY/RIG)

REF. NO.	PART NO.	DESCRIPTION	USA	CAN	EUR	REMARKS
1	8CR-W2628-00	REAR VIEW MIRROR SET	1	1	1	AP
2	4SV-26280-00	.REAR VIEW MIRROR ASSY (LEFT)	1	1	1	
3	4SV-26290-00	.REAR VIEW MIRROR ASSY (RIGHT)	1	1	1	
4	95607-06200	.NUT, SELF U-FLANGE	4	4	4	
5	90201-06072	.WASHER, PLATE	4	4	4	



8CR100-7430

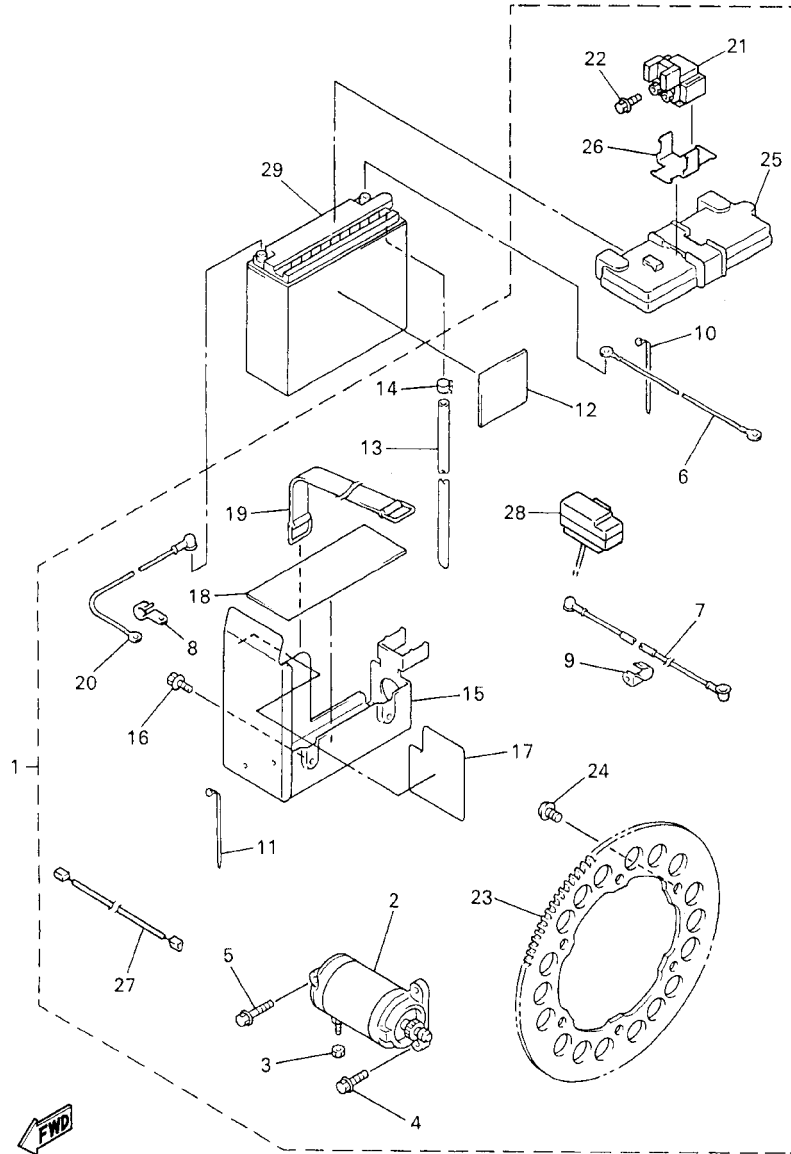
FIG. 42 ALTERNATE (ELECTRICAL)



8ED3100-2420

REF. NO.	PART NO.	DESCRIPTION	USA	CAN	EUR	REMARKS
1	8DS-W8180-20	ELECTRIC STARTER KIT	1	1	1	AP
2	8CW-81800-01	.STARTING MOTOR ASSY	1	1	1	
3	95307-06600	.NUT	1	1	1	
4	95027-08030	.BOLT, FLANGE	2	2	2	
5	95027-08080	.BOLT, FLANGE	1	1	1	
6	8DY-82116-00	.WIRE, MINUS LEAD	1	1	1	
7	8DY-82117-00	.WIRE, LEAD	1	1	1	
8	90462-08016	.CLAMP	1	1	1	
9	90465-10381	.CLAMP	1	1	1	
10	90464-13073	.CLAMP	1	1	1	
11	90464-15195	.CLAMP	4	4	4	
12	8CW-82176-00	.DAMPER	1	1	1	
13	8CW-8235W-01	.PIPE	1	1	1	
14	90467-08092	.CLIP	1	1	1	
15	8DM-2199G-00	.BRACKET, BATTERY	1	1	1	
16	90109-06513	.BOLT	2	2	2	
17	8CW-2199H-00	.SHIELD, HEAT	1	1	1	
18	8DM-82122-00	.SEAT, BATTERY	1	1	1	
19	8DM-82131-10	.BAND, BATTERY	1	1	1	
20	8DY-82115-00	.WIRE, PLUS LEAD	1	1	1	
21	4BH-81940-00	.STARTER RELAY ASSY	1	1	1	
22	95027-06008	.BOLT, FLANGE	2	2	2	
23	8DM-1760A-18	.GEAR 1	1	1	1	
24	90150-08008	.SCREW, ROUND HEAD	6	6	6	
25	8DM-82129-00	.COVER, BATTERY	1	1	1	
26	8CY-81952-00	.HOLDER, RELAY	1	1	1	
27	8DS-82309-00	.WIRE, SUB LEAD	1	1	1	

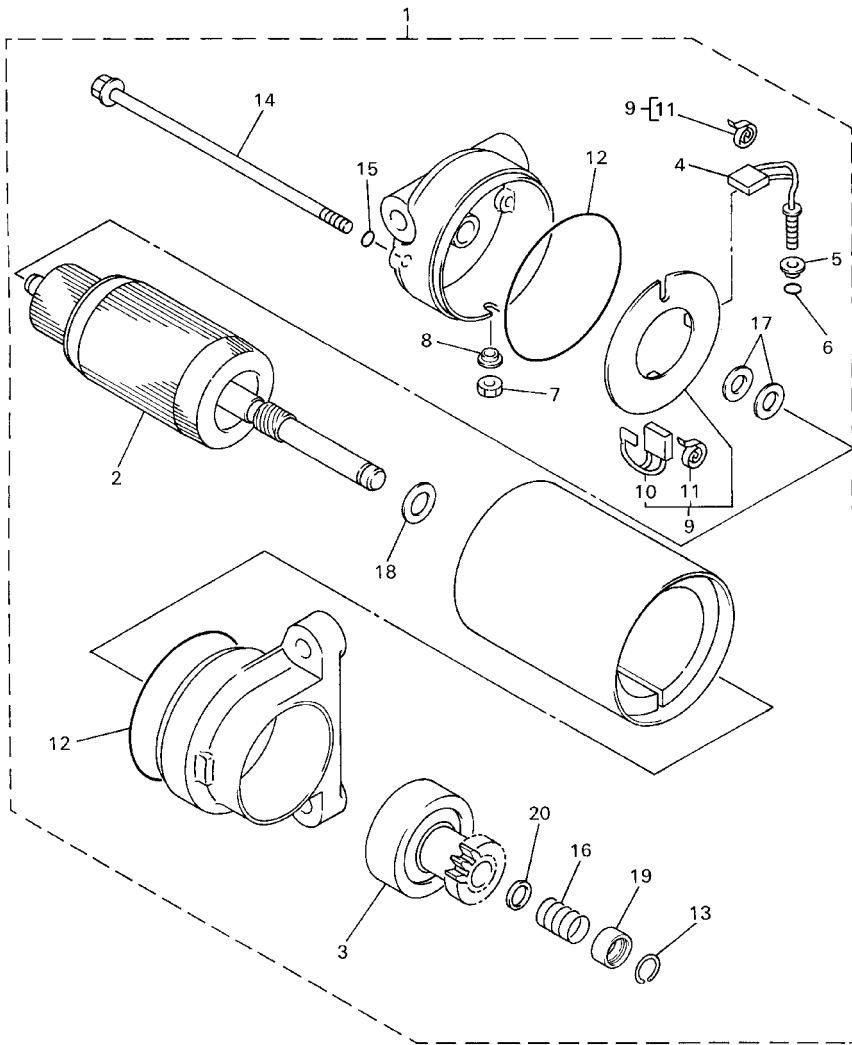
FIG. 42 ALTERNATE (ELECTRICAL)



8ED3100-2420

REF. NO.	PART NO.	DESCRIPTION	USA	CAN	EUR	REMARKS
28	8DS-82170-00	.FUSE BOX ASSY	1	1	1	
29	11K-82110-62	BATTERY ASSY (GM18Z-3A)	1	1	1	AP

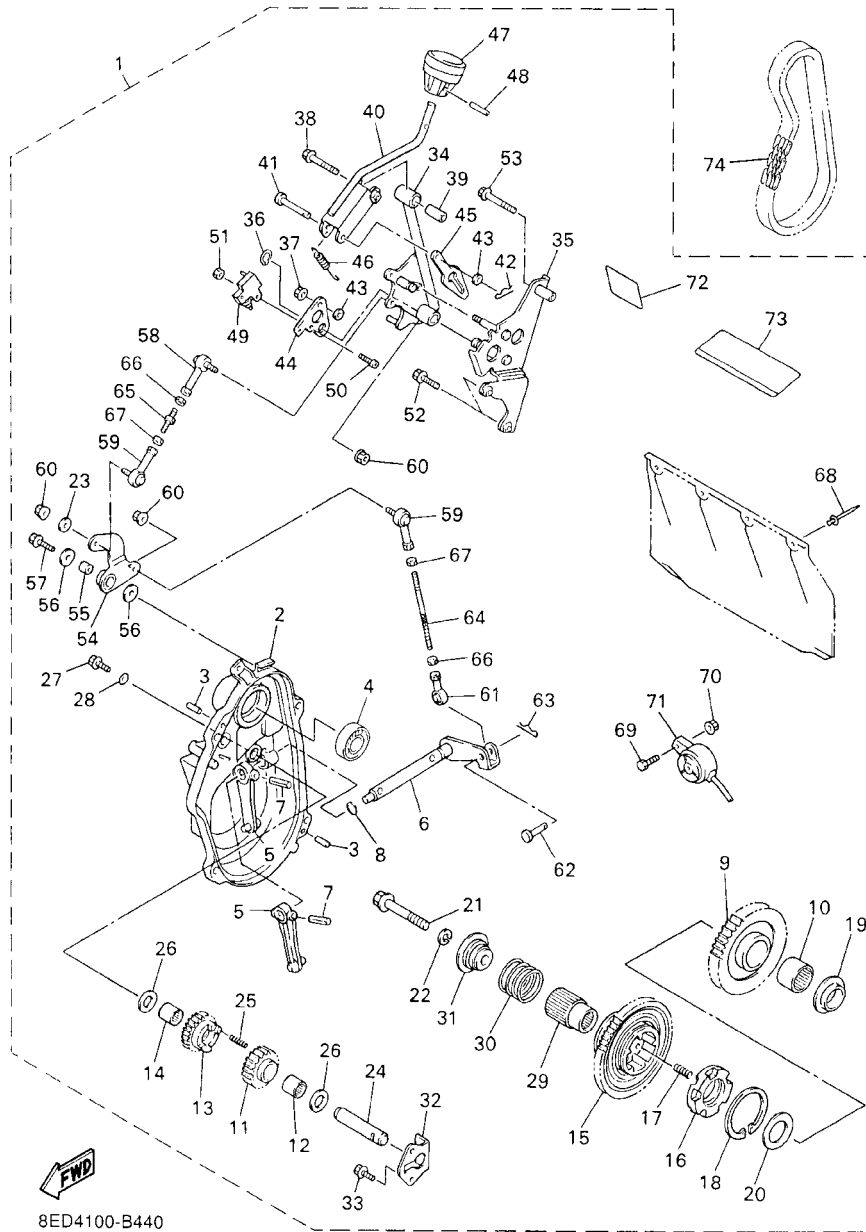
FIG. 43 ALTERNATE (ELECTRICAL)



8CR100-7440

REF. NO.	PART NO.	DESCRIPTION	USA	CAN	EUR	REMARKS
1	8CW-81800-01	STARTING MOTOR ASSY	1	1	1	AP
2	8CW-81850-00	.ARMATURE ASSY	1	1	1	
3	8CW-81832-00	.CLUTCH, OVER RUN	1	1	1	
4	8CW-81811-00	.BRUSH 1	1	1	1	
5	73A-81829-50	.GROMMET	1	1	1	
6	73A-81847-00	.O-RING	1	1	1	
7	4H7-81872-00	.NUT, SPECIAL	1	1	1	
8	73A-81829-00	.GROMMET	1	1	1	
9	8CW-81840-00	.BRUSH HOLDER ASSY	1	1	1	
10	8CW-81812-00	..BRUSH 2	1	1	1	
11	8L6-81813-50	..SPRING, BRUSH	2	2	2	
12	4H7-81844-50	.O-RING	2	2	2	
13	8L6-81834-50	.RING	1	1	1	
14	3GD-81826-00	.BOLT, THROUGH	2	2	2	
15	8L6-81847-50	.O-RING	2	2	2	
16	8CW-81836-00	.SPRING, LEVER	1	1	1	
17	4H7-81843-50	.WASHER 1	2	2	2	
18	8L6-81835-50	.WASHER 2	1	1	1	
19	8CW-81833-00	.RING, STOP	1	1	1	
20	8BB-8185A-00	.WASHER, PLATE	1	1	1	

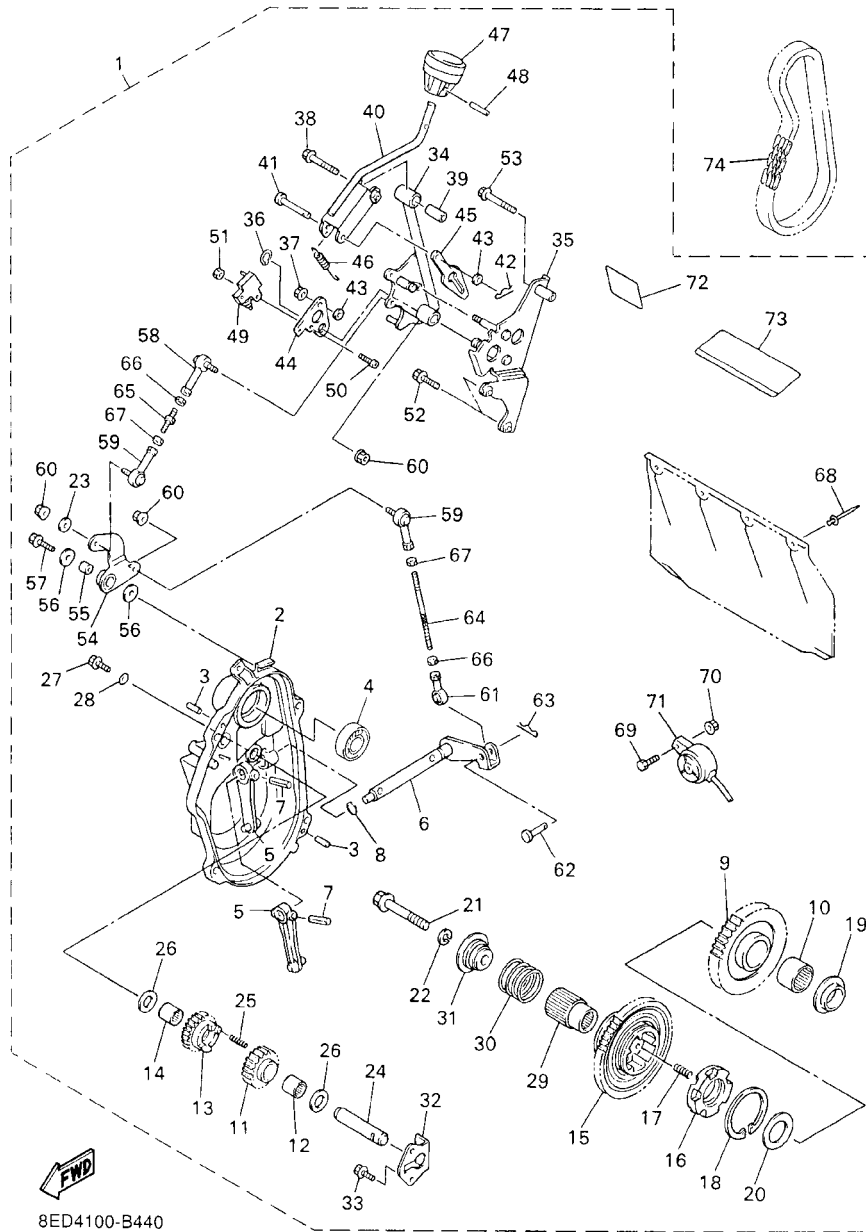
FIG. 44 ALTERNATE (DRIVE)



8ED4100-B440

REF. NO.	PART NO.	DESCRIPTION	USA	CAN	EUR	REMARKS
1	8CR-W4759-00	REVERSE GEAR KIT	1	1	1	AP
2	8CW-47543-02	.CAP, HOUSING	1	1	1	
3	93606-20044	.PIN, DOWEL	2	2	2	
4	93306-20468	.BEARING	1	1	1	
5	8CW-18511-00	.FORK, SHIFT 1	2	2	2	
6	8CW-18197-00	.SHAFT	1	1	1	
7	91609-50022	.PIN, SPRING	2	2	2	
8	93210-12131	.O-RING	1	1	1	
9	8CW-47587-90	.SPROCKET, CHAIN DRIVEN (39T)	1	1	1	
10	93317-33179	.BEARING	1	1	1	
11	8DM-17692-00	.SPROCKET, DRIVE	1	1	1	
12	93317-21578	.BEARING	1	1	1	
13	8CW-17143-00	.GEAR, REVERSE PINION 1	1	1	1	
14	93317-21578	.BEARING	1	1	1	
15	8CW-17243-00	.GEAR, REVERSE WHEEL 1	1	1	1	
16	8CW-17492-00	.DOG, TRANSMISSION SHIFT	1	1	1	
17	90501-066J5	.SPRING, COMPRESSION	5	5	5	
18	93440-39175	.CIRCLIP	1	1	1	
19	90387-2008G	.COLLAR	1	1	1	
20	90201-320S3	.WASHER, PLATE	1	1	1	
21	90105-100A7	.BOLT, FLANGE	1	1	1	
22	92907-10100	.WASHER, SPRING	1	1	1	
23	90201-06778	.WASHER, PLATE	1	1	1	
24	8CW-1761A-00	.SHAFT, 1	1	1	1	
25	90501-06022	.SPRING, COMPRESSION	1	1	1	
26	90201-16245	.WASHER, PLATE	2	2	2	
27	90105-060A6	.BOLT, FLANGE	1	1	1	

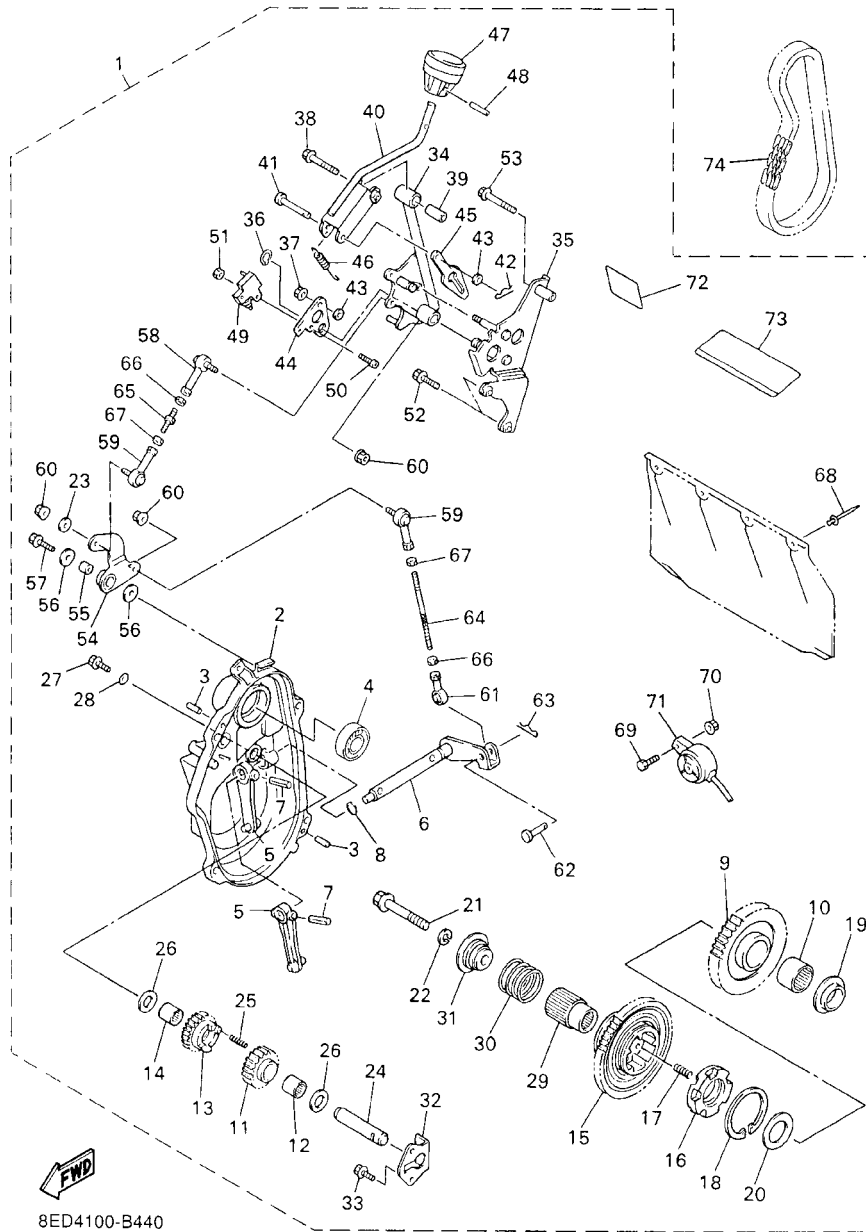
FIG. 44 ALTERNATE (DRIVE)



8ED4100-B440

REF. NO.	PART NO.	DESCRIPTION	USA	CAN	EUR	REMARKS
28	90210-06006	.WASHER, SEAL	1	1	1	
29	8CW-47571-00	.JOURNAL 1	1	1	1	
30	90501-326J6	.SPRING, COMPRESSION	1	1	1	
31	8CW-47564-00	.COLLAR	1	1	1	
32	8CW-47591-00	.PLATE	1	1	1	
33	90105-060A6	.BOLT, FLANGE	2	2	2	
34	8CW-18112-01	.ARM, SHIFT	1	1	1	
35	8CW-18161-01	.GUIDE, PLATE STOPPER	1	1	1	
36	99009-12400	.CIRCLIP	1	1	1	
37	95607-06200	.NUT, SELF U-FLANGE	1	1	1	
38	95817-06035	.BOLT, FLANGE	1	1	1	
39	90387-06605	.COLLAR	1	1	1	
40	8CW-18152-01	.LEVER, SHIFT 4	1	1	1	
41	91701-06035	.PIN, CLEVIS	1	1	1	
42	90468-10050	.CLIP	1	1	1	
43	92907-06200	.WASHER	2	2	2	
44	8CW-1811A-00	.PLATE, SHIFT ARM	1	1	1	
45	8CW-18153-00	.GUIDE, SHIFT RETURN SPRING	1	1	1	
46	90506-14343	.SPRING, TENSION	1	1	1	
47	8CL-18174-00	.KNOB, SHIFT LEVER	1	1	1	
48	91609-40022	.PIN, SPRING	1	1	1	
49	J51-82817-00	.SWITCH	1	1	1	
50	98907-04016	.SCREW, BIND	1	1	1	
51	95607-04100	.NUT, U	1	1	1	
52	95827-06025	.BOLT, FLANGE	2	2	2	
53	95827-06040	.BOLT, FLANGE	1	1	1	
54	8CW-18198-00	.LEVER	1	1	1	

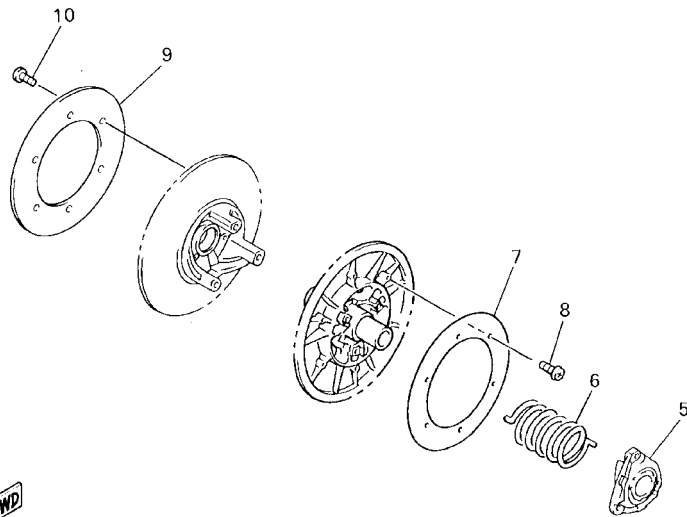
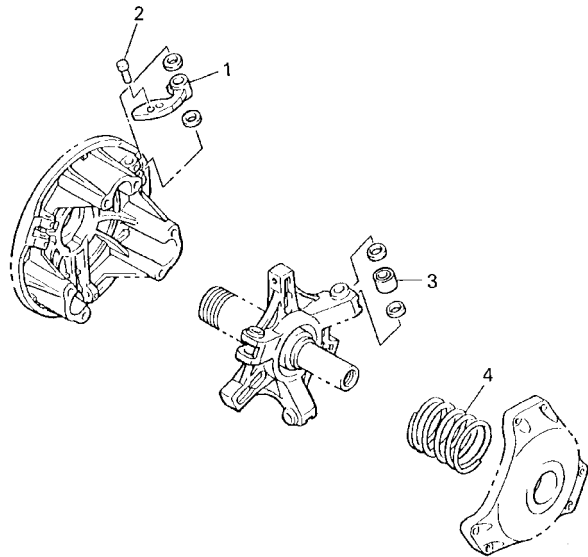
FIG. 44 ALTERNATE (DRIVE)



REF. NO.	PART NO.	DESCRIPTION	USA	CAN	EUR	REMARKS
55	90387-0608T	.COLLAR	1	1	1	
56	90201-06071	.WASHER, PLATE	2	2	2	
57	95817-06025	.BOLT, FLANGE	1	1	1	
58	J45-23845-00	.JOINT, UNIVERSAL 2	1	1	1	
59	88T-18157-00	.JOINT 2	2	2	2	
60	95607-06200	.NUT, SELF U-FLANGE	3	3	3	
61	8CW-18156-00	.JOINT 1	1	1	1	
62	91701-06022	.PIN, CLEVIS	1	1	1	
63	90468-12007	.CLIP	1	1	1	
64	88T-18116-01	.JOINT, ROD 1	1	1	1	
65	26H-18115-00	.ROD, SHIFT	1	1	1	
66	95304-06600	.NUT	2	2	2	
67	90170-06289	.NUT	2	2	2	
68	90267-48141	.RIVET, BLIND	4	4	4	
69	97007-05020	.BOLT	1	1	1	
70	95707-05500	.NUT, FLANGE	1	1	1	
71	8CW-83383-00	.BUZZER	1	1	1	
72	8DM-77763-E0	.LABEL, WARNING 3	1	1	1	
73	8FB-77761-E0	.LABEL, WARNING 1	1	1	1	
74	94860-02068	CHAIN (68L)	1	1	1	

FIG. 45 ALTERNATE (DRIVE SETTING 1)

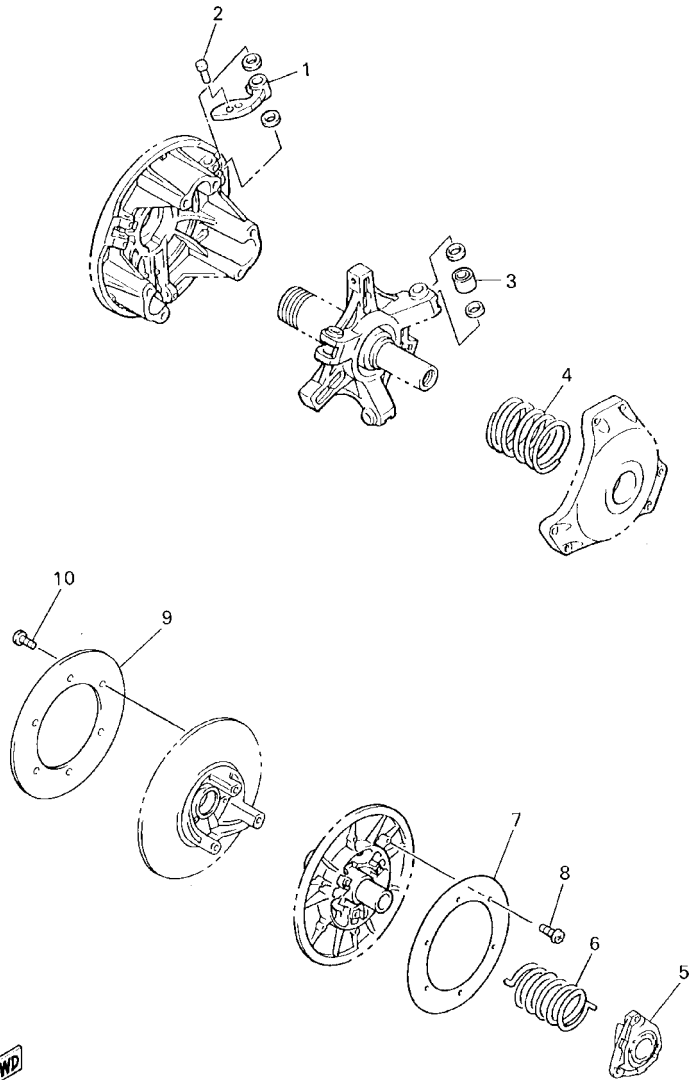
REF. NO.	PART NO.	DESCRIPTION	USA	CAN	EUR	REMARKS
1	8CR-17605-10	WEIGHT COMP	3	3	3	UR
	8CH-17605-10	WEIGHT COMP	3	3	3	UR
	8DJ-17605-00	WEIGHT COMP	3	3	3	UR
	8DG-17605-00	WEIGHT COMP	3	3	3	UR
	8DN-17605-20	WEIGHT COMP	3	3	3	UR
	8EK-17605-00	WEIGHT COMP	3	3	3	UR
2	90261-06015	RIVET, COUNTERSUNK (ST10.3MM)	3	3	3	UR
	90261-06017	RIVET, COUNTERSUNK (ST11.3MM)	3	3	3	UR
	90261-06019	RIVET, COUNTERSUNK (ST13.3MM)	3	3	3	UR
	90261-06028	RIVET, COUNTERSUNK (AL10.3MM)	3	3	3	UR
	90261-06033	RIVET, COUNTERSUNK (ST17.2MM)	3	3	3	UR
	90261-06034	RIVET, COUNTERSUNK (ST13.9MM)	3	3	3	UR
3	8CR-17624-00	ROLLER, COMP	3	3	3	UR
	8CR-17624-10	ROLLER, COMP	3	3	3	UR
	8CR-17624-20	ROLLER, COMP	3	3	3	UR
	8CR-17624-30	ROLLER, COMP	3	3	3	UR
	4	90501-551L3	SPRING, COMPRESSION	1	1	1
90501-583L5		SPRING, COMPRESSION	1	1	1	UR (WH-P-WH)
90501-581L5		SPRING, COMPRESSION	1	1	1	UR (Y-P-Y)
90501-581L6		SPRING, COMPRESSION	1	1	1	UR (GR-P-GR)
90501-601L7		SPRING, COMPRESSION	1	1	1	UR (P-P-P)
90501-601L8		SPRING, COMPRESSION	1	1	1	UR (OR-P-OR)
90501-551L9		SPRING, COMPRESSION	1	1	1	UR (BL-SL-BL)
90501-583L4		SPRING, COMPRESSION	1	1	1	UR (WH-SL-WH)
90501-582L1		SPRING, COMPRESSION	1	1	1	UR (Y-SL-Y)
90501-582L2		SPRING, COMPRESSION	1	1	1	UR (GR-SL-GR)
90501-602L3	SPRING, COMPRESSION	1	1	1	UR (P-SL-P)	



8CR3100-9470

FIG. 45 ALTERNATE (DRIVE SETTING 1)

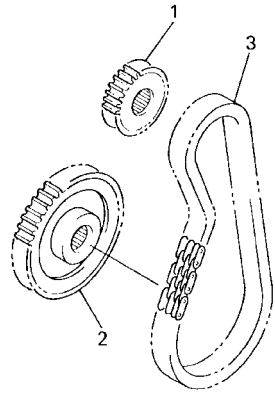
REF. NO.	PART NO.	DESCRIPTION	USA	CAN	EUR	REMARKS
4	90501-624L8	SPRING, COMPRESSION	1	1	1	UR (OR-SL-OR)
	90501-552L5	SPRING, COMPRESSION	1	1	1	UR (BL-GR-BL)
	90501-582L6	SPRING, COMPRESSION	1	1	1	UR (WH-GR-WH)
	90501-582L7	SPRING, COMPRESSION	1	1	1	UR (Y-GR-Y)
	90501-602L8	SPRING, COMPRESSION	1	1	1	UR (GR-GR-GR)
	90501-602L9	SPRING, COMPRESSION	1	1	1	UR (P-GR-P)
	90501-583L0	SPRING, COMPRESSION	1	1	1	UR (BL-WH-BL)
	90501-583L1	SPRING, COMPRESSION	1	1	1	UR (WH-WH-WH)
	90501-603L2	SPRING, COMPRESSION	1	1	1	UR (Y-WH-Y)
	90501-603L3	SPRING, COMPRESSION	1	1	1	UR (GR-WH-GR)
5	8BV-17604-11	SEAT SPRING SET	1	1	1	UR
	8BV-17604-31	SEAT SPRING SET	1	1	1	UR
	8BV-17604-51	SEAT SPRING SET	1	1	1	UR
	8BV-17604-71	SEAT SPRING SET	1	1	1	UR
	8BV-17604-91	SEAT SPRING SET	1	1	1	UR
6	90508-536A9	SPRING, TORSION	1	1	1	UR (RED)
	90508-556A2	SPRING, TORSION	1	1	1	UR (GREEN)
	90508-556A7	SPRING, TORSION	1	1	1	UR (SILVER)
	90508-500B1	SPRING, TORSION	1	1	1	UR (BROWN)
7	8CM-17665-00	PLATE 1	1	1	1	UR
8	90150-05040	SCREW, ROUND HEAD	6	6	6	UR
9	8CM-17675-00	PLATE 2	1	1	1	UR
10	90150-05040	SCREW, ROUND HEAD	6	6	6	UR



8CR3100-9470

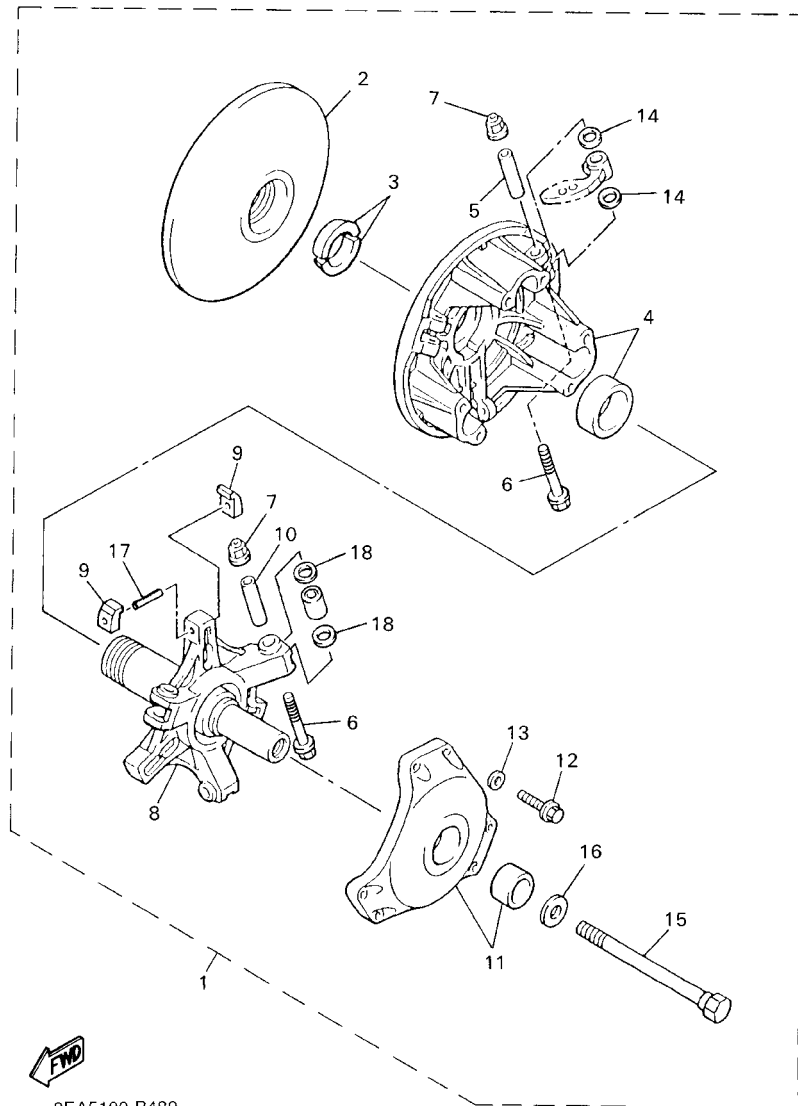
FIG. 46 ALTERNATE (DRIVE SETTING 2)

REF. NO.	PART NO.	DESCRIPTION	USA	CAN	EUR	REMARKS
1	89J-17682-91	SPROCKET, CHAIN DRIVE (19T)	1	1	1	UR
	89J-17682-00	SPROCKET, CHAIN DRIVE (20T)	1	1	1	UR
	89J-17682-10	SPROCKET, CHAIN DRIVE (21T)	1	1	1	UR
	89J-17682-20	SPROCKET, CHAIN DRIVE (22T)	1	1	1	UR
	89J-17682-30	SPROCKET, CHAIN DRIVE (23T)	1	1	1	UR
2	89J-47587-90	SPROCKET, CHAIN DRIVEN (39T)	1	1	1	UR
	89J-47587-00	SPROCKET, CHAIN DRIVEN (40T)	1	1	1	UR
3	94860-02068	CHAIN (68L)	1	1	1	UR
	94860-02070	CHAIN (70L)	1	1	1	UR



8CR3100-9480

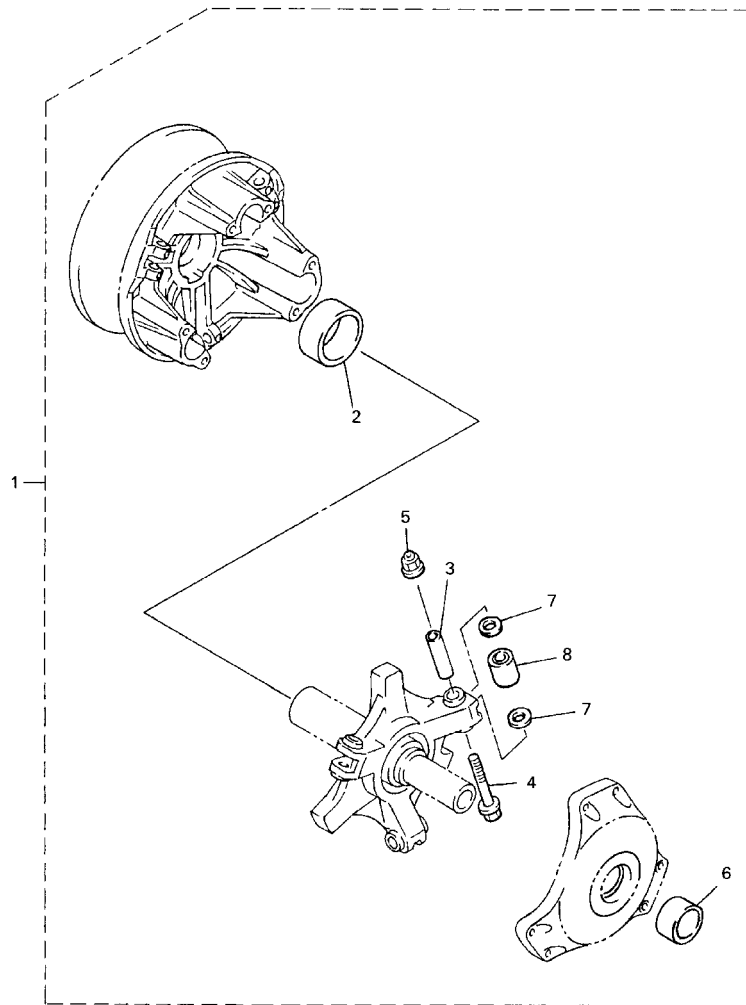
FIG. 47 ALTERNATE (DRIVE)



8EA5100-B480

REF. NO.	PART NO.	DESCRIPTION	USA	CAN	EUR	REMARKS
1	8DS-W176G-00	CLUTCH REPAIR KIT	1	1	1	AP
2	8CR-17611-01	.SHEAVE, PRIMARY FIXED	1	1	1	
3	8V0-17639-00	.STOPPER	2	2	2	
4	8BV-17620-11	.PRIMARY SLIDING SHEAVE COMP.	1	1	1	
5	90387-0514T	.COLLAR	3	3	3	
6	90105-05644	.BOLT, FLANGE	6	6	6	
7	95607-05200	.NUT, U FLANGE	6	6	6	
8	8CA-17640-12	.SPIDER COMPLETE	1	1	1	
9	8BW-17653-00	.SLIDER	6	6	6	
10	90387-0514U	.COLLAR	3	3	3	
11	8DF-17630-00	.PRIMARY SHEAVE CAP COMP.	1	1	1	
12	97017-06030	.BOLT	6	6	6	
13	92907-06600	.WASHER, PLATE	6	6	6	
14	90202-08204	.WASHER, PLATE	6	6	6	
15	8V0-17647-00	.BOLT (L=156.5MM)	1	1	1	
16	92907-16100	.WASHER	1	1	1	
17	91609-50032	.PIN, SPRING	3	3	3	
18	90202-09227	.WASHER, PLATE	6	6	6	

FIG. 48 ALTERNATE (DRIVE)



8DJ3100-1490

REF. NO.	PART NO.	DESCRIPTION	USA	CAN	EUR	REMARKS
1	8CS-00000-51	CLUTCH TUNE-UP KIT	1	1	1	AP
2	90384-41242	.BUSH, BIMETAL FORMED	1	1	1	
3	90387-0514U	.COLLAR	3	3	3	
4	90105-05644	.BOLT, FLANGE	3	3	3	
5	95607-05200	.NUT, U FLANGE	3	3	3	
6	90380-28237	.BUSH, SOLID	1	1	1	
7	90202-09227	.WASHER, PLATE	6	6	6	
8	8CR-17624-00	.ROLLER, COMP	3	3	3	

NUMERICAL INDEX

PART NO.	GRID NO.	PART NO.	GRID NO.	PART NO.	GRID NO.	PART NO.	GRID NO.	PART NO.	GRID NO.	PART NO.	GRID NO.
95607-12200	D - 2	95827-06016	D - 5	99009-20400	D - 12						
95607-14200	D - 13	95827-06025	C - 9	99009-25400	D - 12						
95617-08630	C - 7		F - 14	99009-28500	B - 5						
95707-05300	D - 8	95827-06040	F - 14	99009-42500	D - 12						
	F - 7	95827-08016	C - 10	99009-52500	E - 5						
95707-05500	F - 15		D - 5	99530-10114	B - 2						
	F - 7	95827-08020	C - 8	99530-12016	C - 3						
95707-06300	D - 15	95827-08030	E - 5								
95707-06500	B - 9	95827-08220	E - 2								
	C - 4	95827-10060	E - 5								
	E - 8	95827-10065	C - 12								
	F - 3	95827-12030	C - 8								
	F - 5	97007-05020	F - 15								
95707-08300	B - 8	97007-06025	D - 15								
	C - 14	97007-06040	F - 3								
	D - 3	97007-08014	E - 6								
	D - 6	97017-06025	B - 9								
	D - 7	97017-06030	C - 5								
	E - 4		G - 5								
95707-08500	C - 12	97027-06020	B - 2								
	C - 7	97027-08055	D - 3								
	D - 15	97027-10025	E - 3								
	D - 9	97602-04116	B - 14								
95707-10300	D - 3	97602-05110	B - 14								
	E - 3	97606-04110	B - 14								
95707-10500	C - 12	97701-40130	F - 3								
	C - 8	97707-30614	F - 4								
	D - 3	97707-50016	E - 10								
95807-06010	F - 5	98501-04014	B - 13								
95807-06012	B - 2	98502-04010	B - 13								
95807-06014	B - 6	98502-05012	B - 14								
95807-06016	E - 12	98507-03008	B - 9								
95807-06020	F - 5	98507-05014	E - 14								
95807-08020	C - 11	98507-06008	B - 6								
95807-08040	C - 12	98507-06012	C - 3								
95817-06020	B - 5	98507-06025	F - 5								
95817-06025	F - 15	98507-06030	E - 14								
95817-06035	F - 14	98702-04014	B - 14								
95817-08020	C - 8	98702-05008	B - 13								
	D - 15	98706-04012	D - 8								
95817-08035	C - 3	98907-04016	F - 14								
	C - 8	98907-05008	D - 6								
95817-08080	C - 3	98907-06012	E - 13								
95817-10025	C - 8	98907-06014	E - 8								
	D - 14	98907-06020	B - 6								
95817-10055	C - 14	99001-04600	F - 4								
95817-10085	D - 12	99009-12400	E - 5								
95827-06012	B - 5		F - 14								

CONTENTS

ENGINE

CYLINDER HEAD	B2
CRANKSHAFT. PISTON	B3
WATER PUMP	B5
RADIATOR. HOSE	B6
OIL PUMP	B8
INTAKE	B9
CARBURETOR	B11
EXHAUST	C2
CRANKCASE	C3
STARTER	C4

DRIVE

PRIMARY SHEAVE	C5
SECONDARY SHEAVE	C7

BODY

ENGINE BRACKET	C8
OIL TANK	C9
FRAME	C10
SKI	C14
STEERING	D3
STEERING GATE	D5
FUEL TANK	D6
SEAT	D7
BRAKE	D8
CONTROL CABLE	D11
TRACK SUSPENSION 1	D12
TRACK SUSPENSION 2	D14
TRACK DRIVE 1	E4
TRACK DRIVE 2	E5
SHROUD	E7
EMBLEM	E9
WINDSHIELD	E10

GUARD. LUGGAGE BOX	E11
BUMPER	E12
INSTRUMENT PANEL	E13

ELECTRICAL

GENERATOR	E14
METER	E15
HEADLIGHT	F2
TAILLIGHT	F3
HANDLE SWITCH. LEVER	F4
ELECTRICAL 1	F5
ELECTRICAL 2	F7
ALTERNATE (BODY/RIG)	F8
ALTERNATE (BODY/RIG)	F9
ALTERNATE (ELECTRICAL)	F10
ALTERNATE (ELECTRICAL)	F12
ALTERNATE (DRIVE)	F13
ALTERNATE (DRIVE SETTING 1)	G2
ALTERNATE (DRIVE SETTING 2)	G4
ALTERNATE (DRIVE)	G5
ALTERNATE (DRIVE)	G6

INDEX

NUMERICAL INDEX	M1
-----------------------	----