

PARTS CATALOGUE

SXV70H (8EK3/8EK4) U.S.A., CANADA/EUROPE, JAPAN

SXV70MH (8EN1/8EN2) U.S.A., CANADA/EUROPE, JAPAN

SXV70H/SXV70MH
PARTS CATALOGUE
©2002 by Yamaha Motor Co., Ltd.
1st Edition, May 2002
All rights reserved.
Any reprinting or unauthorized use
without the written permission of
Yamaha Motor Co., Ltd.
is expressly prohibited.

A3



SXV70H



SXV70MH

A4

FOREWORD

This Parts Catalogue is related to the parts for the model(s) in the below frame. When you are ordering replacement parts, please refer to this Parts Catalogue and quote both part numbers and part names correctly.

SXV70H/SXV70MH(8EK3,4/8EN1,2)

1. Modifications or additions which have been made after issue of the Parts Catalogue will be announced in the Yamaha Parts News.
It is advisable that you make necessary corrections to the Parts Catalogue according to the Yamaha Parts News.

2. Abbreviations

The following abbreviations are used in this Parts Catalogue.

“UR” Use specified parts number.

“UN” Use as many as needed.

“AP” Alternate Parts

“LM” Local Made (Parts need to be ordered locally)

“F#” Frame No. (Applicable machine No.)

3. Parts, which are to be supplied in an assembly, are listed with a dot(.) in front of the part name as shown below.

EXAMPLE

CARBURETOR ASSY

.JET, PILOT

.NOZZLE, MAIN

4. Number of component for assembly

The numeral appearing to the right of each component part indicates the quantity of parts for each assembly unit.

EXAMPLE

PART NO.	DESCRIPTION	Q'TY	REMARKS
2F5-83310-60	FRONT FLASHER LIGHT ASSY	2	
115-83311-60	.BULB (6V-18W)	1	

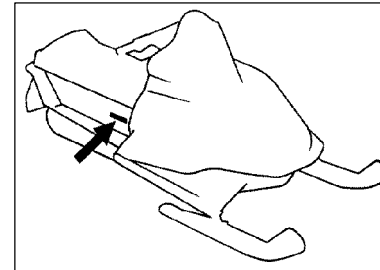
5. Applicable colors of graphics are represented in the “REMARKS” as shown below.

PART NO.	DESCRIPTION	Q'TY	REMARKS
2F5-83310-60	FRONT FLASHER LIGHT ASSY	2	
115-83311-60	.BULB (6V-18W)	1	

6. Applicable Starting Serial No. and Color Code

Starting Serial NO.:	JYE8EK0073A016124
Starting Serial NO.:	JYE8EK0053A016624
Starting Serial NO.:	JYE8EN0053A000036
Starting Serial NO.:	JYE8EN0053A000036

Frame Serial No.

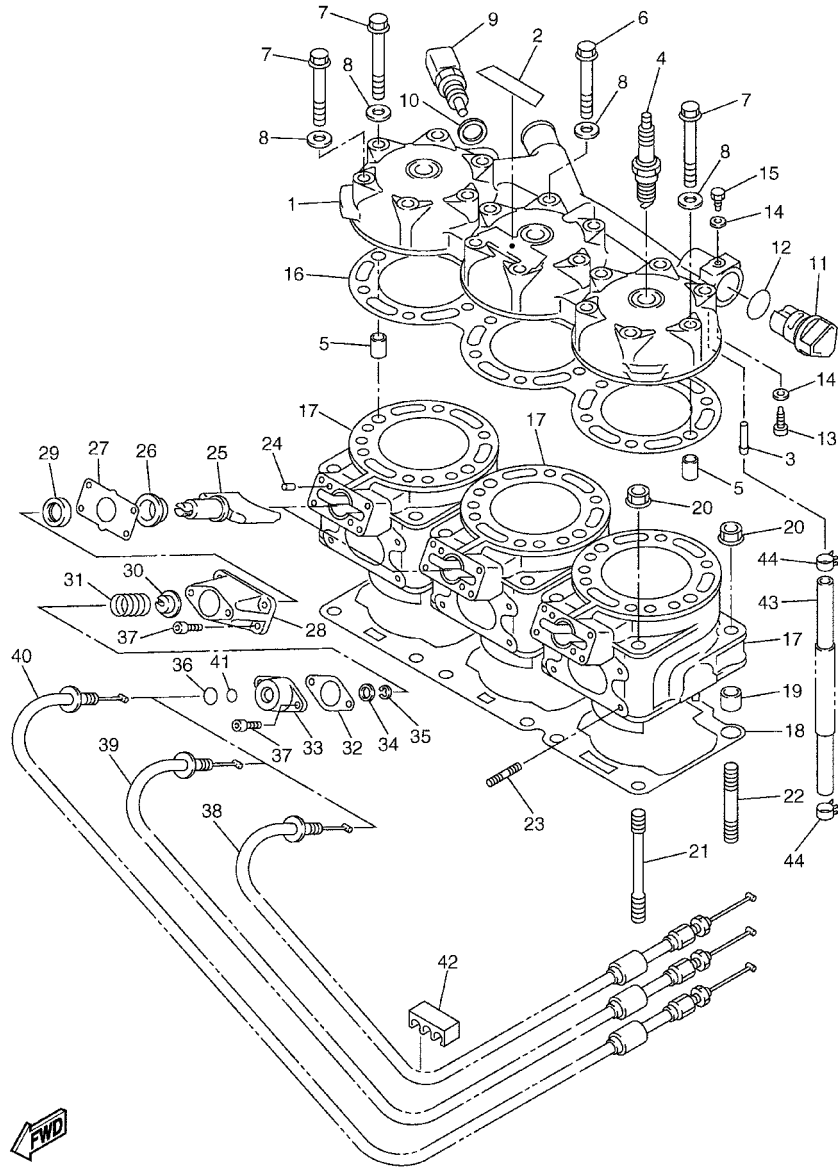


Color Code	MODEL	Color Name	Abbreviation	Country (destination)
0564	8EK3/	DEEP PURPLISH BLUE METALLIC C	DPBMC	USA, CAN/ EUR, JPN
00EY	8EK4	HEAT RED	HTR	
0564	8EN1/	DEEP PURPLISH BLUE METALLIC C	DPBMC	USA, CAN/ EUR, JPN
00EY	8EN2	HEAT RED	HTR	

7. Note that the illustration for reference in funding parts numbers, not to be used for assembling. When assembling, please use the applicable service manual.

8. The asterisk (*) before a reference number indicates modification items after the first edition.

FIG. 1 CYLINDER HEAD



REF. NO.	PART NO.	DESCRIPTION	8EK3	8EK4	8EN1	8EN2	REMARKS
1	8EK-11111-01	HEAD, CYLINDER 1	1	1	1	1	
2	8EK-1111K-00	EMBLEM	1	1	1	1	
3	26H-12584-00	JOINT, HOSE 3	1	1	1	1	
4	94702-00188	PLUG, SPARK (NGK BR9ES)	3	3	3	3	
	94709-00188	PLUG, SPARK (NGK BR9ES)			3	3	FOR JPN
5	99530-10114	PIN, DOWEL	2	2	2	2	
6	90105-08044	BOLT, FLANGE	12	12	12	12	
7	90105-08043	BOLT, FLANGE	6	6	6	6	
8	90201-084H7	WASHER, PLATE	18	18	18	18	
9	8CC-85790-01	THERMOSENSOR ASSY	1	1	1	1	
10	90201-12790	WASHER, PLATE	1	1	1	1	
11	8DF-12478-00	COCK, DRAIN	1	1	1	1	
12	93210-19123	O-RING	1	1	1	1	
13	90109-063E8	BOLT	1	1	1	1	
14	90210-06006	WASHER, SEAL	2	2	2	2	
15	90109-06418	BOLT	1	1	1	1	
16	8EK-11181-00	GASKET, CYLINDER HEAD 1	1	1	1	1	
17	8EK-11311-00	CYLINDER 1	3	3	3	3	
18	8EK-11351-00	GASKET, CYLINDER	1	1	1	1	
19	99530-14016	PIN, DOWEL	6	6	6	6	
20	95707-10500	NUT, FLANGE	12	12	12	12	
21	90116-10411	BOLT, STUD	6	6	6	6	
22	90116-10506	BOLT, STUD	6	6	6	6	
23	90116-06031	BOLT, STUD	12	12	12	12	
24	93604-08071	PIN, DOWEL	6	6	6	6	
25	8EK-1131A-00	VALVE 1	3	3	3	3	
26	8EK-1131E-00	HOLDER 1	3	3	3	3	



8EK1100-2010

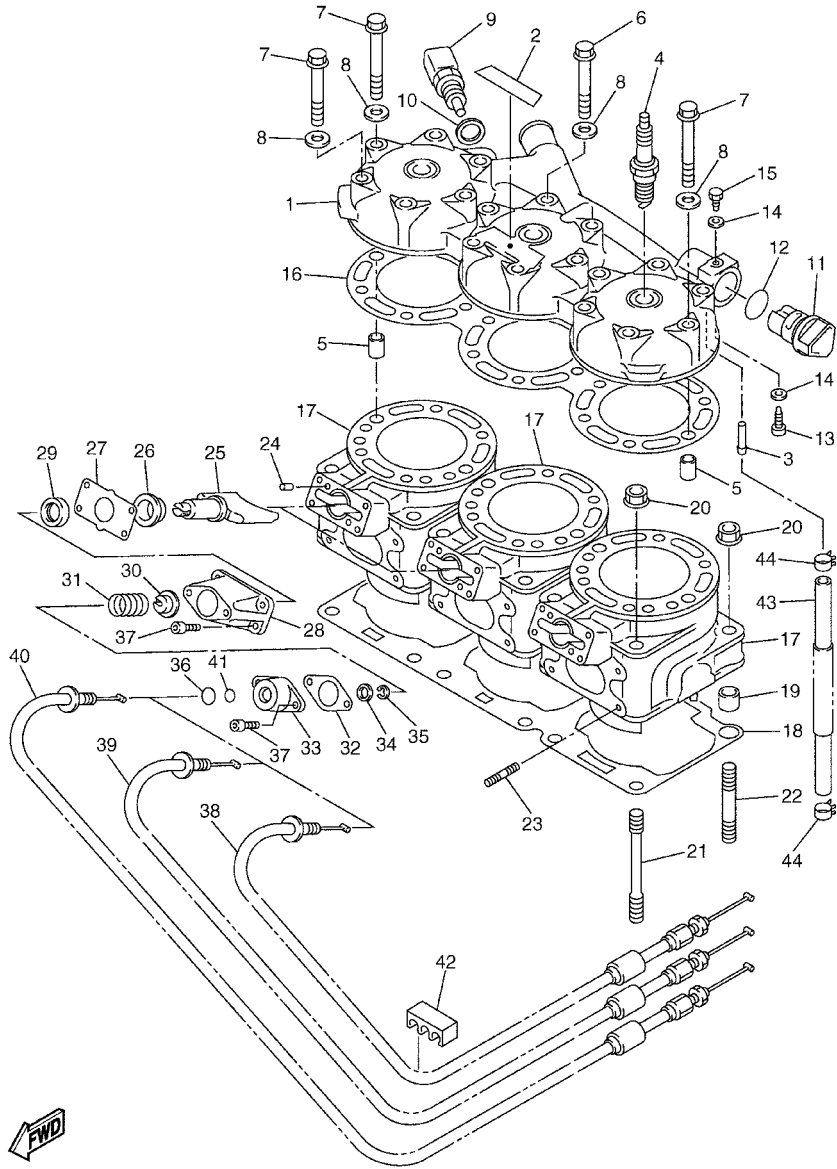
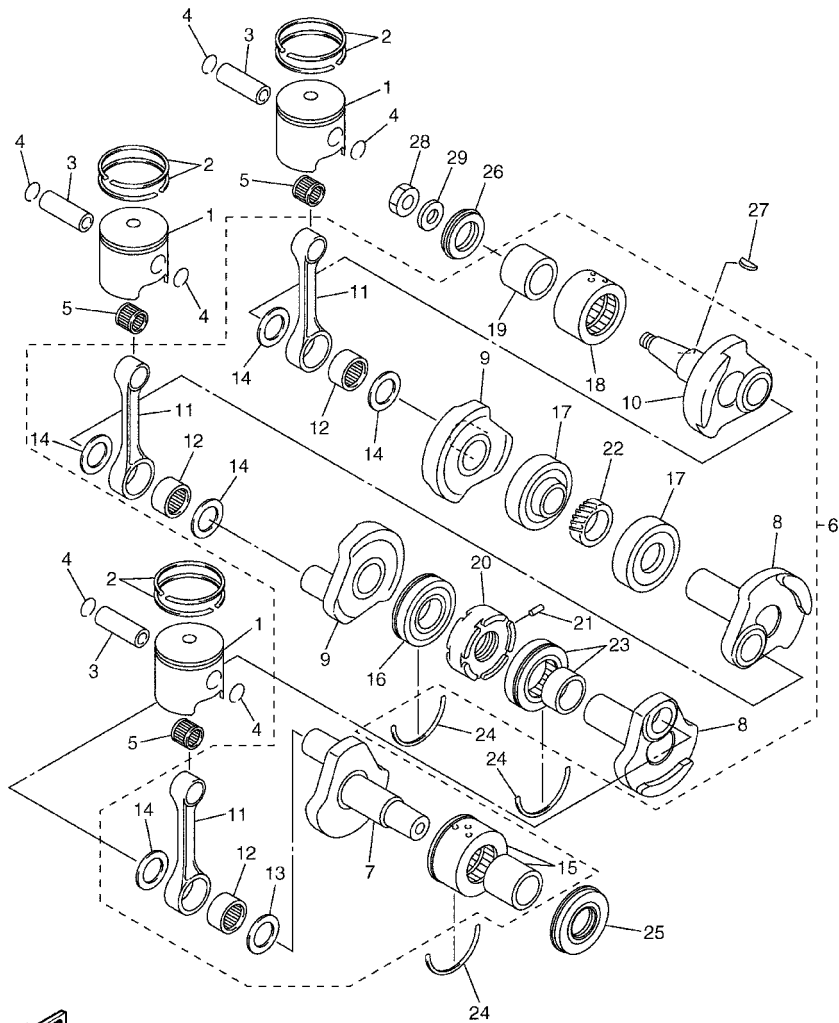


FIG. 1 CYLINDER HEAD

REF. NO.	PART NO.	DESCRIPTION	8EK3	8EK4	8EN1	8EN2	REMARKS
27	8DF-11354-02	GASKET	3	3	3	3	
28	8DF-1131F-01	HOLDER 2	3	3	3	3	
29	93109-15074	O-RING	3	3	3	3	
30	8DF-11317-01	SEAT, SPRING	3	3	3	3	
31	90501-120L7	SPRING, COMPRESSION	3	3	3	3	
32	8DF-11397-10	GASKET	3	3	3	3	
33	8DF-1131U-01	HOLDER 3	3	3	3	3	
34	90201-092U3	WASHER, PLATE	3	3	3	3	
35	99001-06600	CIRCLIP	3	3	3	3	
36	93210-09165	O-RING	3	3	3	3	
37	91317-05016	BOLT	18	18	18	18	
38	8EK-1133E-00	CABLE, PULLEY 1	1	1	1	1	
39	8EK-1133F-00	CABLE, PULLEY 2	1	1	1	1	
40	8EK-1133G-00	CABLE, PULLEY 3	1	1	1	1	
41	93210-06632	O-RING	3	3	3	3	
42	90464-06253	CLAMP	1	1	1	1	
43	8EK-1248A-00	PIPE 8	1	1	1	1	
44	90467-11090	CLIP	2	2	2	2	

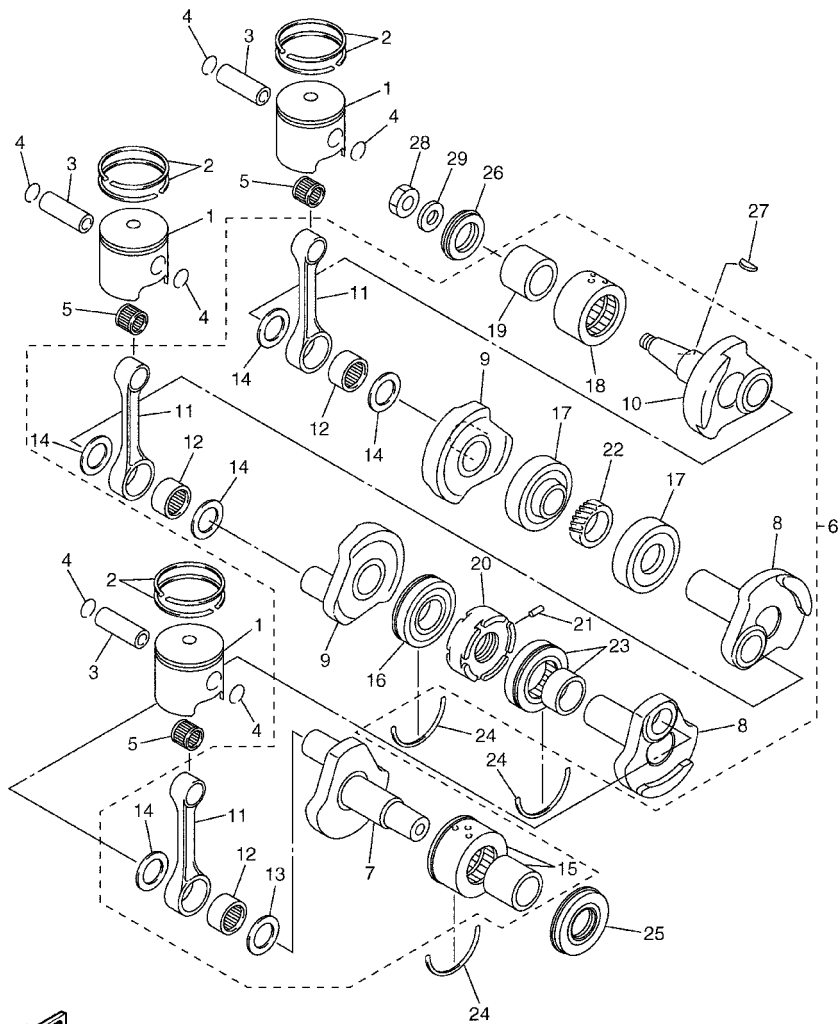
FIG. 2 CRANKSHAFT. PISTON




8EK1100-2020

REF. NO.	PART NO.	DESCRIPTION	8EK3	8EK4	8EN1	8EN2	REMARKS
1	8EK-11631-00-A0	PISTON (STD)	3	3	3	3	
2	8DN-11603-00	PISTON RING SET (STD)	6	6	6	6	
3	8J0-11633-00	PIN, PISTON	3	3	3	3	
4	93450-21053	CIRCLIP	6	6	6	6	
5	93310-32009	BEARING	3	3	3	3	
6	8EK-11400-00	CRANKSHAFT ASSY	1	1	1	1	
7	8EK-11412-00	.CRANK 1	1	1	1	1	
8	8EK-11422-00	.CRANK 2	2	2	2	2	
9	8EK-11432-00	.CRANK 3	2	2	2	2	
10	8EK-11442-00	.CRANK 4	1	1	1	1	
11	8DF-11651-00	.ROD, CONNECTING	3	3	3	3	
12	93310-5270A	.BEARING	3	3	3	3	
13	8CH-11685-00	.WASHER, CRANK PIN	1	1	1	1	
14	90201-272U2	.WASHER, PLATE	5	5	5	5	
15	8DN-11415-00	.BEARING ASSY 1	1	1	1	1	
16	93306-20723	.BEARING	1	1	1	1	
17	93306-20722	.BEARING	2	2	2	2	
18	93390-00028	.BEARING	1	1	1	1	
19	8DF-1142A-01	.BEARING	1	1	1	1	
20	8DF-11515-00	.SEAL, LABYRINTH 1	1	1	1	1	
21	91609-30010	.PIN, SPRING	1	1	1	1	
22	8DF-11434-00	.GEAR, CRANK SHAFT	1	1	1	1	
23	8DF-11436-00	.BEARING ASSY 3	1	1	1	1	
24	93440-72049	CIRCLIP	3	3	3	3	
25	93103-34181	OIL SEAL	1	1	1	1	
26	93103-32153	OIL SEAL	1	1	1	1	
27	90280-05033	KEY, WOODRUFF	1	1	1	1	

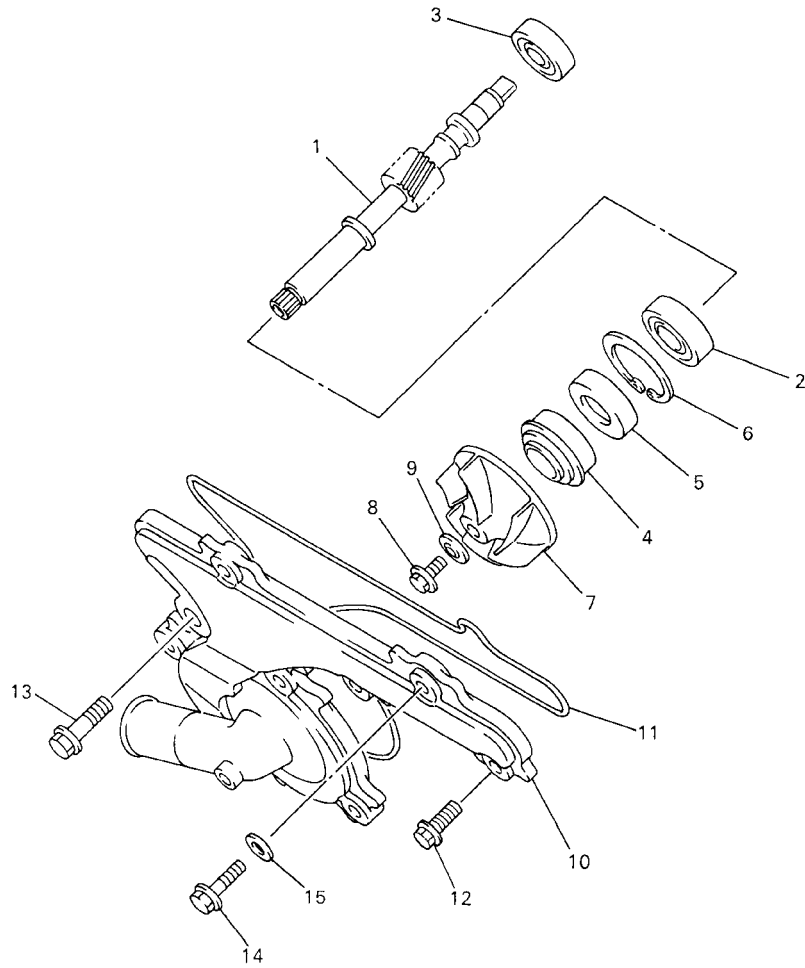
FIG. 2 CRANKSHAFT. PISTON



REF. NO.	PART NO.	DESCRIPTION	8EK3	8EK4	8EN1	8EN2	REMARKS
28	90170-16425	NUT	1	1	1	1	
29	92907-16600	WASHER	1	1	1	1	

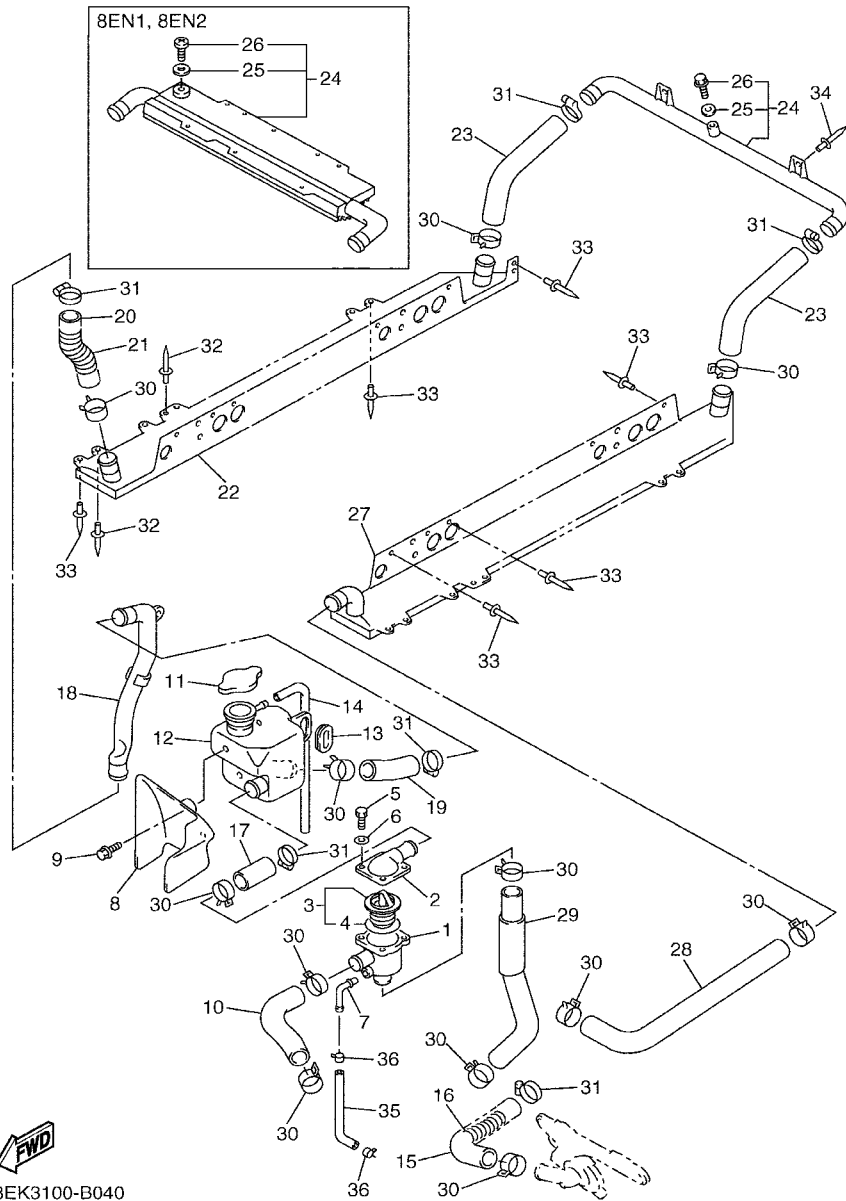
 8EK1100-2020

FIG. 3 WATER PUMP



REF. NO.	PART NO.	DESCRIPTION	8EK3	8EK4	8EN1	8EN2	REMARKS
1	8DF-12459-00	GEAR, IMPELLER SHAFT	1	1	1	1	
2	93306-00106	BEARING	1	1	1	1	
3	93306-00004	BEARING	1	1	1	1	
4	11H-12438-00	SEAL, MECHANICAL	1	1	1	1	
5	93102-12461	OIL SEAL	1	1	1	1	
6	99009-28500	CIRCLIP	1	1	1	1	
7	8CH-12451-02	IMPELLER, WATER PUMP	1	1	1	1	
8	95827-06012	BOLT, FLANGE	1	1	1	1	
9	90210-06001	WASHER, SEAL	1	1	1	1	
10	8CH-12422-01	COVER, HOUSING	1	1	1	1	
11	8CH-12439-00	O-RING	1	1	1	1	
12	95817-06020	BOLT, FLANGE	7	7	7	7	
13	95807-08025	BOLT, FLANGE	1	1	1	1	
14	95814-06025	BOLT, FLANGE	1	1	1	1	
15	90430-06166	GASKET	1	1	1	1	

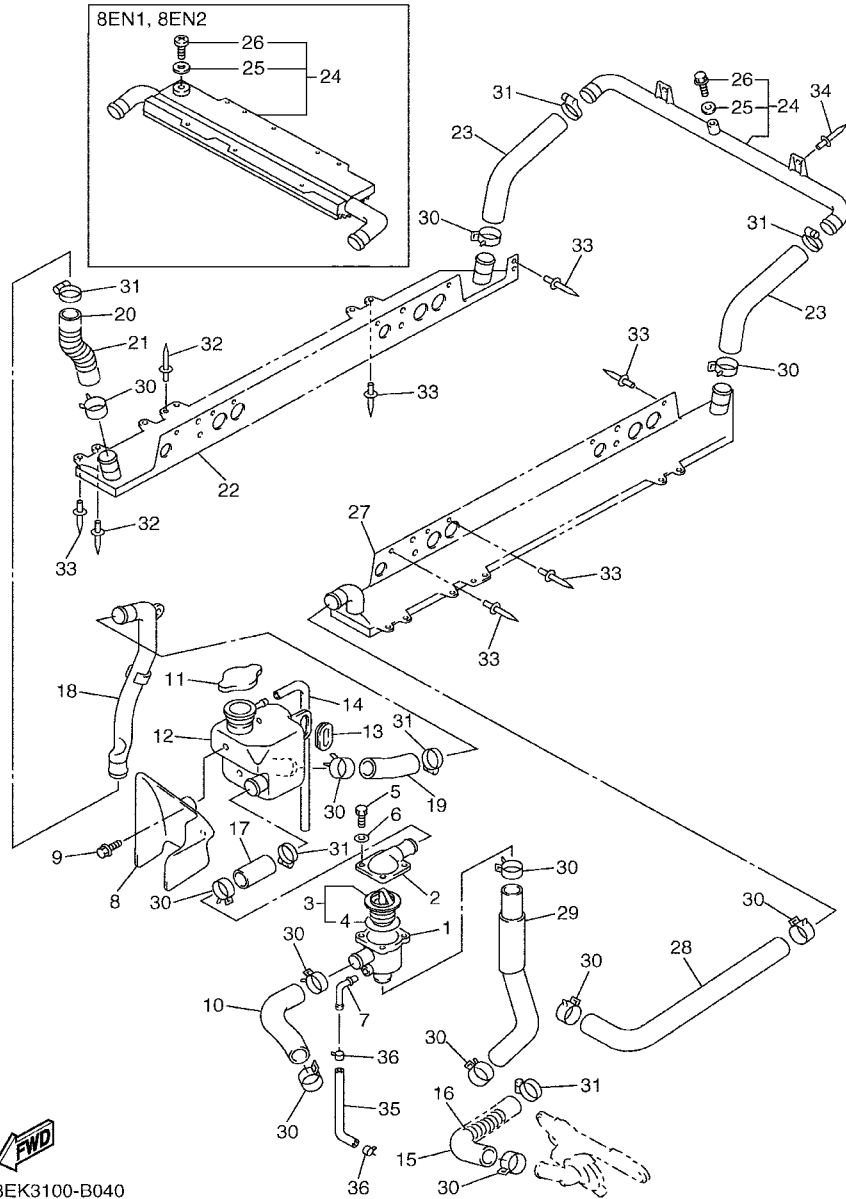
FIG. 4 RADIATOR. HOSE



 8EK3100-B040

REF. NO.	PART NO.	DESCRIPTION	8EK3	8EK4	8EN1	8EN2	REMARKS
1	8EK-12417-00	HOUSING, THERMOSTAT	1	1	1	1	
2	8EK-12413-00	COVER, THERMOSTAT	1	1	1	1	
3	8EK-12410-00	THERMOSTAT ASSY	1	1	1	1	
4	8EK-12412-00	.SEAL, THERMOSTAT	1	1	1	1	
5	97027-06020	BOLT	4	4	4	4	
6	92907-06600	WASHER, PLATE	4	4	4	4	
7	3FV-12584-00	JOINT, HOSE 3	1	1	1	1	
8	8EK-12661-00	DUCT	1	1	1	1	
9	95807-06012	BOLT, FLANGE	2	2	2	2	
10	8EK-12481-00	PIPE 1	1	1	1	1	
11	22W-12462-00	CAP, RADIATOR	1	1	1	1	
12	8EK-1249B-00	TANK, RESERVE	1	1	1	1	
13	90480-01003	GROMMET	1	1	1	1	
14	90445-08008	HOSE	1	1	1	1	
15	8EK-12482-00	PIPE 2	1	1	1	1	
16	90501-12002	SPRING, COMPRESSION	1	1	1	1	
17	8EK-1248E-00	PIPE 9	1	1	1	1	
18	8EK-12483-00	PIPE 3	1	1	1	1	
19	8EK-1243E-00	HOSE 2	1	1	1	1	
20	8DF-1243F-00	HOSE,3	1	1	1	1	
21	90501-144L4	SPRING, COMPRESSION	1	1	1	1	
22	8EK-1240F-00	HEAT EXCHANGER	1	1			
	8EN-1240F-00	HEAT EXCHANGER			1	1	
23	8DF-12484-01	PIPE 4	2	2			
	8EN-12484-00	PIPE 4			2	2	
24	8EK-1241A-00	HEAT EXCHANGER ASSY 4	1	1			
	8EN-1241A-00	HEAT EXCHANGER ASSY 4			1	1	

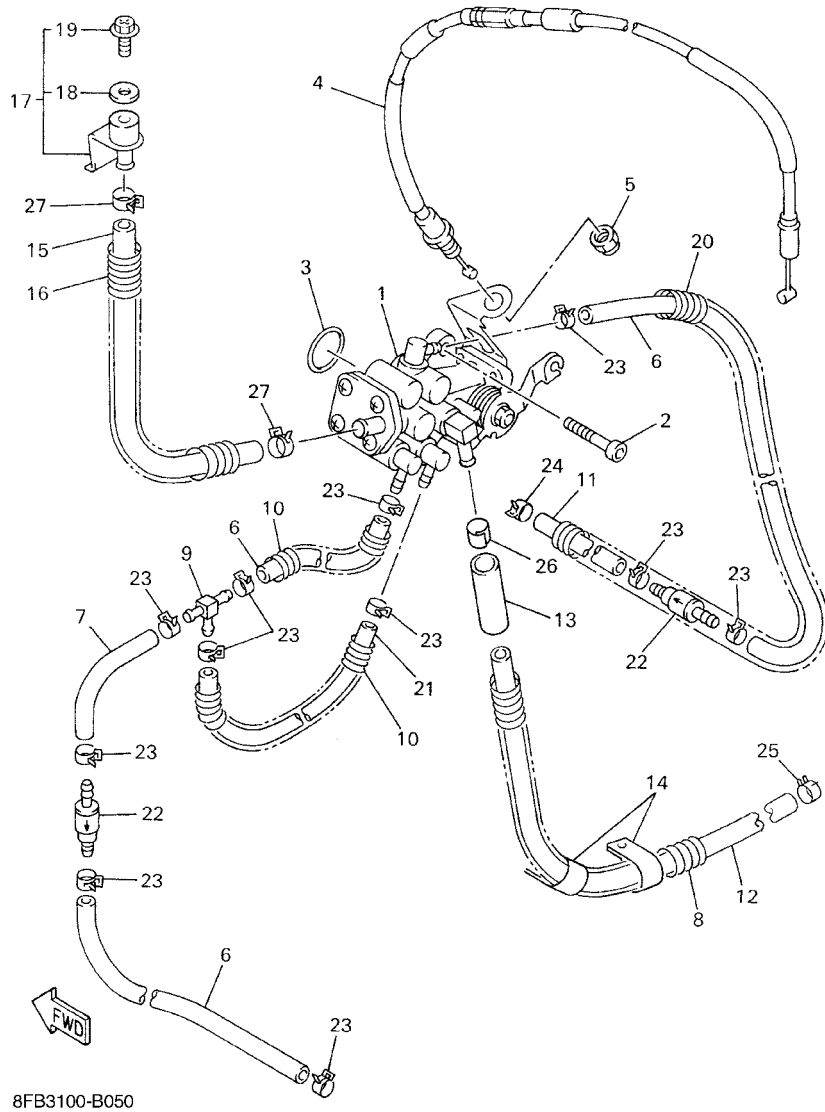
FIG. 4 RADIATOR. HOSE



8EK3100-B040

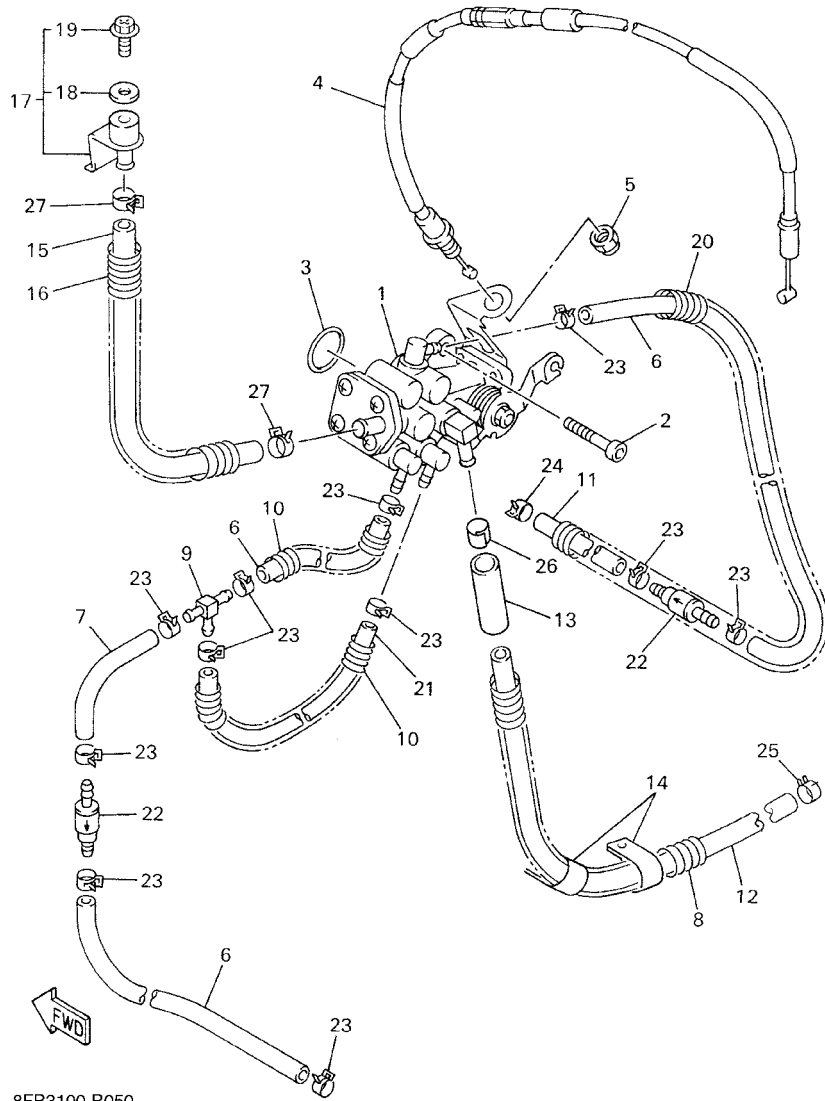
REF. NO.	PART NO.	DESCRIPTION	8EK3	8EK4	8EN1	8EN2	REMARKS
25	90210-06006	.WASHER, SEAL	1	1	1	1	
26	95817-06016	.BOLT, FLANGE	1	1			
	98507-06008	.SCREW			1	1	
27	8EK-1240E-00	HEAT EXCHANGER	1	1			
	8EN-1240E-00	HEAT EXCHANGER			1	1	
28	8DF-12485-00	PIPE 5	1	1	1	1	
29	8EK-12476-00	PIPE 6	1	1	1	1	
30	90467-28046	CLIP	10	10	10	10	
31	90450-35001	HOSE CLAMP ASSY	8	8	8	8	
32	90267-47186	RIVET, BLIND	6	6	8	8	
33	90267-47195	RIVET, BLIND	36	36	32	32	
34	90267-47195	RIVET, BLIND	4	4	8	8	
35	8EK-12477-00	PIPE 7	1	1	1	1	
36	90467-11090	CLIP	2	2	2	2	

FIG. 5 OIL PUMP



REF. NO.	PART NO.	DESCRIPTION	8EK3	8EK4	8EN1	8EN2	REMARKS
1	8DN-13100-00	OIL PUMP ASSY	1	1	1	1	
2	90110-05227	BOLT, HEXAGON SOCKET HEAD	2	2	2	2	
3	93210-191A1	O-RING	1	1	1	1	
4	8EK-26320-00	PUMP CABLE ASSY	1	1			
	8EN-26320-00	PUMP CABLE ASSY			1	1	
5	95707-08300	NUT, FLANGE	1	1	1	1	
6	91A30-03010	TUBE, FLEXIBLE VINYL	3	3	3	3	
7	91A30-03006	TUBE, FLEXIBLE VINYL	1	1	1	1	
8	90501-080A0	SPRING, COMPRESSION	1	1	1	1	
9	8H0-24379-00	JOINT	1	1	1	1	
10	90501-06028	SPRING, COMPRESSION	2	2	2	2	
11	91A30-03008	TUBE, FLEXIBLE VINYL	1	1	1	1	
12	91A30-05048	TUBE, FLEXIBLE VINYL	1	1	1	1	
13	90445-131H1	HOSE (L33)	1	1	1	1	
14	90462-08237	CLAMP	2	2	2	2	
15	91A30-07010	TUBE, FLEXIBLE VINYL	1	1	1	1	
16	90501-083G4	SPRING, COMPRESSION	1	1	1	1	
17	8DF-13185-00	BOLT, BREATHER	1	1	1	1	
18	8DF-13187-00	.GASKET, BREATHER BOLT	1	1	1	1	
19	8DF-13573-00	.BOLT 1	1	1	1	1	
20	90501-08486	SPRING, COMPRESSION	1	1	1	1	
21	91A30-03012	TUBE, FLEXIBLE VINYL	1	1	1	1	
22	8CH-1316A-00	CHECK VALVE ASSY	2	2	2	2	
23	90468-02025	CLIP	11	11	11	11	
24	90467-07055	CLIP	1	1	1	1	
25	90467-09026	CLIP	1	1	1	1	
26	90468-02078	CLIP	1	1	1	1	

FIG. 5 OIL PUMP



REF. NO.	PART NO.	DESCRIPTION	8EK3	8EK4	8EN1	8EN2	REMARKS
27	90467-11032	CLIP	2	2	2	2	

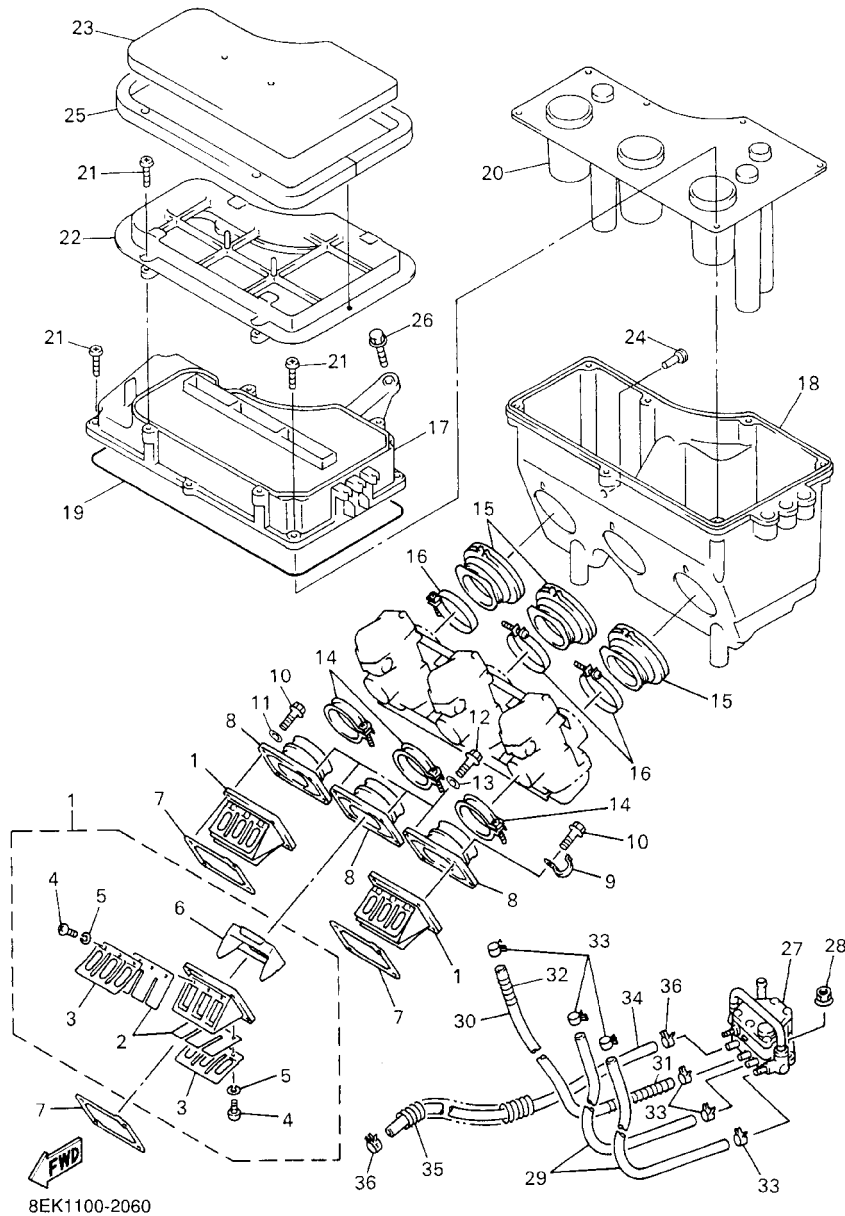
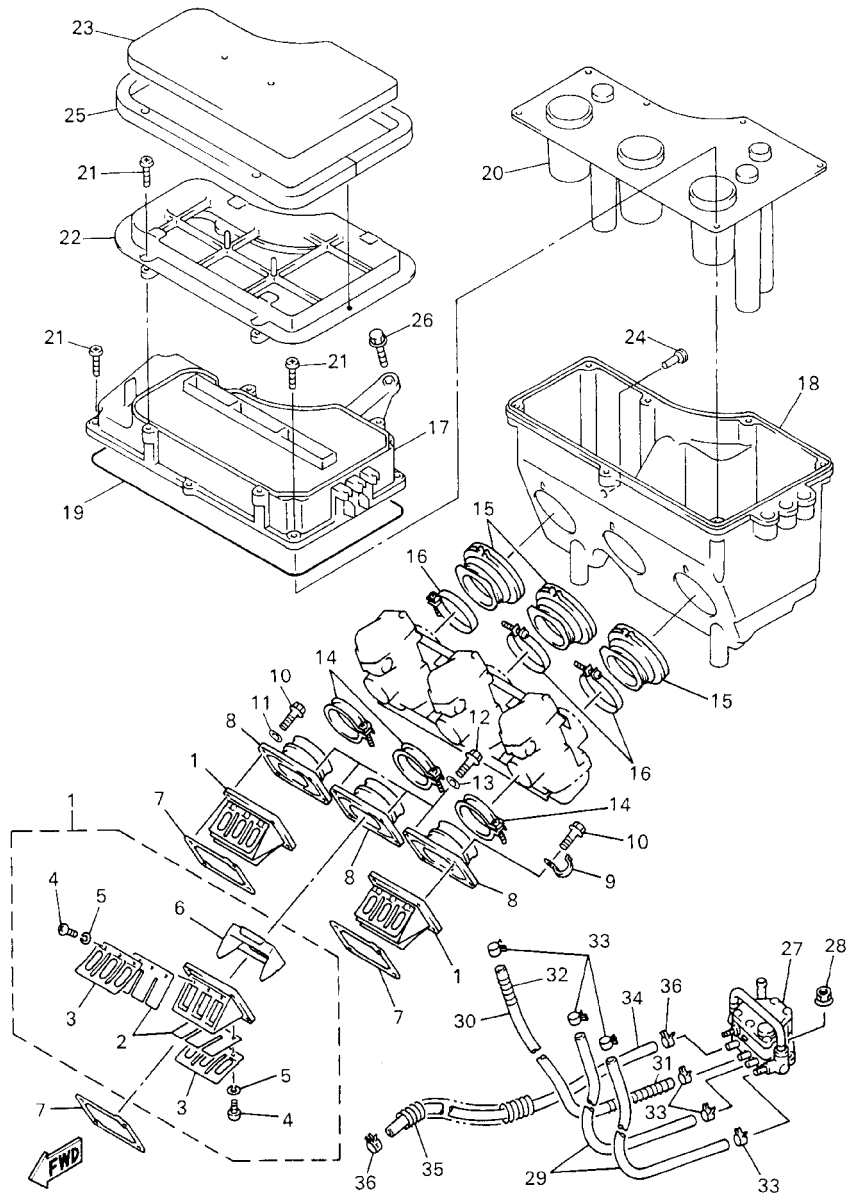


FIG. 6 INTAKE

REF. NO.	PART NO.	DESCRIPTION	8EK3	8EK4	8EN1	8EN2	REMARKS
1	8DF-13610-00	REED VALVE ASSY	3	3	3	3	
2	2KM-13613-00	.REED, VALVE	2	2	2	2	
3	8DF-13616-00	.STOPPER, REED VALVE	2	2	2	2	
4	98507-03006	.SCREW	6	6	6	6	
5	92907-03100	.WASHER, SPRING	6	6	6	6	
6	8DF-13625-00	.SPACER, REED VALVE	1	1	1	1	
7	8DF-13621-00	GASKET, VALVE SEAT	3	3	3	3	
8	8EK-13555-00	MANIFOLD, INTAKE	3	3	3	3	
9	90462-08239	CLAMP	1	1	1	1	
10	97017-06025	BOLT	8	8	8	8	
11	92907-06600	WASHER, PLATE	8	8	8	8	
12	97017-06025	BOLT	4	4	4	4	
13	92907-06600	WASHER, PLATE	4	4	4	4	
14	90460-56073	CLAMP, HOSE	3	3	3	3	
15	8DF-14453-01	JOINT, AIR CLEANER 1	3	3	3	3	
16	90450-53061	HOSE CLAMP ASSY	3	3	3	3	
17	8EK-14431-00	SILENCER, INTAKE 1	1	1	1	1	
18	8EK-14441-00	SILENCER, INTAKE 2	1	1	1	1	
19	8CH-14452-00	SEAL	1	1	1	1	
20	8EK-14477-00	PLATE	1	1	1	1	
21	90167-05043	SCREW, TAPPING	11	11	11	11	
22	8EK-14458-00	GUIDE	1	1	1	1	
23	8EK-14451-00	ELEMENT, AIR CLEANER	1	1	1	1	
24	8EK-14454-00	JOINT	1	1	1	1	
25	8EK-14425-00	DAMPER 1	1	1	1	1	
26	90119-06182	BOLT, WITH WASHER	1	1	1	1	
27	8DF-24410-00	FUEL PUMP ASSY	1	1	1	1	

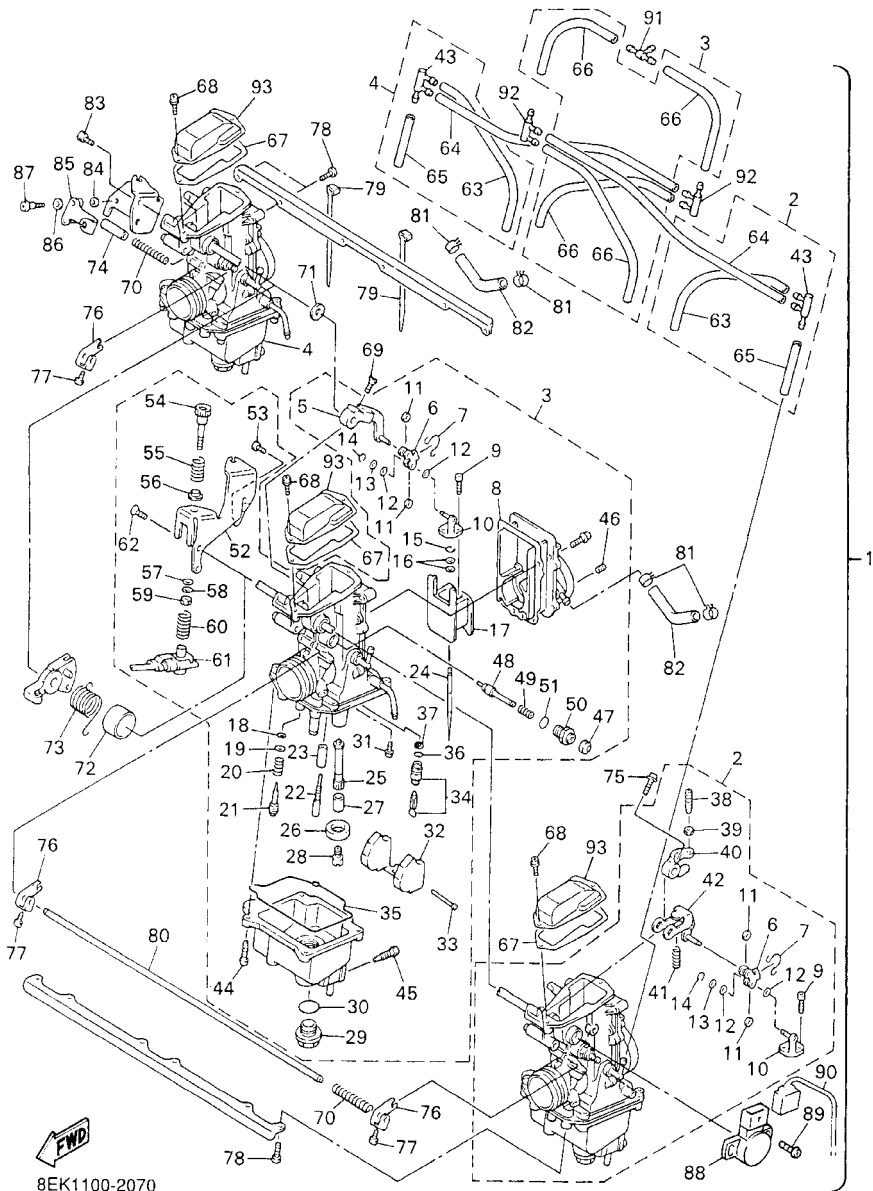


8EK1100-2060

FIG. 6 INTAKE

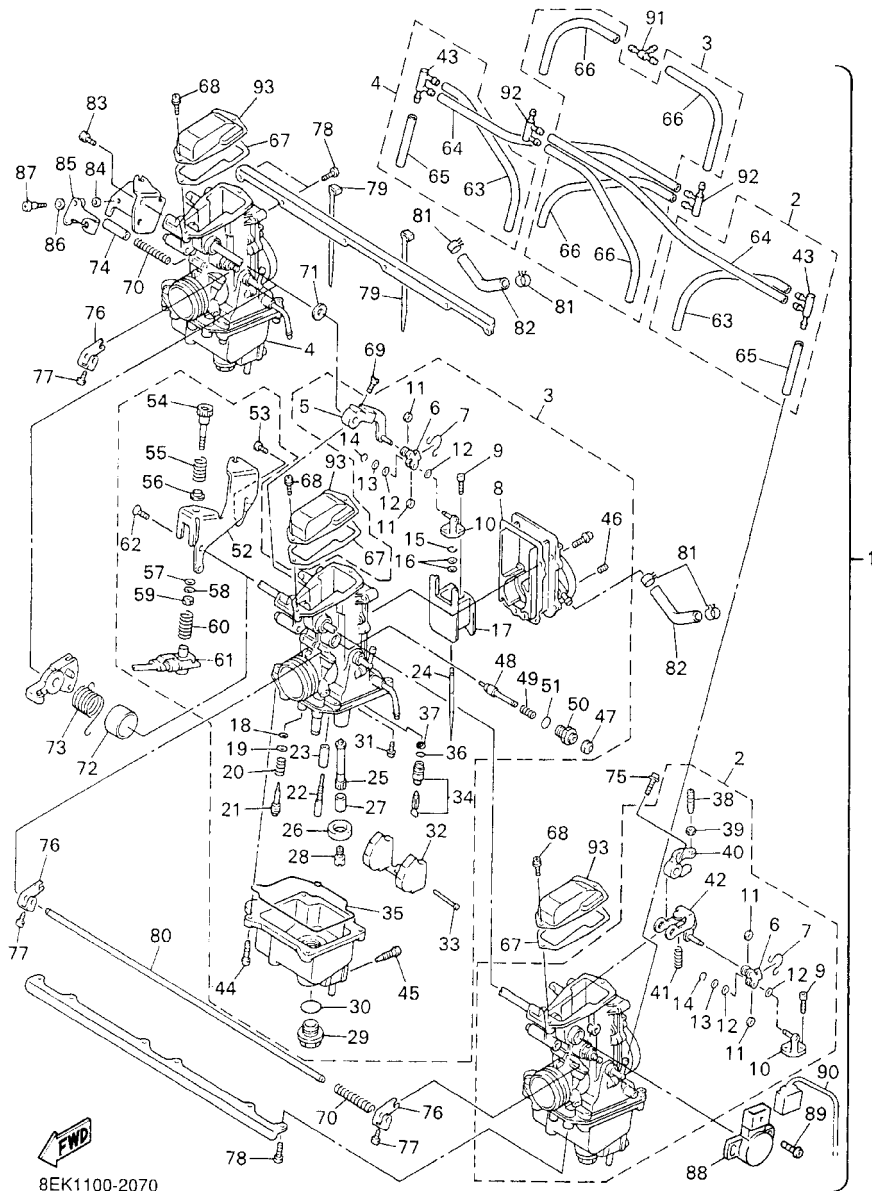
REF. NO.	PART NO.	DESCRIPTION	8EK3	8EK4	8EN1	8EN2	REMARKS
28	95707-06500	NUT, FLANGE	2	2	2	2	
29	90445-094K7	HOSE (L180)	2	2	2	2	
30	8DF-14294-00	HOSE	1	1	1	1	
31	90501-085L6	SPRING, COMPRESSION	1	1	1	1	
32	90501-085L7	SPRING, COMPRESSION	1	1	1	1	
33	90467-09026	CLIP	6	6	6	6	
34	90445-11730	HOSE (L280)	1	1	1	1	
35	90501-08486	SPRING, COMPRESSION	1	1	1	1	
36	90467-11032	CLIP	2	2	2	2	

FIG. 7 CARBURETOR



REF. NO.	PART NO.	DESCRIPTION	8EK3	8EK4	8EN1	8EN2	REMARKS
1	8EK-14100-00	CARBURETOR ASSY	1	1	1	1	
2	8EK-14101-00	..CARBURETOR ASSY 1	1	1	1	1	
3	8EK-14102-00	..CARBURETOR ASSY 2	1	1	1	1	
4	8EK-14103-00	..CARBURETOR ASSY 3	1	1	1	1	
5	89A-14292-00	..LEVER A	1	1	1	1	#2
6	89A-14243-00	..PLATE	1	1	1	1	
7	89A-14137-00	..CLIP	1	1	1	1	
8	89A-14199-00	..GASKET	1	1	1	1	
9	8CC-14216-00	..SCREW	2	2	2	2	
10	89A-14188-00	..CONNECTOR	1	1	1	1	
11	3MA-14918-00	..RING	2	2	2	2	
12	3GF-14126-00	..GASKET	2	2	2	2	
13	620-14198-00	..GASKET	1	1	1	1	
14	3MA-14937-00	..CLIP	1	1	1	1	
15	3MA-14159-00	..CLIP	1	1	1	1	
16	8AB-14227-00	..WASHER (T=0.4MM)	2	2	2	2	
17	8EK-14112-15	..VALVE, THROTTLE 1	1	1	1	1	
18	3H1-14147-00	..O-RING	1	1	1	1	
19	3H1-14962-00	..WASHER	1	1	1	1	
20	5K7-14134-00	..SPRING, AIR ADJUSTING	1	1	1	1	
21	89A-14565-00	..SCREW, PILOT ADJUSTING	1	1	1	1	
22	3H1-14142-45	..JET, PILOT (# 45)	1	1	1	1	STD
	3H1-14142-47	..JET, PILOT (# 47.5)	1	1	1	1	AP
	3H1-14142-50	..JET, PILOT (# 50)	1	1	1	1	AP
	3H1-14142-52	..JET, PILOT (# 52.5)	1	1	1	1	AP
	3H1-14142-55	..JET, PILOT (# 55)	1	1	1	1	AP
23	89A-14996-00	..PIPE	1	1	1	1	

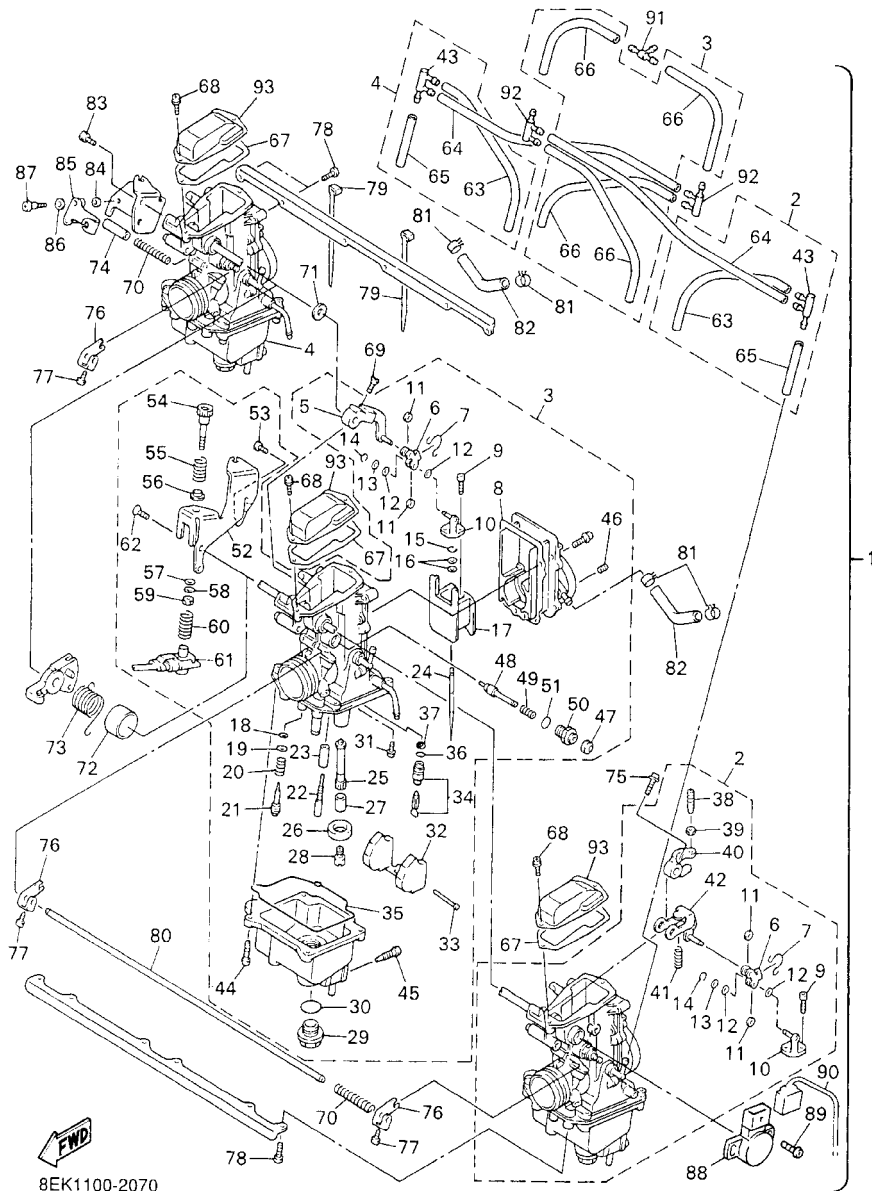
FIG. 7 CARBURETOR



8EK1100-2070

REF. NO.	PART NO.	DESCRIPTION	8EK3	8EK4	8EN1	8EN2	REMARKS
24	1T1-14116-A4	..NEEDLE	1	1	1	1	
25	89A-14141-48	..NOZZLE, MAIN	1	1	1	1	
26	1LX-14153-00	..WASHER, MAIN JET	1	1	1	1	
27	89A-14194-00	..RING	1	1	1	1	
28	3G2-1423E-62	..JET, MAIN (#156.3)	1	1	1	1	STD
	3G2-14231-32	..JET, MAIN (#160)	1	1	1	1	AP
	3G2-1423E-63	..JET, MAIN	1	1	1	1	AP
	3G2-1423A-82	..JET, MAIN (#157.5)	1	1	1	1	AP
	3G2-14231-31	..JET, MAIN (#155)	1	1	1	1	AP
	3G2-1423E-61	..JET, MAIN (#153.8)	1	1	1	1	AP
	3G2-1423A-81	..JET, MAIN (#152.5)	1	1	1	1	AP
	3G2-1423E-60	..JET, MAIN (#151.3)	1	1	1	1	AP
	3G2-14231-30	..JET, MAIN (#150)	1	1	1	1	AP
	3G2-1423E-59	..JET, MAIN (#148.8)	1	1	1	1	AP
	3G2-1423A-80	..JET, MAIN (#147.5)	1	1	1	1	AP
	3G2-1423E-58	..JET, MAIN (#146.3)	1	1	1	1	AP
	3G2-14231-29	..JET, MAIN (#145)	1	1	1	1	AP
	3G2-1423E-57	..JET, MAIN (#143.8)	1	1	1	1	AP
	3G2-1423E-56	..JET, MAIN (#141.3)	1	1	1	1	AP
	3G2-14231-28	..JET, MAIN (#140)	1	1	1	1	AP
	3G2-1423E-55	..JET, MAIN (#138.8)	1	1	1	1	AP
29	500-14115-00	..PLUG, SCREW	1	1	1	1	
30	558-14147-00	..O-RING	1	1	1	1	
31	2LN-14565-00	..SCREW	1	1	1	1	
32	8EK-14185-00	..FLOAT	1	1	1	1	
33	537-14186-00	..PIN, FLOAT	1	1	1	1	
34	1AE-14190-13	..NEEDLE VALVE ASSY	1	1	1	1	

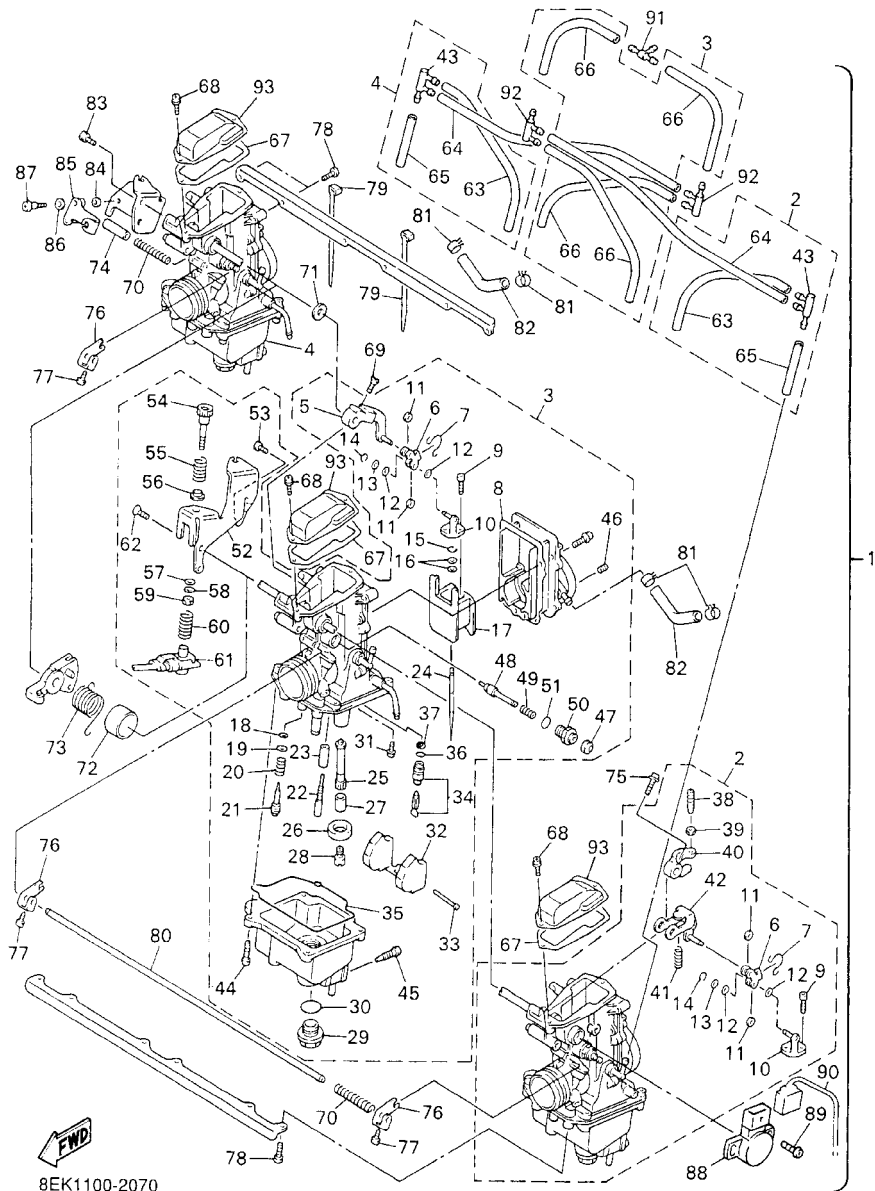
FIG. 7 CARBURETOR



8EK1100-2070

REF. NO.	PART NO.	DESCRIPTION	8EK3	8EK4	8EN1	8EN2	REMARKS
35	89A-14147-00	..O-RING	1	1	1	1	
36	8F2-14147-00	..O-RING	1	1	1	1	
37	1J7-14994-00	..NET, FILTER	1	1	1	1	
38	89A-14216-00	..SCREW	1	1	1	1	#1,3
39	95302-05700	..NUT	1	1	1	1	#1,3
40	89A-14276-00	..LEVER	1	1	1	1	#1,3
41	89A-14286-00	..SPRING	1	1	1	1	#1,3
42	89A-14905-00	..LEVER, STARTER	1	1	1	1	#1,3
43	8EK-14251-00	..NIPPLE	1	1	1	1	#1,3
44	98501-04014	..SCREW, PAN HEAD	4	4	4	4	
45	12R-14191-00	..PLUG, DRAIN	1	1	1	1	
46	239-14172-10	..PILOT JET, AIR (1.0)	1	1	1	1	
47	302-14173-00	..COVER, PLUNGER CAP	1	1	1	1	
48	8EK-14171-00	..PLUNGER, STARTER	1	1	1	1	
49	1AW-14135-00	..SPRING, PLUNGER	1	1	1	1	
50	1FN-14174-00	..CAP, PLUNGER	1	1	1	1	
51	1AE-14147-00	..O-RING	1	1	1	1	
52	8CH-14995-00	..BRACKET	1	1	1	1	#2
53	98502-04010	..SCREW, PAN HEAD	1	1	1	1	#2
54	8CC-14122-00	..SCREW, THROTTLE	1	1	1	1	#2
55	2J2-14133-00	..SPRING, THROTTLE STOP	1	1	1	1	#2
56	89A-14265-00	..COLLAR	1	1	1	1	#2
57	22F-14117-00	..WASHER, PLUG SCREW	1	1	1	1	#2
58	1UF-14952-00	..WASHER	1	1	1	1	#2
59	89A-14594-00	..NUT	1	1	1	1	#2
60	89A-24529-00	..SPRING	1	1	1	1	#2
61	87S-8259A-00	..SWITCH, CARBURETOR	1	1	1	1	#2

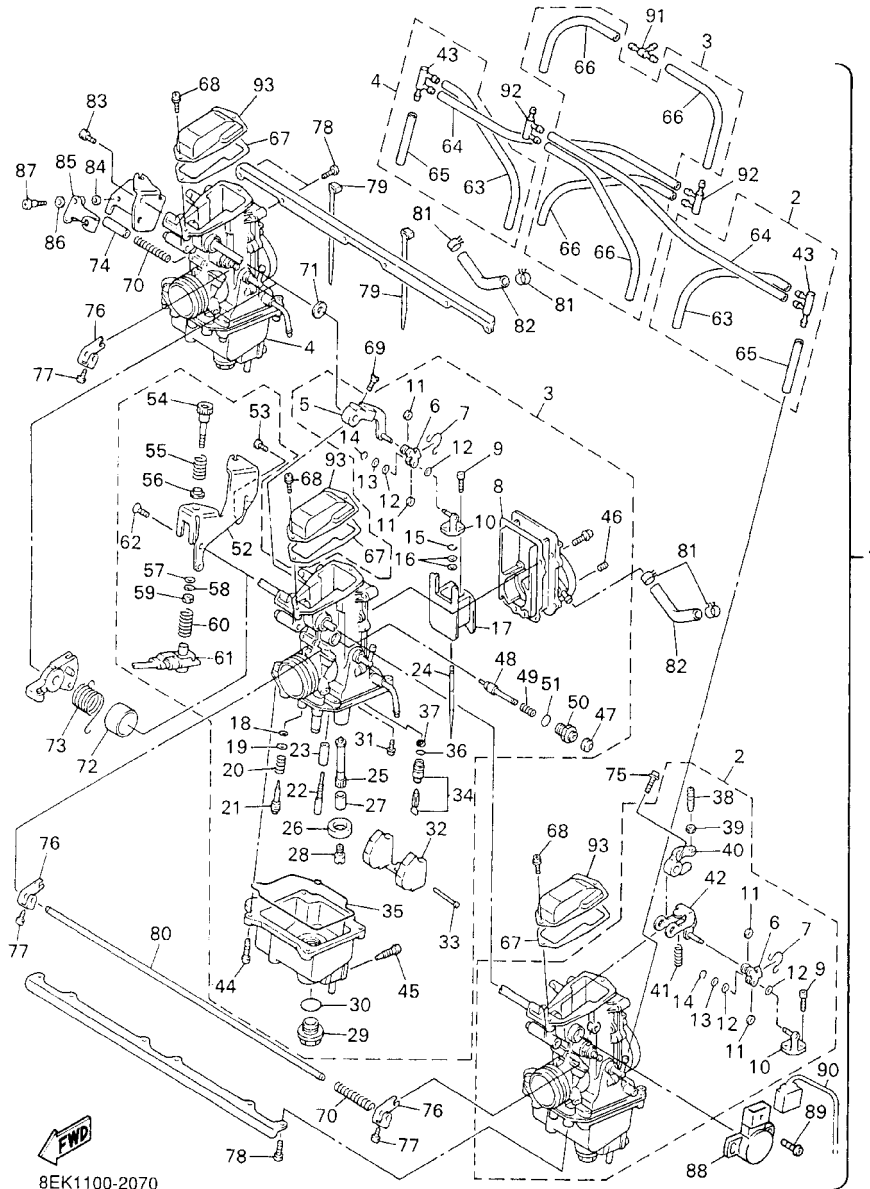
FIG. 7 CARBURETOR



8EK1100-2070

REF. NO.	PART NO.	DESCRIPTION	8EK3	8EK4	8EN1	8EN2	REMARKS
62	98702-05008	..SCREW, FLAT HEAD	1	1	1	1	#2
63	8EK-14348-00	..PIPE 1	1	1	1	1	#1,3
64	8EK-14349-00	..PIPE	1	1	1	1	#1,3
65	8CH-14348-00	..PIPE 1	1	1	1	1	#1,3
66	8F2-14197-00	..PIPE	2	2	2	2	#2
67	89A-14198-00	.GASKET	3	3	3	3	
68	97605-04110	.SCREW, PAN HEAD WITH WASHER	6	6	6	6	
69	98702-04014	.SCREW, FLAT HEAD	1	1	1	1	
70	1AE-14135-00	.SPRING, PLUNGER	2	2	2	2	
71	3H1-14227-00	.WASHER	1	1	1	1	
72	89A-14264-00	.COLLAR	1	1	1	1	
73	8CH-14589-00	.SPRING	1	1	1	1	
74	89A-14118-00	.CAP	1	1	1	1	
75	97602-04116	.SCREW, PAN HEAD WITH WASHER	2	2	2	2	
76	89A-14208-00	.LEVER COMP. 1	3	3	3	3	
77	11H-14991-00	.SCREW	3	3	3	3	
78	98502-05012	.SCREW, PAN HEAD	12	12	12	12	
79	35H-14139-00	.CLIP, PIPE	6	6	6	6	
80	8CH-14978-00	.SHAFT, STARTER LEVER	1	1	1	1	
81	90467-10035	.CLIP	4	4	4	4	
82	8CH-14987-10	.HOSE	2	2	2	2	
83	97602-05110	.SCREW, PAN HEAD WITH WASHER	1	1	1	1	
84	3FV-14962-00	.WASHER	1	1	1	1	
85	89A-14588-00	.LEVER	1	1	1	1	
86	22F-14117-00	.WASHER, PLUG SCREW	1	1	1	1	
87	22F-14115-00	.PLUG, SCREW	1	1	1	1	
88	5FL-85885-00	.THROTTLE SENSOR ASSY	1	1	1	1	

FIG. 7 CARBURETOR

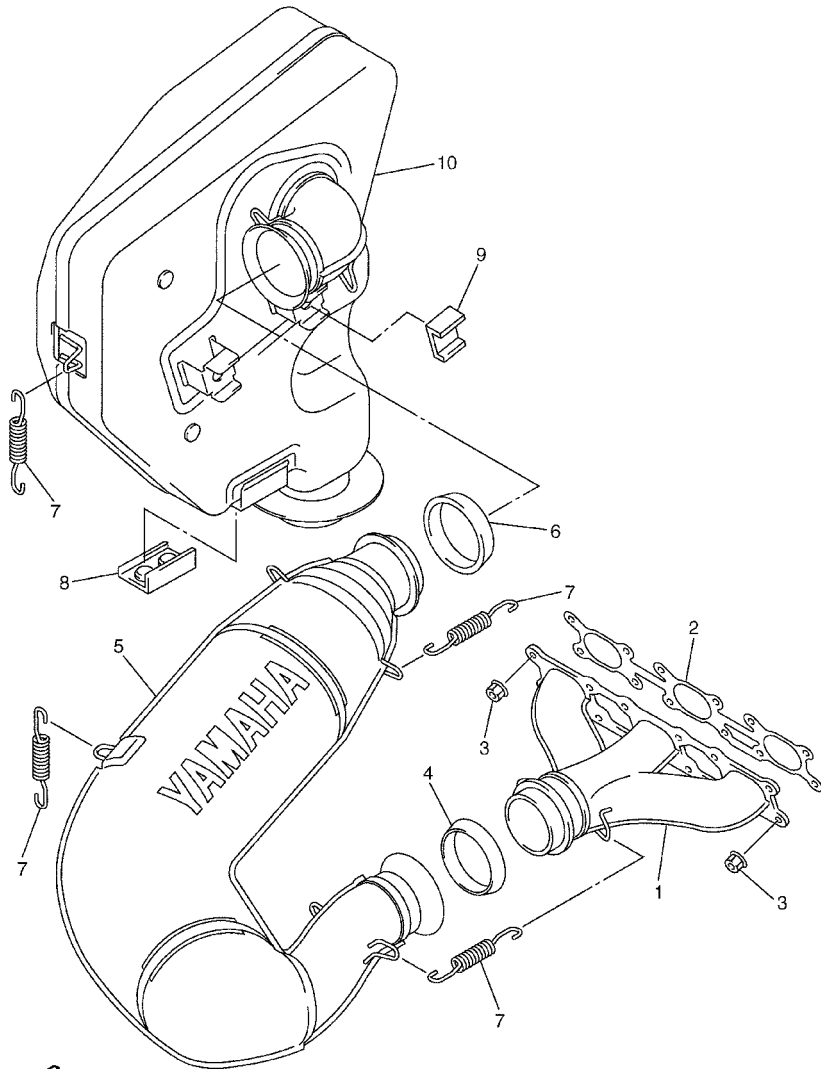


8EK1100-2070

REF. NO.	PART NO.	DESCRIPTION	8EK3	8EK4	8EN1	8EN2	REMARKS
89	8CC-14216-10	.SCREW	2	2	2	2	
90	8DN-82309-00	.WIRE, SUB LEAD	1	1	1	1	
91	4N0-14251-00	.NIPPLE	1	1	1	1	
92	8EK-14251-00	.NIPPLE	2	2	2	2	
93	89A-24452-00	.COVER	3	3	3	3	
<hr/>							
<hr/>							
<hr/>							
<hr/>							
<hr/>							
<hr/>							
<hr/>							
<hr/>							
<hr/>							
<hr/>							

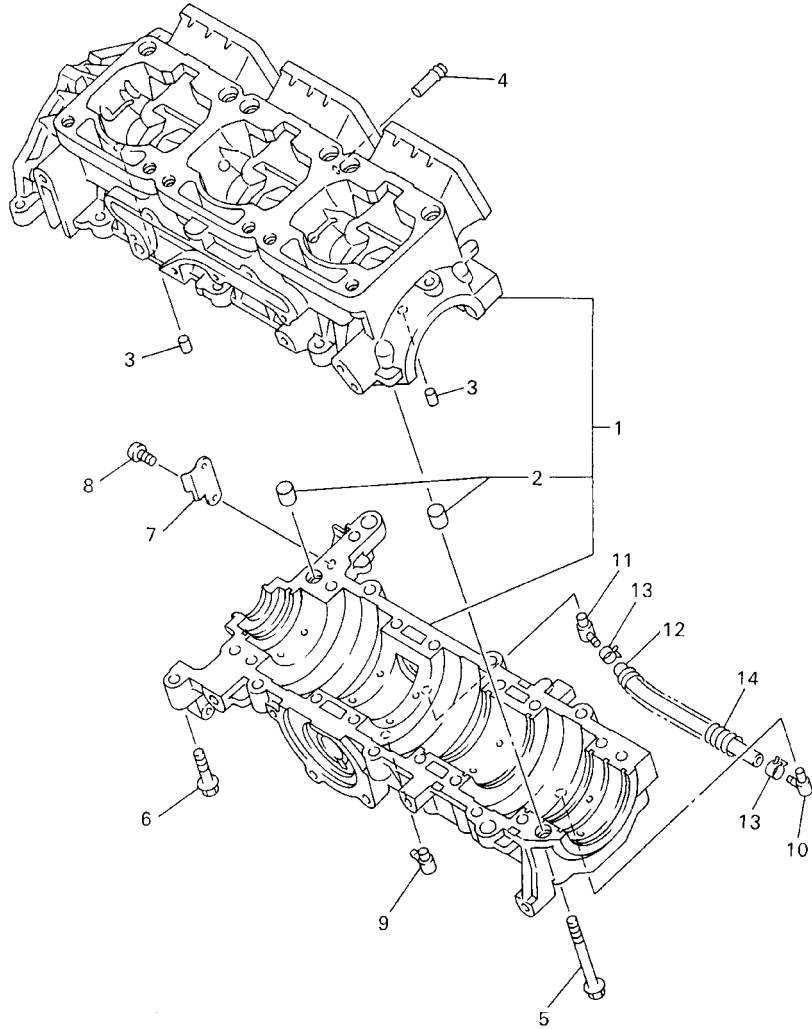
FIG. 8 EXHAUST

REF. NO.	PART NO.	DESCRIPTION	8EK3	8EK4	8EN1	8EN2	REMARKS
1	8EK-14610-00	EXHAUST PIPE ASSY 1	1	1	1	1	
2	8EK-14613-00	GASKET, EXHAUST PIPE	1	1	1	1	
3	95707-06500	NUT, FLANGE	12	12	12	12	
4	8CA-14714-00	GASKET, MUFFLER	1	1	1	1	
5	8EK-14620-00	EXHAUST PIPE ASSY 2	1	1	1	1	
6	8EK-14714-00	GASKET, MUFFLER	1	1	1	1	
7	90506-20272	SPRING, TENSION	7	7	7	7	
8	8EK-14738-00	PROTECTOR, MUFFLER 3	1	1	1	1	
9	8EK-14728-00	PROTECTOR, MUFFLER 2	2	2	2	2	
10	8EK-14640-00	SECOND SILENCER, MUFFLER	1	1	1	1	



 8EK1100-2080

FIG. 9 CRANKCASE

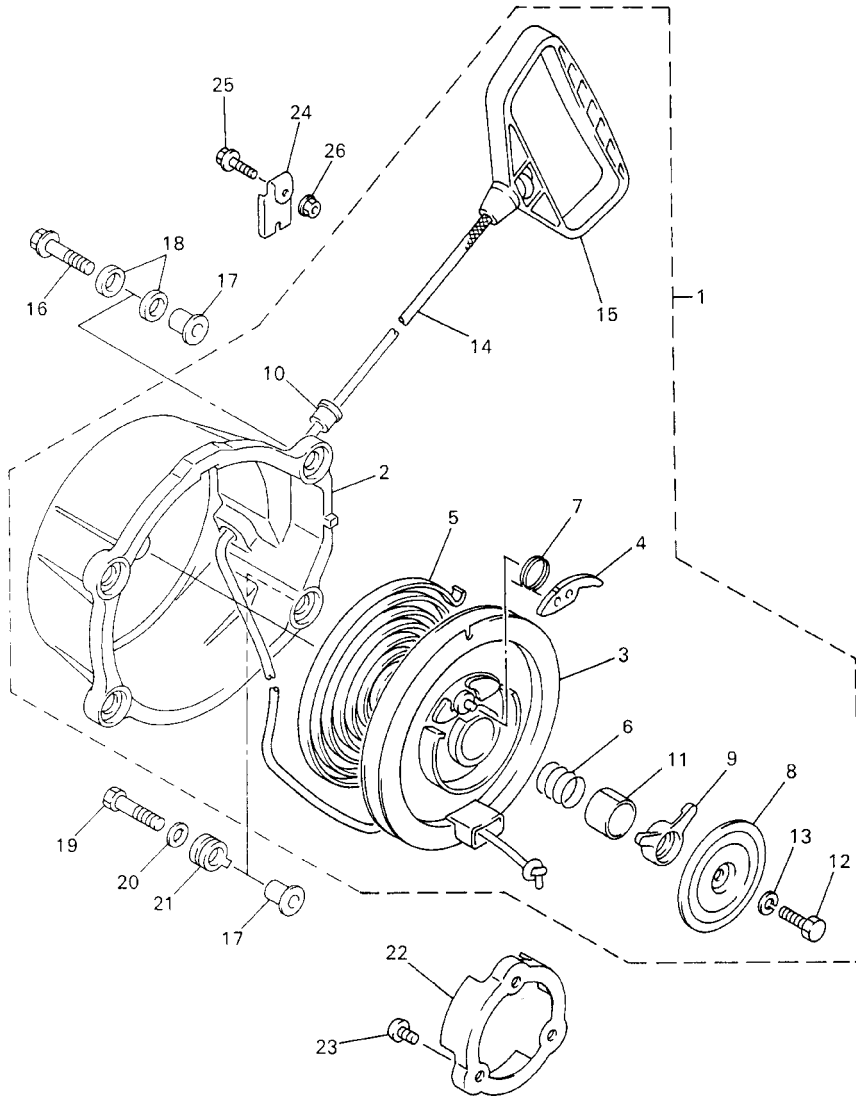


REF. NO.	PART NO.	DESCRIPTION	8EK3	8EK4	8EN1	8EN2	REMARKS
1	8DF-15100-10	CRANKCASE ASSY	1	1	1	1	
2	99530-12016	.PIN, DOWEL	2	2	2	2	
3	93605-10108	PIN, DOWEL	2	2	2	2	
4	J38-11116-00	JOINT, BREATHER	1	1	1	1	
5	95817-08080	BOLT, FLANGE	16	16	16	16	
6	95827-08040	BOLT, FLANGE	8	8	8	8	
7	90461-12001	CLAMP	1	1	1	1	
8	98507-06012	SCREW	2	2	2	2	
9	353-13552-01	NOZZLE	1	1	1	1	
10	8DF-13552-00	NOZZLE	1	1	1	1	
11	8CH-13552-00	NOZZLE	1	1	1	1	
12	90446-08382	HOSE	1	1	1	1	
13	90468-02025	CLIP	2	2	2	2	
14	90501-08430	SPRING, COMPRESSION	1	1	1	1	



8DN3100-0090

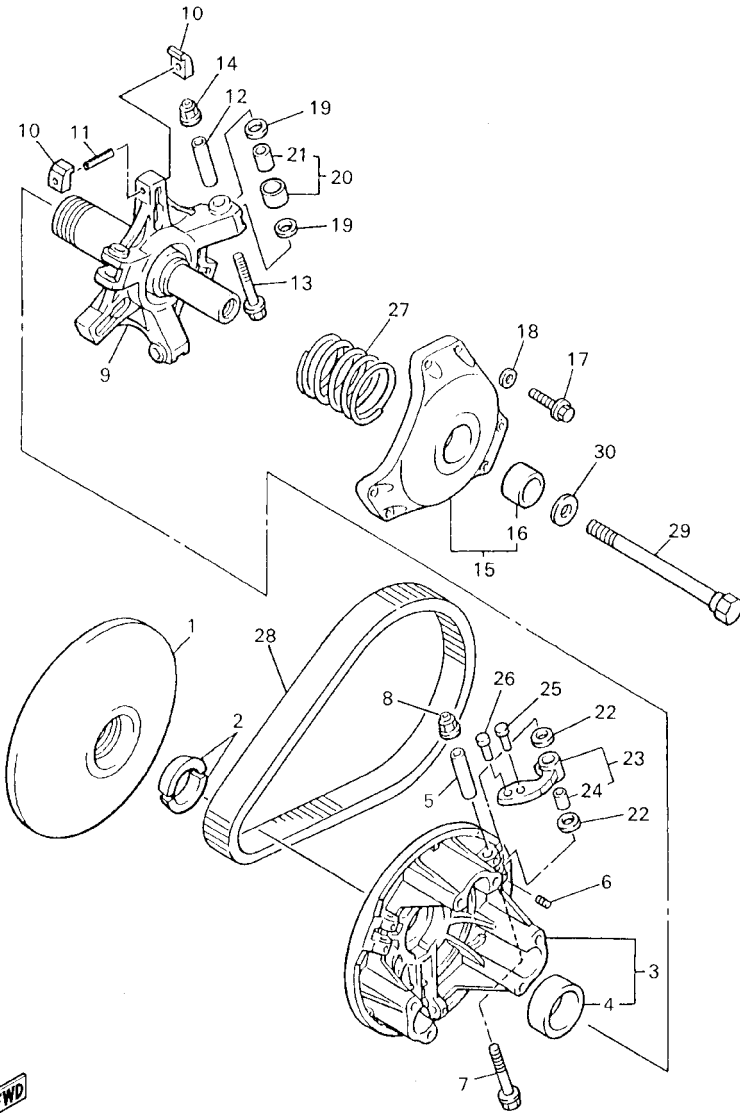
FIG. 10 STARTER



REF. NO.	PART NO.	DESCRIPTION	8EK3	8EK4	8EN1	8EN2	REMARKS
1	8EK-15710-00	STARTER ASSY	1	1	1	1	
2	8EK-15711-00	.CASE, STARTER	1	1	1	1	
3	8DF-15714-00	.DRUM, SHEAVE	1	1	1	1	
4	8EK-15741-00	.PAWL, DRIVE	1	1	1	1	
5	8DF-15713-00	.SPRING, STARTER	1	1	1	1	
6	8DF-15715-00	.SPRING, FRICTION	1	1	1	1	
7	8CH-15767-00	.SPRING	1	1	1	1	
8	8DF-15716-00	.PLATE, DRIVE	1	1	1	1	
9	8DF-15735-00	.GUIDE, CAM	1	1	1	1	
10	8F3-15758-00	.GUIDE, ROPE	1	1	1	1	
11	8DF-15753-00	.BUSH	1	1	1	1	
12	8DF-15768-00	.BOLT	1	1	1	1	
13	92902-08100	.WASHER, SPRING	1	1	1	1	
14	8CH-15751-00	.WIRE, STARTER	1	1	1	1	
15	8F3-15755-00	.HANDLE, STARTER	1	1	1	1	
16	90119-08240	BOLT, WITH WASHER	3	3	3	3	
17	90387-0811L	COLLAR	4	4	4	4	
18	90385-12036	BUSH	6	6	6	6	
19	97027-08035	BOLT	1	1	1	1	
20	92907-08600	WASHER, PLATE	1	1	1	1	
21	90386-12001	BUSH	1	1	1	1	
22	8DF-15723-00	PULLEY, STARTER	1	1	1	1	
23	92017-08012	BOLT	3	3	3	3	
24	8DF-15758-10	GUIDE, ROPE	1	1	1	1	
25	95827-06014	BOLT, FLANGE	1	1	1	1	
26	95707-06500	NUT, FLANGE	1	1	1	1	

 8EK1100-2100

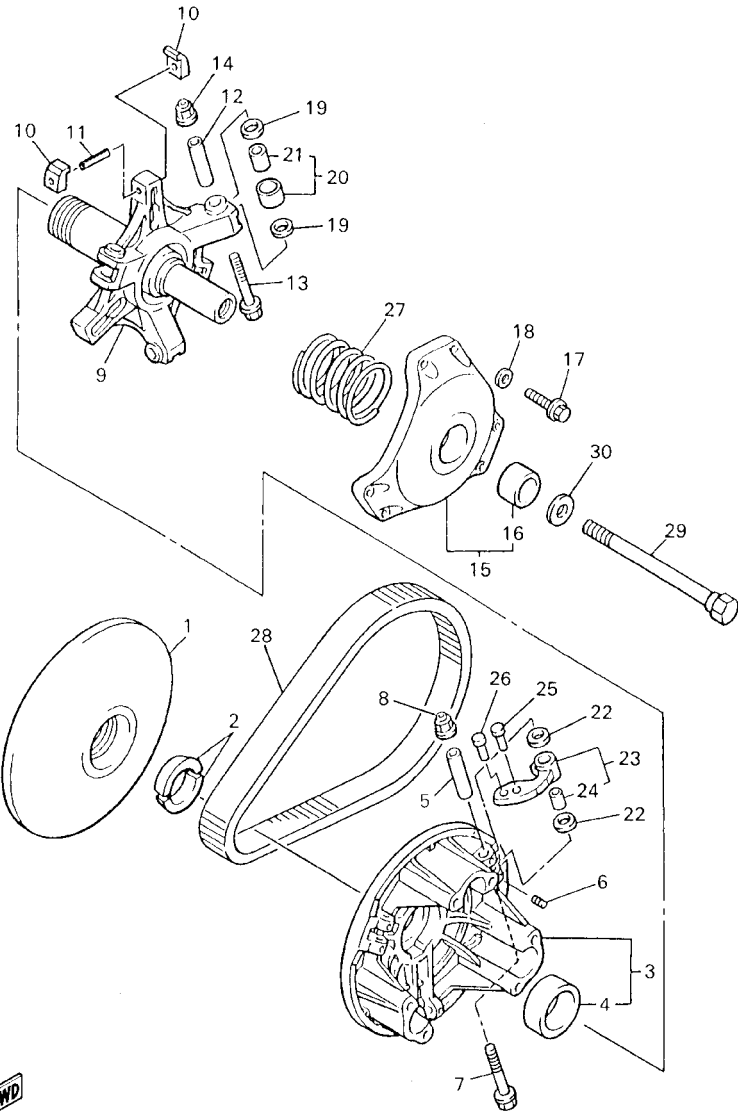
FIG. 11 PRIMARY SHEAVE



8DN3100-0110

REF. NO.	PART NO.	DESCRIPTION	8EK3	8EK4	8EN1	8EN2	REMARKS
1	8CR-17611-01	SHEAVE, PRIMARY FIXED	1	1	1	1	
2	8V0-17639-00	STOPPER	2	2	2	2	
3	8BV-17620-11	PRIMARY SLIDING SHEAVE COMP.	1	1	1	1	
4	90384-41242	.BUSH, BIMETAL FORMED	1	1	1	1	
5	90387-0514T	COLLAR	3	3	3	3	
6	90113-05053	BOLT, SET	6	6	6	6	
7	90105-05644	BOLT, FLANGE	3	3	3	3	
8	95607-05200	NUT, U FLANGE	3	3	3	3	
9	8CA-17640-12	SPIDER COMPLETE	1	1	1	1	
10	8BW-17653-00	SLIDER	6	6	6	6	
11	91609-50032	PIN, SPRING	3	3	3	3	
12	90387-0514U	COLLAR	3	3	3	3	
13	90105-05644	BOLT, FLANGE	3	3	3	3	
14	95607-05200	NUT, U FLANGE	3	3	3	3	
15	8DF-17630-00	PRIMARY SHEAVE CAP COMP.	1	1	1	1	
16	90380-28237	.BUSH, SOLID	1	1	1	1	
17	97017-06030	BOLT	6	6	6	6	
18	92907-06600	WASHER, PLATE	6	6	6	6	
19	90202-09227	WASHER, PLATE	6	6	6	6	
20	8CR-17624-00	ROLLER, COMP	3	3			
	8CR-17624-20	ROLLER, COMP			3	3	
21	90380-09245	.BUSH, SOLID	1	1	1	1	
22	90202-08204	WASHER, PLATE	6	6	6	6	
23	8EK-17605-00	WEIGHT COMP	3	3			
	8DN-17605-10	WEIGHT COMP			3	3	
24	90380-08244	.BUSH, SOLID	1	1	1	1	
25	90261-06033	RIVET, COUNTERSUNK (ST17.2MM)	3	3			IN

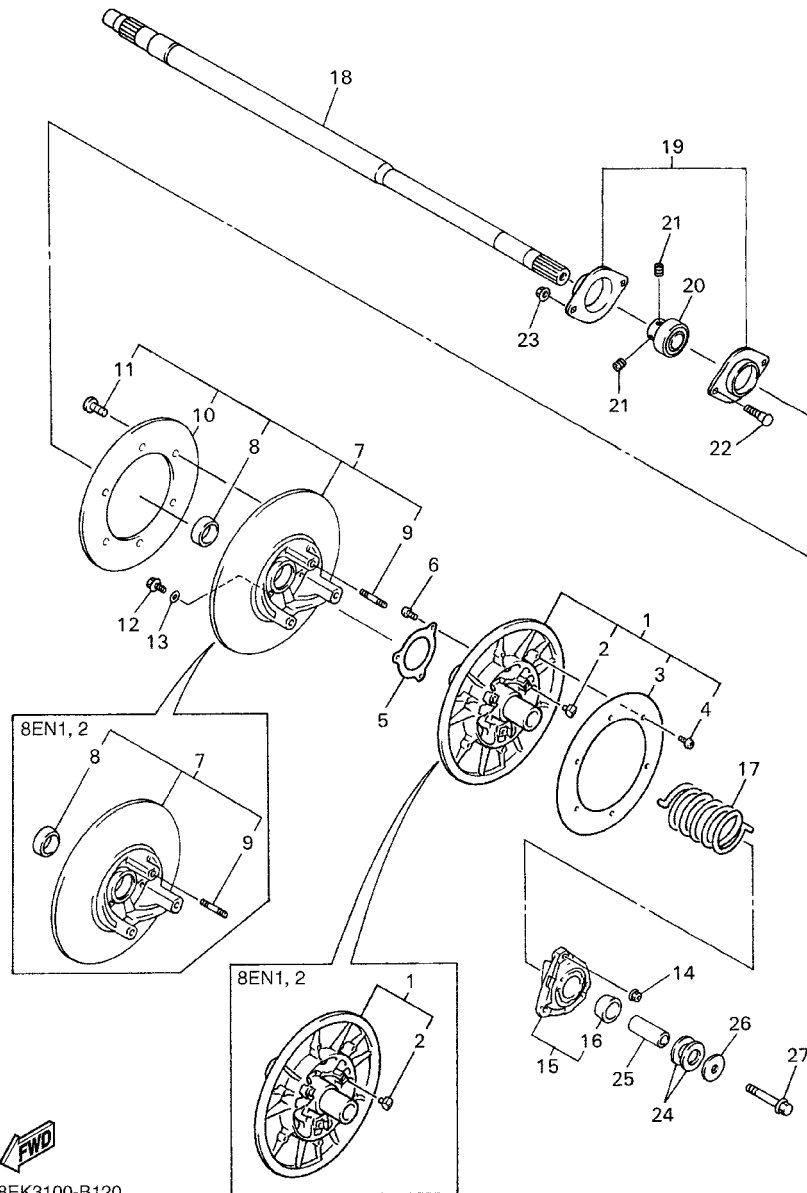
FIG. 11 PRIMARY SHEAVE



 8DN3100-0110

REF. NO.	PART NO.	DESCRIPTION	8EK3	8EK4	8EN1	8EN2	REMARKS
25	90261-06019	RIVET, COUNTERSUNK (ST13.3MM)			3	3	IN
	90261-06033	RIVET, COUNTERSUNK (ST17.2MM)				3	IN FOR JPN
26	90261-06034	RIVET, COUNTERSUNK (ST13.9MM)	3	3			OUT
	90261-06033	RIVET, COUNTERSUNK (ST17.2MM)				3	OUT FOR JPN
27	90501-603L2	SPRING, COMPRESSION	1	1			(Y-WH-Y)
	90501-603L3	SPRING, COMPRESSION			1	1	(GR-WH-GR)
28	8DN-17641-00	V-BELT	1	1	1	1	
29	8V0-17647-00	BOLT (L=156.5MM)	1	1	1	1	
30	92907-16100	WASHER	1	1	1	1	

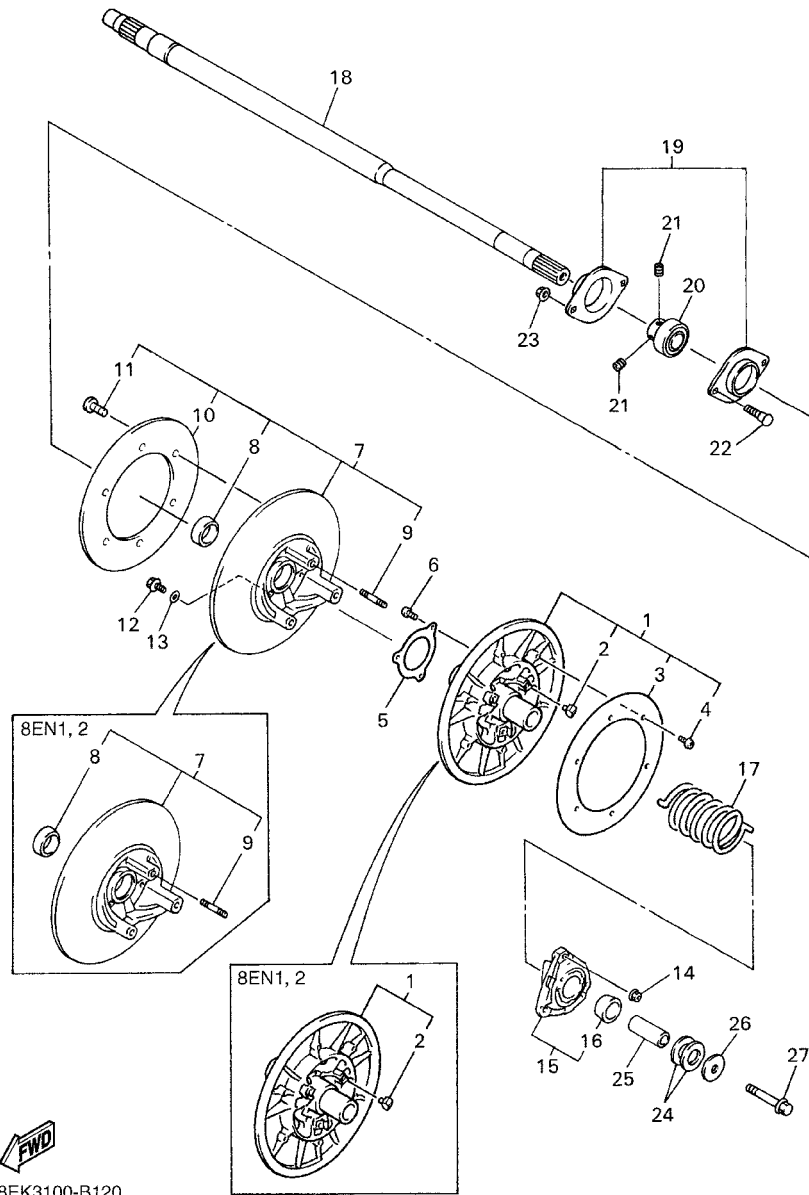
FIG. 12 SECONDARY SHEAVE



8EK3100-B120

REF. NO.	PART NO.	DESCRIPTION	8EK3	8EK4	8EN1	8EN2	REMARKS
1	8CR-17660-10	SECONDARY FIXED SHEAVE COMP.	1	1			
	8CR-17660-20	SECONDARY FIXED SHEAVE COMP.			1	1	
2	8AV-17688-10	.SHOE, RAMP	3	3	3	3	
3	8CM-17665-00	.PLATE 1	1	1			
4	90150-05040	.SCREW, ROUND HEAD	6	6			
5	8BV-17656-00	STOPPER, HOLDER	1	1	1	1	
6	90154-06062	SCREW, BINDING	3	3	3	3	
7	8BU-17670-10	SECONDARY SLIDING SHEAVE	1	1			
	8BU-17670-20	SECONDARY SLIDING SHEAVE			1	1	
8	90384-38243	.BUSH, BIMETAL FORMED	1	1	1	1	
9	95617-08630	.BOLT, STUD	3	3	3	3	
10	8CM-17675-00	.PLATE 2	1	1			
11	90150-05040	.SCREW, ROUND HEAD	6	6			
12	90105-06734	BOLT, FLANGE	3	3	3	3	
13	90201-061H1	WASHER, PLATE (T=0.5)	3	3	3	3	UR UN
	90201-06037	WASHER, PLATE (T=1.0)	3	3	3	3	UR UN
14	90179-08655	NUT	3	3	3	3	
15	8BV-17604-71	SEAT SPRING SET	1	1			
	8BV-17604-51	SEAT SPRING SET			1	1	
16	90384-38243	.BUSH, BIMETAL FORMED	1	1	1	1	
17	90508-536A9	SPRING, TORSION	1	1			
	90508-556A2	SPRING, TORSION			1	1	
18	8CR-17681-10	SHAFT, SECONDARY	1	1	1	1	
19	8CR-47631-01	HOUSING, BEARING	1	1	1	1	
20	93399-99943	BEARING	1	1	1	1	
21	90113-06064	BOLT, SET	2	2	2	2	
22	90109-083G2	BOLT	2	2	2	2	

FIG. 12 SECONDARY SHEAVE

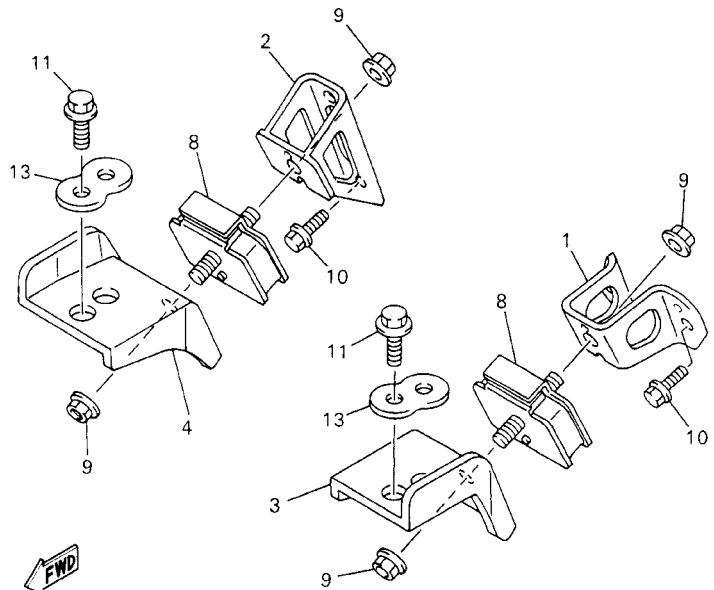
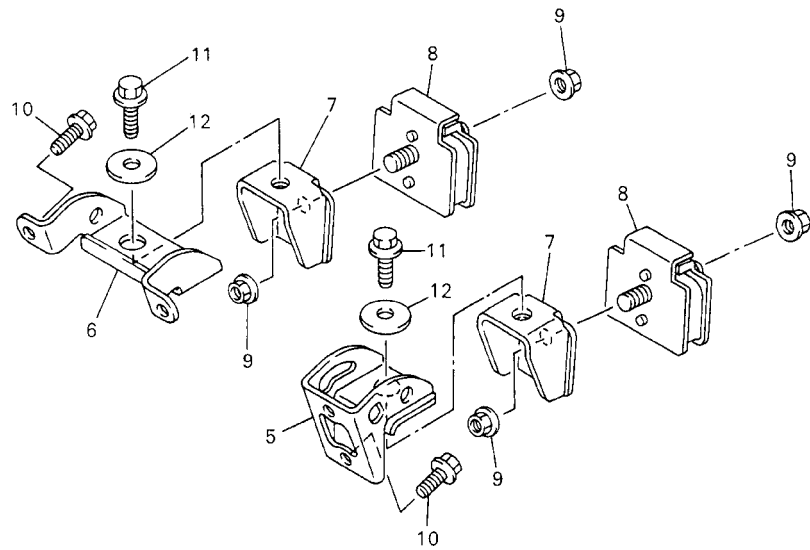


8EK3100-B120

REF. NO.	PART NO.	DESCRIPTION	8EK3	8EK4	8EN1	8EN2	REMARKS
23	95707-08500	NUT, FLANGE	2	2	2	2	
24	90201-222F0	WASHER, PLATE (T=0.5)	1	1	1	1	UR UN
	90201-225A4	WASHER, PLATE (T=1.0)	3	3	3	3	UR UN
25	90387-1407L	COLLAR	1	1	1	1	
26	90201-141A3	WASHER, PLATE	1	1	1	1	
27	90105-14766	BOLT, FLANGE	1	1	1	1	

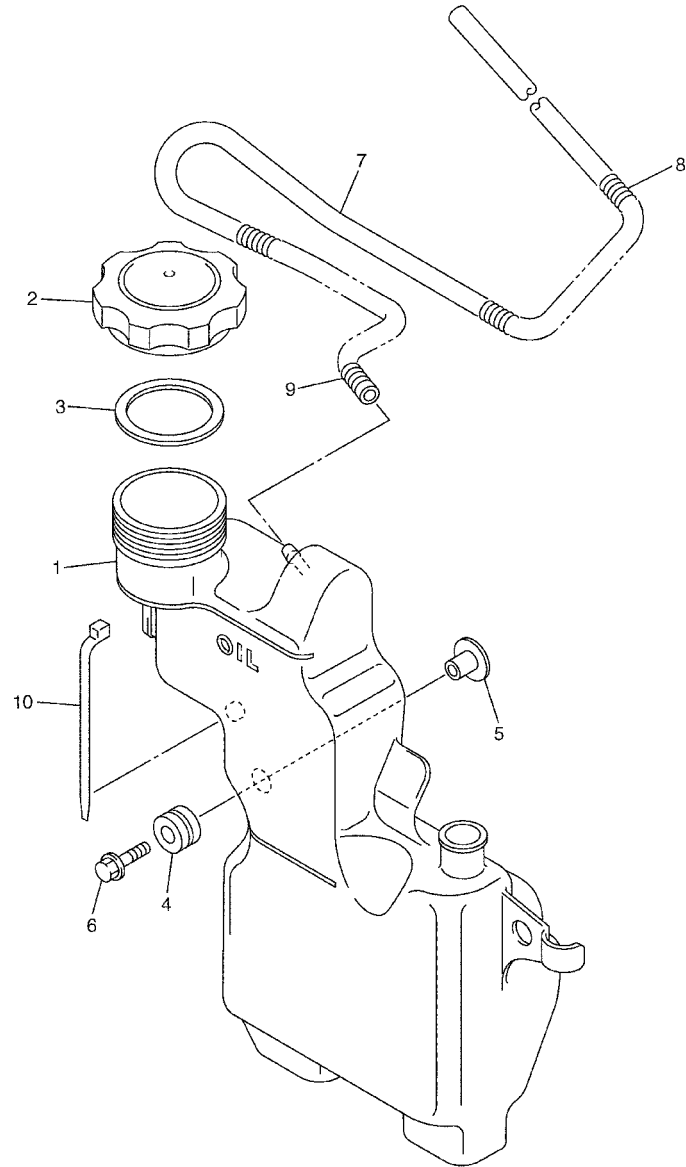
FIG. 13 ENGINE BRACKET

REF. NO.	PART NO.	DESCRIPTION	8EK3	8EK4	8EN1	8EN2	REMARKS
1	8EK-21415-00	BRACKET, FRONT UPPER 1	1	1	1	1	
2	8EK-21416-00	BRACKET, FRONT UPPER 2	1	1	1	1	
3	8DF-21417-01	BRACKET, FRONT LOWER 1	1	1	1	1	
4	8DF-21418-00	BRACKET, FRONT LOWER 2	1	1	1	1	
5	8EK-21425-00	BRACKET, REAR UPPER 1	1	1	1	1	
6	8EK-21426-00	BRACKET, REAR UPPER 2	1	1	1	1	
7	8CR-21427-10	BRACKET, REAR LOWER 1	2	2	2	2	
8	8CH-21486-10	DAMPER 2	4	4	4	4	
9	95707-10500	NUT, FLANGE	8	8	8	8	
10	90105-081A7	BOLT, FLANGE	8	8	8	8	
11	95827-10025	BOLT, FLANGE	6	6	6	6	
12	90201-10321	WASHER, PLATE	2	2	2	2	
13	8DF-2145B-10	PLATE, ENGINE MOUNT	2	2	2	2	



FWD
8EK1100-2130

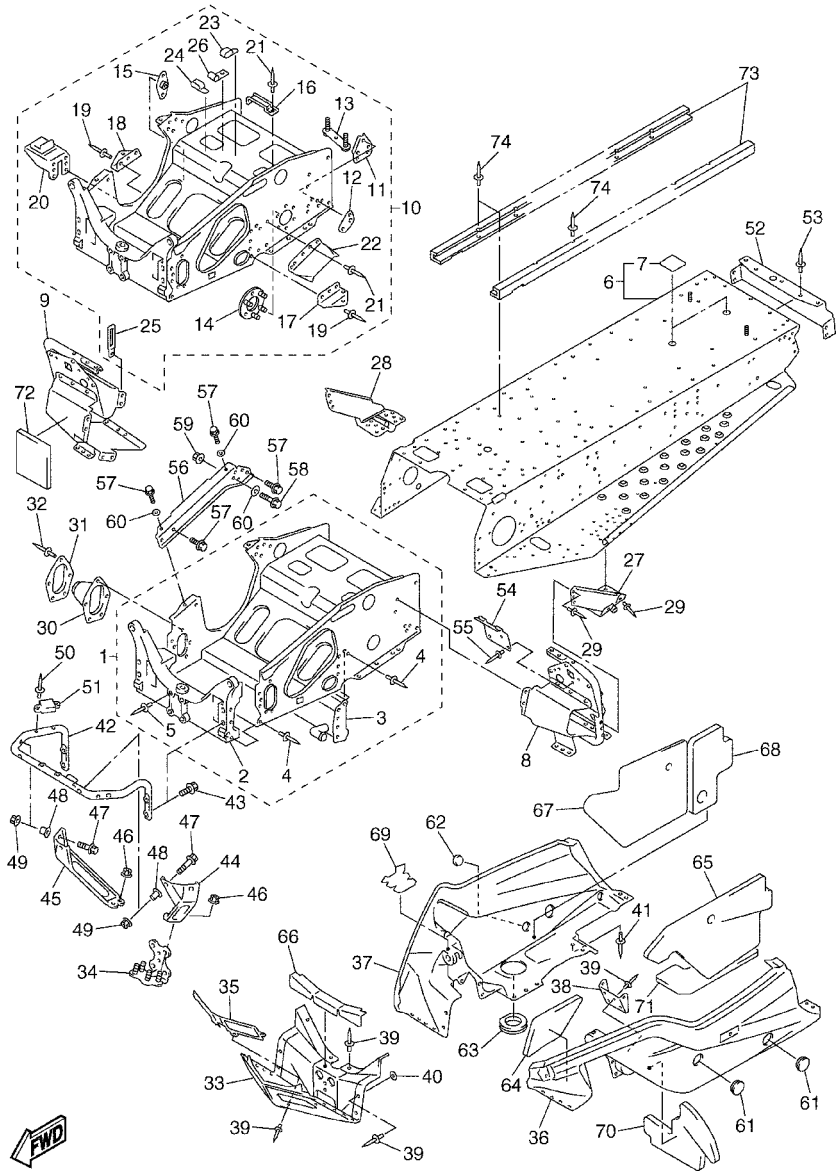
FIG. 14 OIL TANK




8EK1100-2140

REF. NO.	PART NO.	DESCRIPTION	8EK3	8EK4	8EN1	8EN2	REMARKS
1	8EK-21751-00	TANK, OIL	1	1	1	1	
2	8EK-21771-00	BODY, CAP	1	1	1	1	
3	8EK-21772-00	GASKET, CAP	1	1	1	1	
4	90480-14101	GROMMET	2	2	2	2	
5	90387-063G3	COLLAR	2	2	2	2	
6	95827-06025	BOLT, FLANGE	2	2	2	2	
7	91A30-05085	TUBE, FLEXIBLE VINYL	1	1	1	1	
8	90501-08430	SPRING, COMPRESSION	1	1	1	1	
9	90501-08486	SPRING, COMPRESSION	1	1	1	1	
10	90464-13073	CLAMP	1	1	1	1	

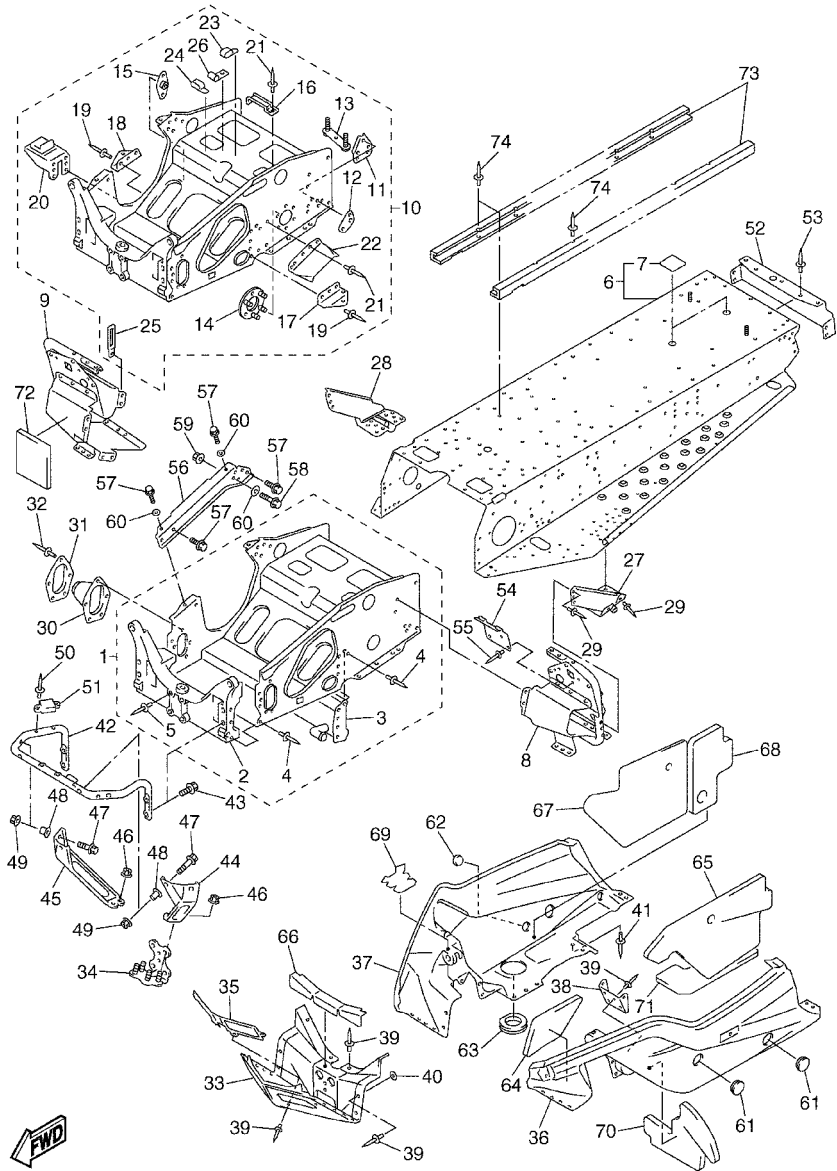
FIG. 15 FRAME



8EK3100-B150

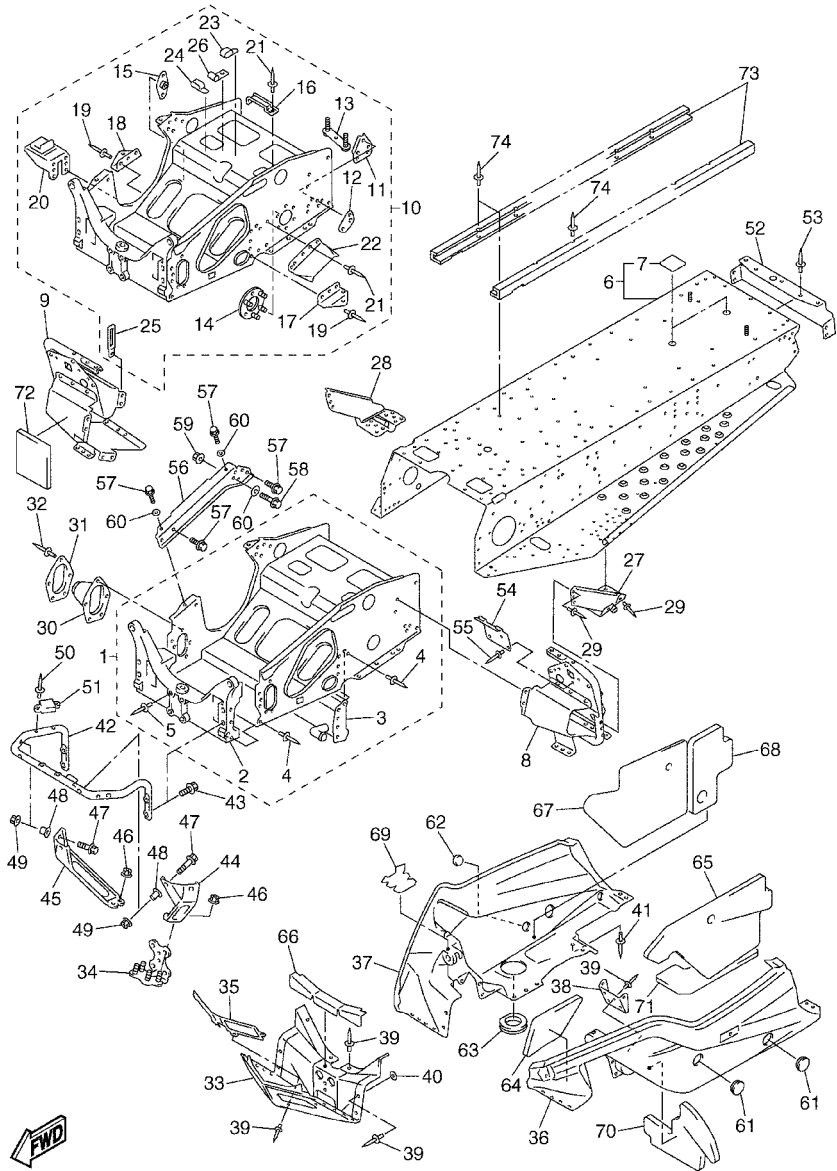
REF. NO.	PART NO.	DESCRIPTION	8EK3	8EK4	8EN1	8EN2	REMARKS
1	8EK-21940-29	FRONT FRAME COMP.	1				
	8EK-21940-19	FRONT FRAME COMP.		1			
2	8EK-2191A-00	.BULKHEAD	1	1			
3	8EK-12440-20	.HEAT EXCHANGER ASSY	1				
	8EK-12440-10	.HEAT EXCHANGER ASSY		1			
4	90267-48016	.RIVET, BLIND	70	70			UN
5	90267-48057	.RIVET, BLIND	5	5			UN
6	8EK-21950-08	REAR FRAME COMP.	1	1			
7	8CR-2198J-00	.COVER 3	2	2			
8	8EK-21960-09	FOOTREST COMP. 1	1	1			
9	8EK-21970-09	FOOTREST COMP. 2	1	1			
10	8EK-W2195-00	FRAME CONNECTION KIT	1	1			
11	8CR-21943-01	.BRACKET, MAIN TRACK 1	2	2			
12	8CR-21953-00	.BRACKET, MAIN TRACK 2	2	2			
13	8CR-2196F-00	.BRACKET 3	1	1			
14	8EK-21920-00	.HOUSING, REINF SUB-ASSY(L.H)	1	1			
15	8CR-21939-00	.BRACKET, CHAIN HOUSING	3	3			
16	8DN-21977-00	.CLAMP, FUEL PIPE	2	2			
17	8EK-21917-00	.PANEL, SUB FRAME 6	1	1			
18	8EK-21918-00	.PANEL, SUB-FRAME 7	1	1			
19	90267-48176	.RIVET, BLIND	4	4			
20	8EK-2194J-00	.STAY, MUFFLER	1	1			
21	90267-47186	.RIVET, BLIND	50	50			UR UN
	90267-47197	.RIVET, BLIND	10	10			UR UN
22	8CR-2198G-01	.COVER 2	1	1			
23	90461-05003	.CLAMP	2	2			
24	90461-06142	.CLAMP	1	1			

FIG. 15 FRAME



8EK3100-B150

REF. NO.	PART NO.	DESCRIPTION	8EK3	8EK4	8EN1	8EN2	REMARKS
25	90462-05059	.CLAMP	1	1			
26	90461-10148	.CLAMP	1	1			
27	8DF-21941-00	PIPE, PIVOT 1	1	1			
28	8DF-21951-00	PIPE, PIVOT 2	1	1			
29	90269-07080	RIVET	16	16			
30	8DN-2198F-00	COVER 1	2	2			
31	8CR-2195E-00	PLATE, STRG BRACKET 1	2	2			
32	90267-47197	RIVET, BLIND	10	10			
33	8EK-21912-00	PANEL, SUB FRAME 1	1	1			
34	8EK-23788-00	PLATE, BACK UP	1	1			
35	8CR-77128-00	STAY 4	1	1			
36	8EK-2196A-01	FRAME UNDER 1	1	1			
37	8EK-2196E-01	FRAME, UNDER 2	1	1			
38	8EK-21972-00	BRACKET, GUARD FITTING	1	1			
39	90267-48018	RIVET, BLIND	28	28			
40	90201-05033	WASHER, PLATE	16	16			
41	90267-47187	RIVET, BLIND	24	24			
42	8EK-77512-00	BUMPER, FRONT 2	1	1			
43	95807-08020	BOLT, FLANGE	4	4			
44	8EK-21949-00	BRACKET, FRONT	1	1			
45	8EK-21959-00	BRACKET, FRONT BUMPER	1	1			
46	95607-08200	NUT, SELF-LOCKING	4	4			
47	95807-08035	BOLT, FLANGE	4	4			
48	90387-08015	COLLAR	4	4			
49	95707-08500	NUT, FLANGE	4	4			
50	90267-48018	RIVET, BLIND	2	2			
51	8DJ-14728-00	PROTECTOR, MUFFLER 2	1	1			

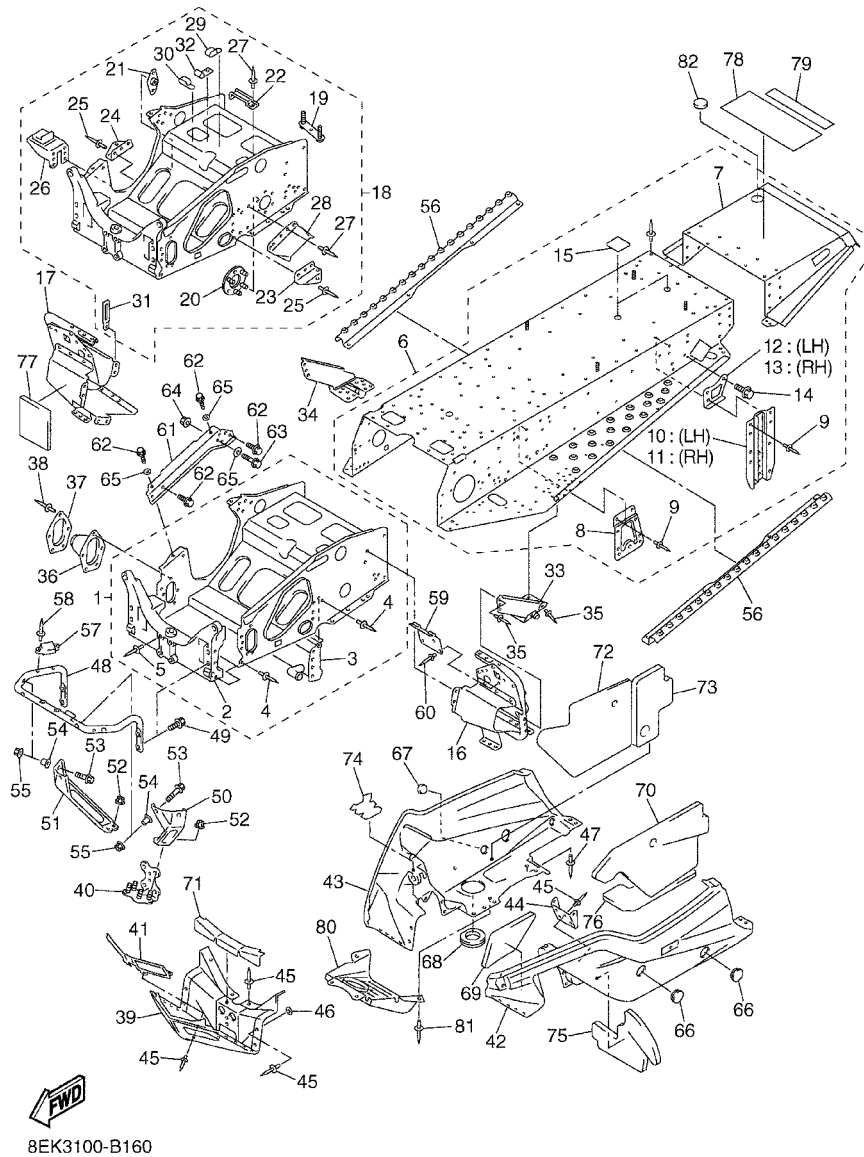


8EK3100-B150

FIG. 15 FRAME

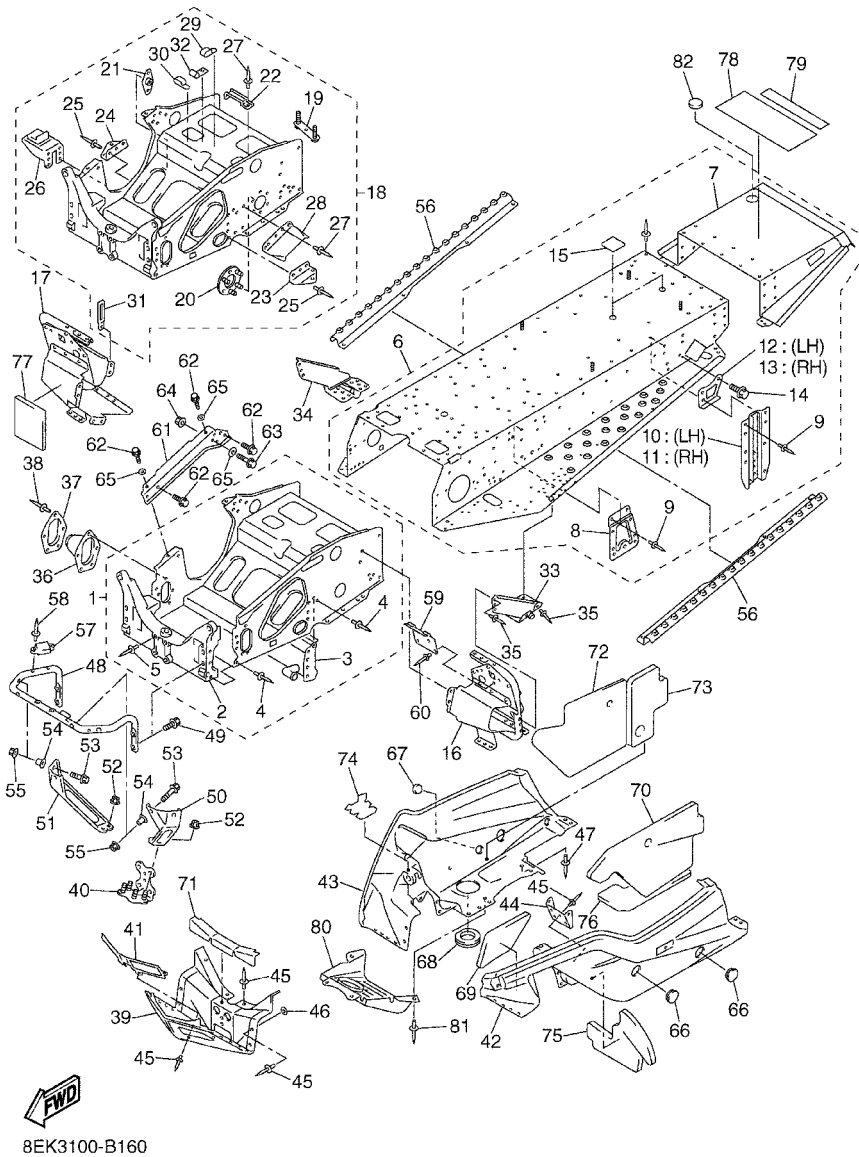
REF. NO.	PART NO.	DESCRIPTION	8EK3	8EK4	8EN1	8EN2	REMARKS
52	8EK-21923-00	REINFORCEMENT, FRAME REAR 1	1	1			
53	90267-47195	RIVET, BLIND	9	9			
54	8CR-21973-00	HOOK	1	1			
55	90267-48169	RIVET, BLIND	3	3			
56	8EK-21921-00	REINFORCEMENT, FRAME REAR 1	1	1			
57	90105-10617	BOLT, FLANGE	6	6			
58	95827-10065	BOLT, FLANGE	1	1			
59	95707-10500	NUT, FLANGE	1	1			
60	92907-10200	WASHER, PLAIN	3	3			
61	90338-44093	PLUG	3	3			
62	90338-30256	PLUG	1	1			
63	8DF-21998-10	SPACER	1	1			
64	8EK-77261-00	LINING, SHROUD 1	1	1			
65	8EK-77262-00	LINING, SHROUD 2	1	1			
66	8EK-77263-00	LINING, SHROUD 3	1	1			
67	8EK-77264-00	LINING, SHROUD 4	1	1			
68	8EK-77265-00	LINING, SHROUD 5	1	1			
69	8EK-77266-10	LINING, SHROUD 6	1	1			
70	8EK-77267-00	LINING, SHROUD 7	1	1			
71	8EK-77268-00	LINING, SHROUD 8	1	1			
72	8EK-77269-00	LINING, SHROUD 9	1	1			
73	8EK-21978-00	PROTECTOR, FRAME	2				
74	90267-50004	RIVET, BLIND	16				

FIG. 16 FRAME 2



REF. NO.	PART NO.	DESCRIPTION	8EK3	8EK4	8EN1	8EN2	REMARKS
1	8EK-21940-19	FRONT FRAME COMP.			1	1	
2	8EK-2191A-00	.BULKHEAD			1	1	
3	8EK-12440-10	.HEAT EXCHANGER ASSY			1	1	
4	90267-48016	.RIVET, BLIND			70	70	UN
5	90267-48057	.RIVET, BLIND			5	5	UN
6	8EN-21950-09	REAR FRAME COMP.			1	1	
7	8EN-21916-00	.PANEL, SUB FRAME 5			1	1	
8	8ED-21943-00	.BRACKET, MAIN TRACK 1			2	2	
9	90267-47195	.RIVET, BLIND			46	46	
10	8EN-21944-00	.BRACKET, RR.TRACK SUSPENTION			1	1	
11	8EN-21954-00	.BRACKET, RR.TRACK SUSPENTION			1	1	
12	8EN-21988-00	.PATCH 8			1	1	
13	8EN-21989-00	.PATCH 9			1	1	
14	95827-08016	.BOLT, FLANGE			6	6	
15	8CR-2198J-00	.COVER 3			2	2	
16	8EK-21960-09	FOOTREST COMP. 1			1	1	
17	8EK-21970-09	FOOTREST COMP. 2			1	1	
18	8EN-W2195-00	FRAME CONNECTION KIT			1	1	
19	8CR-2196F-00	.BRACKET 3			1	1	
20	8EK-21920-00	.HOUSING, REINF SUB-ASSY(L.H)			1	1	
21	8CR-21939-00	.BRACKET, CHAIN HOUSING			3	3	
22	8DN-21977-00	.CLAMP, FUEL PIPE			2	2	
23	8EK-21917-00	.PANEL, SUB FRAME 6			1	1	
24	8EK-21918-00	.PANEL, SUB-FRAME 7			1	1	
25	90267-48176	.RIVET, BLIND			4	4	
26	8EK-2194J-00	.STAY, MUFFLER			1	1	
27	90267-47186	.RIVET, BLIND			50	50	UR UN

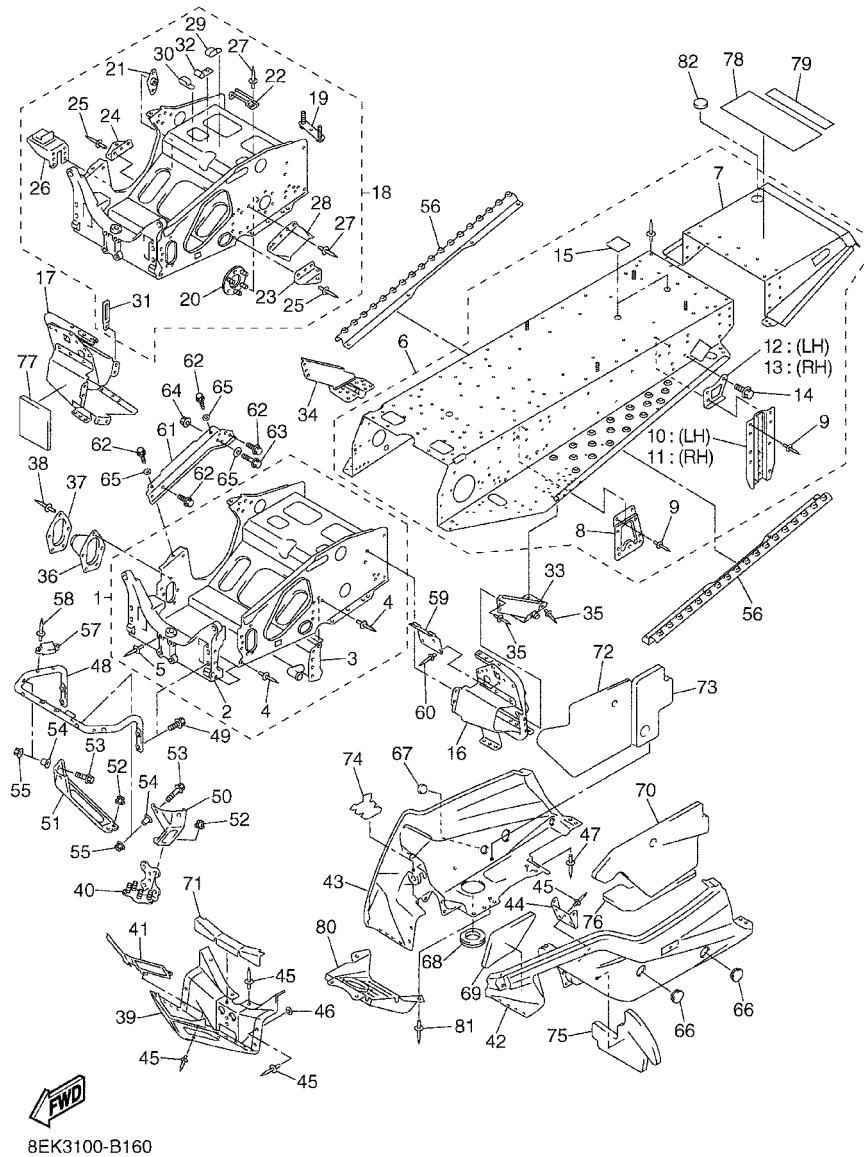
FIG. 16 FRAME 2



8EK3100-B160

REF. NO.	PART NO.	DESCRIPTION	8EK3	8EK4	8EN1	8EN2	REMARKS
27	90267-47197	.RIVET, BLIND			10	10	UR UN
28	8CR-2198G-01	.COVER 2			1	1	
29	90461-05003	.CLAMP			2	2	
30	90461-06142	.CLAMP			1	1	
31	90462-05059	.CLAMP			1	1	
32	90461-10148	.CLAMP			1	1	
33	8DF-21941-00	PIPE, PIVOT 1			1	1	
34	8DF-21951-00	PIPE, PIVOT 2			1	1	
35	90269-07080	RIVET			16	16	
36	8DN-2198F-00	COVER 1			2	2	
37	8CR-2195E-00	PLATE, STRG BRACKET 1			2	2	
38	90267-47197	RIVET, BLIND			10	10	
39	8EK-21912-00	PANEL, SUB FRAME 1			1	1	
40	8EK-23788-00	PLATE, BACK UP			1	1	
41	8CR-77128-00	STAY 4			1	1	
42	8EK-2196A-01	FRAME UNDER 1			1	1	
43	8EN-2196E-00	FRAME, UNDER 2			1	1	
44	8EK-21972-00	BRACKET, GUARD FITTING			1	1	
45	90267-48018	RIVET, BLIND			28	28	
46	90201-05033	WASHER, PLATE			16	16	
47	90267-47187	RIVET, BLIND			24	24	
48	8EK-77512-00	BUMPER, FRONT 2			1	1	
49	95807-08020	BOLT, FLANGE			4	4	
50	8EK-21949-00	BRACKET, FRONT			1	1	
51	8EK-21959-00	BRACKET, FRONT BUMPER			1	1	
52	95607-08200	NUT, SELF-LOCKING			4	4	
53	95807-08035	BOLT, FLANGE			4	4	

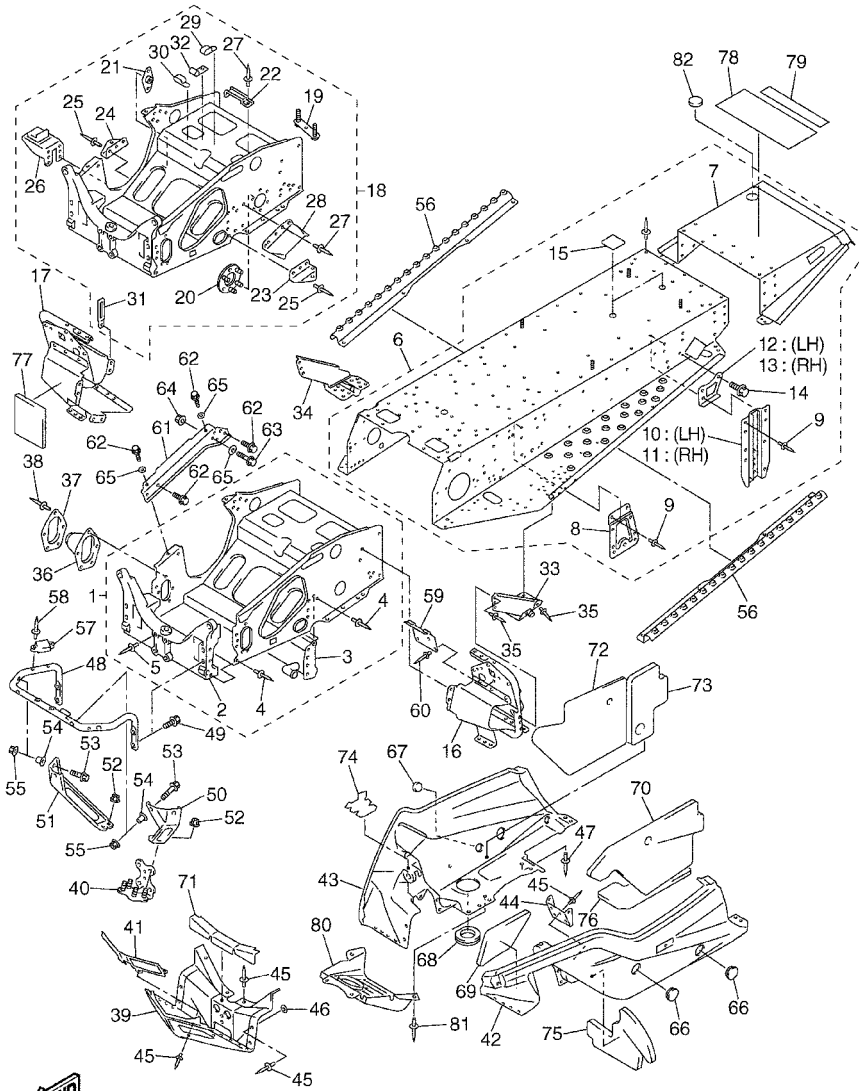
FIG. 16 FRAME 2



8EK3100-B160

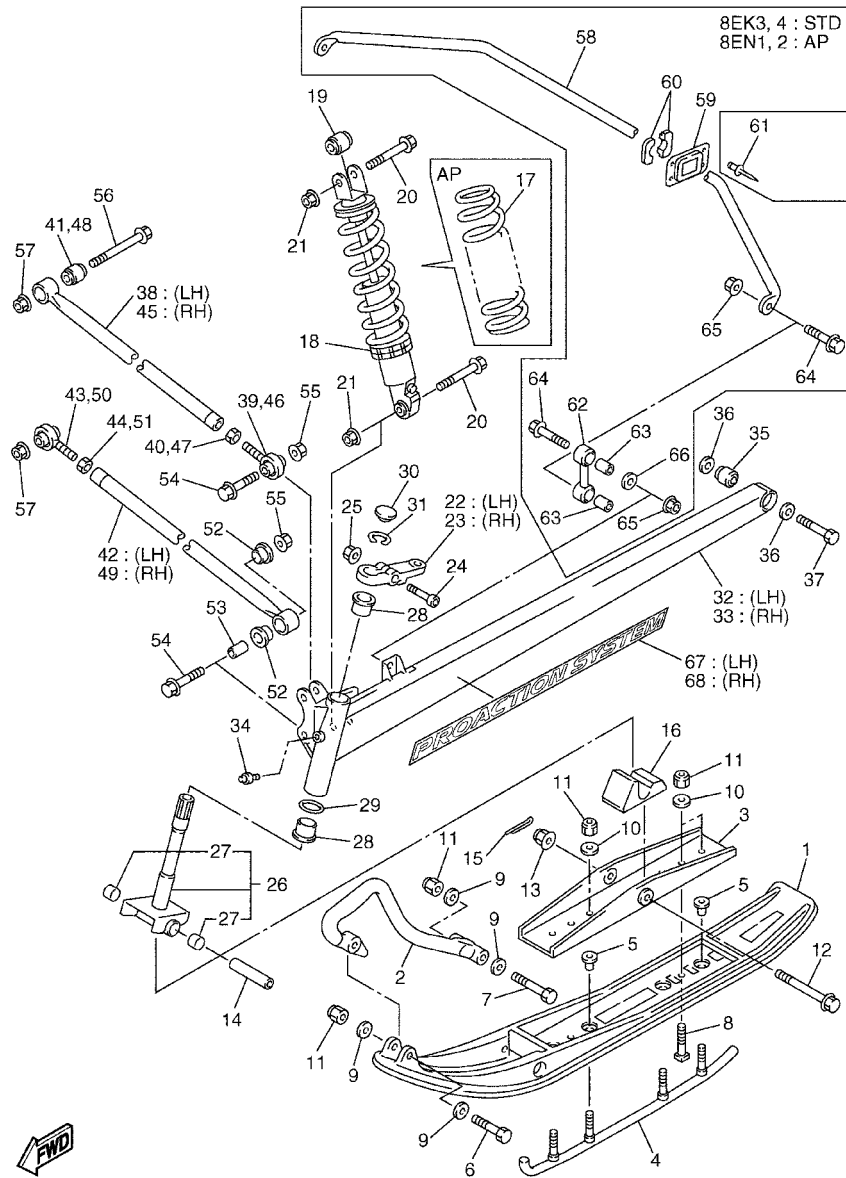
REF. NO.	PART NO.	DESCRIPTION	8EK3	8EK4	8EN1	8EN2	REMARKS
54	90387-08015	COLLAR			4	4	
55	95707-08500	NUT, FLANGE			4	4	
56	8ED-2192A-30	PLATE, ANTI-SKID			2	2	
57	8DJ-14728-00	PROTECTOR, MUFFLER 2			1	1	
58	90267-48018	RIVET, BLIND			2	2	
59	8CR-21973-00	HOOK			1	1	
60	90267-48169	RIVET, BLIND			3	3	
61	8EK-21921-00	REINFORCEMENT, FRAME REAR 1			1	1	
62	90105-10617	BOLT, FLANGE			6	6	
63	95827-10065	BOLT, FLANGE			1	1	
64	95707-10500	NUT, FLANGE			1	1	
65	92907-10200	WASHER, PLAIN			3	3	
66	90338-44093	PLUG			3	3	
67	90338-30256	PLUG			1	1	
68	8DF-21998-10	SPACER			1	1	
69	8EK-77261-00	LINING, SHROUD 1			1	1	
70	8EK-77262-00	LINING, SHROUD 2			1	1	
71	8EK-77263-00	LINING, SHROUD 3			1	1	
72	8EK-77264-00	LINING, SHROUD 4			1	1	
73	8EK-77265-00	LINING, SHROUD 5			1	1	
74	8EK-77266-10	LINING, SHROUD 6			1	1	
75	8EK-77267-00	LINING, SHROUD 7			1	1	
76	8EK-77268-00	LINING, SHROUD 8			1	1	
77	8EK-77269-00	LINING, SHROUD 9			1	1	
78	8EN-77143-01	EMBLEM 3			1	1	
79	88X-77762-10	LABEL, WARNING 2			1		
	8BH-77762-00	LABEL, WARNING 2				1	

FIG. 16 FRAME 2



8EK3100-B160

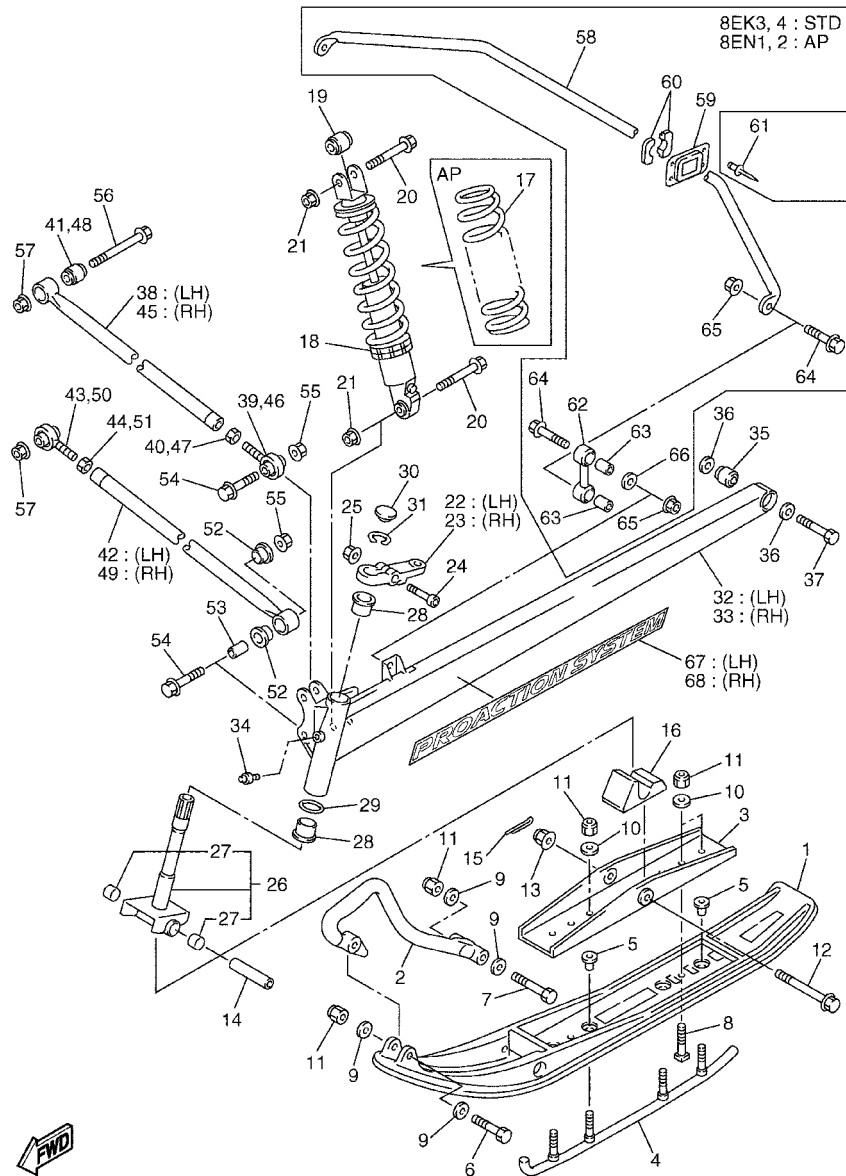
REF. NO.	PART NO.	DESCRIPTION	8EK3	8EK4	8EN1	8EN2	REMARKS
80	8EN-2194H-00	PROTECTOR, MUFFLER			1	1	
81	90267-49004	RIVET, BLIND			4	4	
82	90338-44019	PLUG			1	1	



8EK3100-B170

FIG. 17 SKI

REF. NO.	PART NO.	DESCRIPTION	8EK3	8EK4	8EN1	8EN2	REMARKS
1	8EK-F3711-00	SKI 1	2				
	8EK-23711-00	SKI 1		2			
	8EN-F3711-00	SKI 1			2		
	8EN-23711-00	SKI 1				2	
2	8EK-F3712-00	REINFORCEMENT, HEAD	2	2			UR FOR DPBMC
	8FB-F3712-00	REINFORCEMENT, HEAD	2	2			UR FOR HTR
	8EK-23712-00	REINFORCEMENT, HEAD		2	2		UR FOR DPBMC
	8FB-23712-00	REINFORCEMENT, HEAD		2	2		UR FOR HTR
3	8EK-F3766-00	SADDLE 1	2	2			
	8EK-23766-00	SADDLE 1		2	2		
4	8EK-F3731-00	RUNNER 1	2				
	8EK-23731-00	RUNNER 1		2			
	8EN-F3731-00	RUNNER 1			2		
	8EN-23731-00	RUNNER 1				2	
5	8EK-F3751-00	BUSH, SKI 1	8	8			
	8EK-23751-00	BUSH, SKI 1		8		8	
6	9702M-08055	BOLT	2	2			
	97027-08055	BOLT		2	2		
7	9702M-08100	BOLT	2	2			
	97027-08100	BOLT		2	2		
8	90108-08002	BOLT, SQUARE	4	4	4	4	
9	90201-08784	WASHER, PLATE	8	8	8	8	
10	90201-086P8	WASHER, PLATE	12	12	12	12	
11	9570M-08300	NUT, FLANGE	16	16			
	95707-08300	NUT, FLANGE		16	16		
12	90105-10712	BOLT, FLANGE	2	2	2	2	
13	95607-10200	NUT, SELF-LOCKING	2	2	2	2	

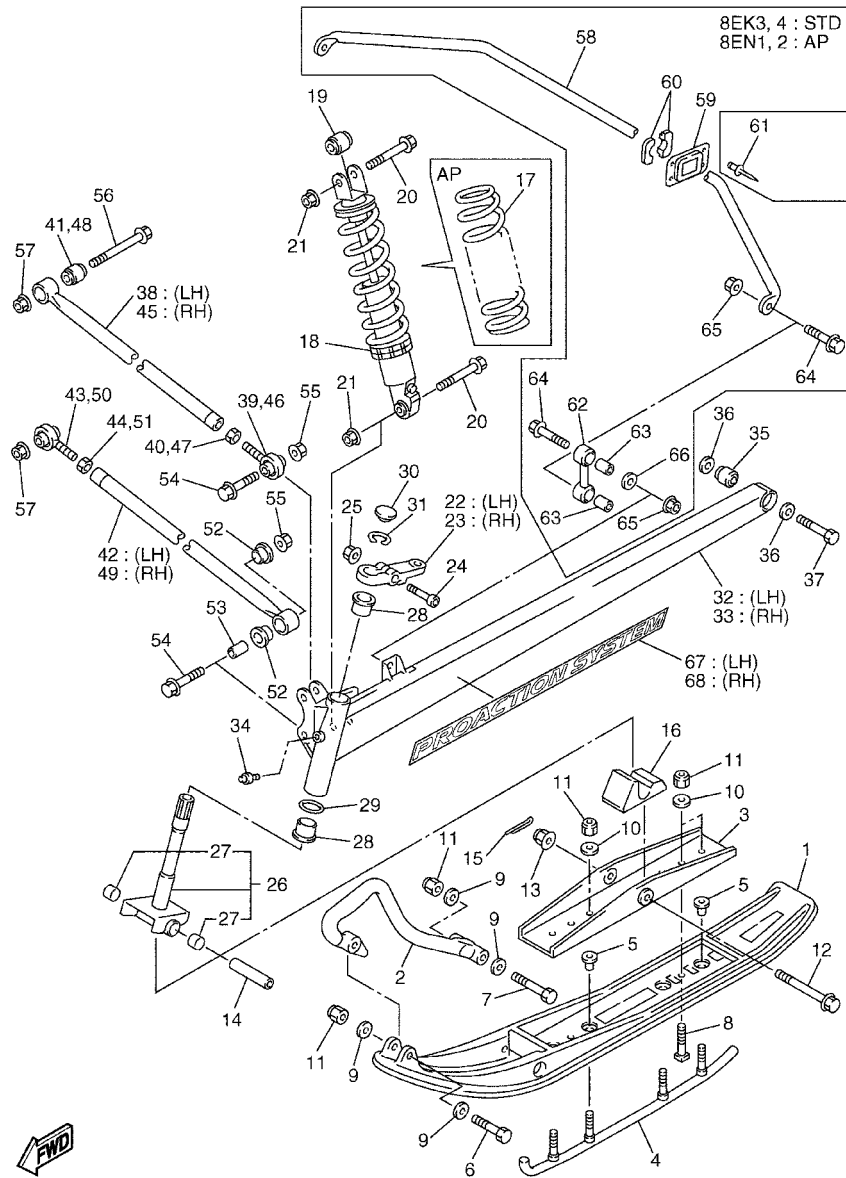


8EK3100-B170

FIG. 17 SKI

REF. NO.	PART NO.	DESCRIPTION	8EK3	8EK4	8EN1	8EN2	REMARKS
14	90387-1012H	COLLAR	2	2	2	2	
15	91401-20020	PIN, COTTER	2	2	2	2	
16	8CR-23743-10	STOPPER 1	2	2	2	2	
17	8CX-23760-00	SPRING ASSY 1 (K=1.7)	1	1	1	1	AP
	8CX-23760-10	SPRING ASSY 1 (K=2.3)	1	1	1	1	AP
	8CH-23760-40	SPRING ASSY 1 (K=1.1-1.9-2.1)	1	1	1	1	AP
	8CH-23760-50	SPRING ASSY 1 (K=1.3-2.4-2.8)	1	1	1	1	AP
	8CH-23760-60	SPRING ASSY 1 (K=1.5-2.3-3.1)	1	1	1	1	AP
18	8EK-2376A-30	ABSORBER ASSY 1	2				
	8EK-2376A-40	ABSORBER ASSY 1		2			
	8EK-2376A-50	ABSORBER ASSY 1		2			FOR JPN
	8EN-2376A-00	ABSORBER ASSY 1			2		
	8EN-2376A-10	ABSORBER ASSY 1				2	
	8EN-2376A-20	ABSORBER ASSY 1				2	FOR JPN
19	8CR-2376B-00	BUSH	2	2	2	2	
20	90105-100A9	BOLT, FLANGE	4	4			
	90105-10030	BOLT, FLANGE			4	4	
21	95607-10200	NUT, SELF-LOCKING	4	4	4	4	
22	8EK-23851-00	ARM, OUTSIDE 1	1	1	1	1	
23	8EK-23852-00	ARM, OUTSIDE 2	1	1	1	1	
24	91314-08035	BOLT	2	2	2	2	
25	95604-08200	NUT, U FLANGE	2	2	2	2	
26	8EK-23803-00	COLUMN, SKI ASSY	2	2	2	2	
27	90384-16251	BUSH, BIMETAL FORMED	2	2	2	2	
28	90381-25115	BUSH, SOLID	4	4	4	4	
29	90201-301G3	WASHER, PLATE	2	2	2	2	
30	8CR-23741-10	CAP 1	2	2	2	2	

D7

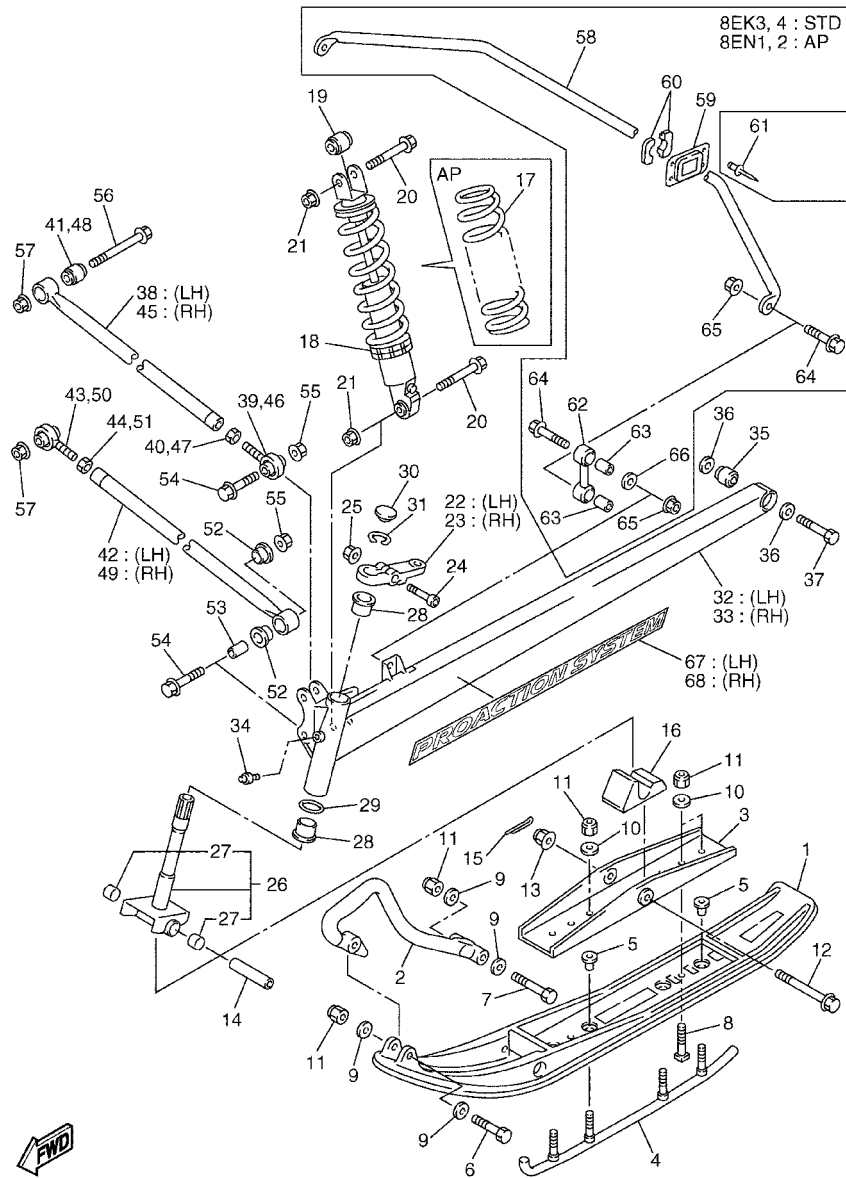


FWD
8EK3100-B170

FIG. 17 SKI

REF. NO.	PART NO.	DESCRIPTION	8EK3	8EK4	8EN1	8EN2	REMARKS
31	99009-25400	CIRCLIP	2	2	2	2	
32	8DM-2382E-10	ARM, FRONT 1	1	1			
	8EN-2382E-00	ARM, FRONT 1			1	1	
33	8DM-2382F-10	ARM, FRONT 2	1	1			
	8EN-2382F-00	ARM, FRONT 2			1	1	
34	93700-06004	NIPPLE, GREASE	2	2	2	2	
35	8CR-2516A-00	DAMPER	2	2	2	2	
36	90201-120T5	WASHER, PLATE	4	4	4	4	
37	90101-12780	BOLT	2	2	2	2	
38	8EK-2384E-00	ARM, CONTROL 1	1	1			
	8EN-2384E-00	ARM, CONTROL 1			1	1	
39	8EK-23823-00	JOINT 2	1	1	1	1	
40	95317-12600	NUT	1	1	1	1	
41	8EK-23775-00	INSERT	1	1	1	1	
42	8EK-2384F-00	ARM, CONTROL 2	1	1			
	8EN-2384F-00	ARM, CONTROL 2			1	1	
43	8EK-23832-00	JOINT 3	1	1	1	1	
44	95314-14600	NUT	1	1	1	1	
45	8EK-2384E-00	ARM, CONTROL 1	1	1			
	8EN-2384E-00	ARM, CONTROL 1			1	1	
46	8EK-23823-00	JOINT 2	1	1	1	1	
47	95317-12600	NUT	1	1	1	1	
48	8EK-23775-00	INSERT	1	1	1	1	
49	8EK-2384F-00	ARM, CONTROL 2	1	1			
	8EN-2384F-00	ARM, CONTROL 2			1	1	
50	8EK-23832-00	JOINT 3	1	1	1	1	
51	95314-14600	NUT	1	1	1	1	

D8

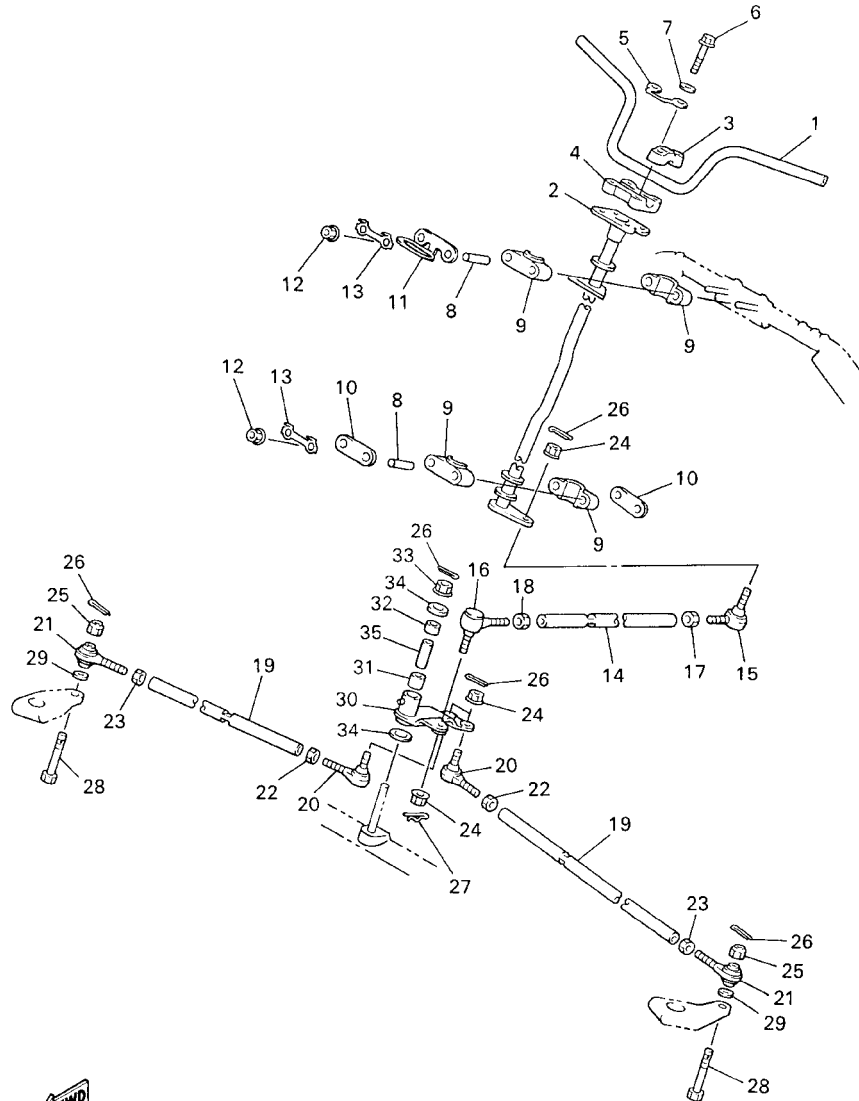


8EK3100-B170

FIG. 17 SKI

REF. NO.	PART NO.	DESCRIPTION	8EK3	8EK4	8EN1	8EN2	REMARKS
52	90381-17110	BUSH, SOLID	4	4	4	4	
53	90387-1009K	COLLAR	2	2	2	2	
54	90105-100A9	BOLT, FLANGE	4	4	4	4	
55	95607-10200	NUT, SELF-LOCKING	4	4	4	4	
56	90105-12010	BOLT, FLANGE	4	4	4	4	
57	95607-12200	NUT, SELF-LOCKING	4	4	4	4	
58	8CR-2386E-00	BAR, STABILIZER FRONT	1	1			
	8CS-2386E-00	BAR, STABILIZER FRONT			1	1	AP
59	8CR-2386H-00	COVER, STABILIZER FRONT	2	2			
	8EN-2386H-00	COVER, STABILIZER FRONT			2	2	
	8CR-2386H-00	COVER, STABILIZER FRONT			2	2	AP
60	8CR-2386G-00	BUSH, STABILIZER FRONT	4	4			
	8CR-2386G-00	BUSH, STABILIZER FRONT			4	4	AP
61	90267-47186	RIVET, BLIND	6	6	6	6	
62	8DF-2385L-00	JOINT, STABILIZER 1	2	2			
	8CR-2385L-00	JOINT, STABILIZER 1			2	2	AP
63	90387-087L3	COLLAR	4	4			
	90387-087L3	COLLAR			4	4	AP
64	90105-08345	BOLT, FLANGE	4	4			
	90105-08345	BOLT, FLANGE			4	4	AP
65	95607-08200	NUT, SELF-LOCKING	4	4			
	95607-08200	NUT, SELF-LOCKING			4	4	AP
66	90201-086P8	WASHER, PLATE	2	2			
67	8EA-77371-30	EMBLEM 15	1	1	1	1	
68	8EA-77372-30	EMBLEM 16	1	1	1	1	

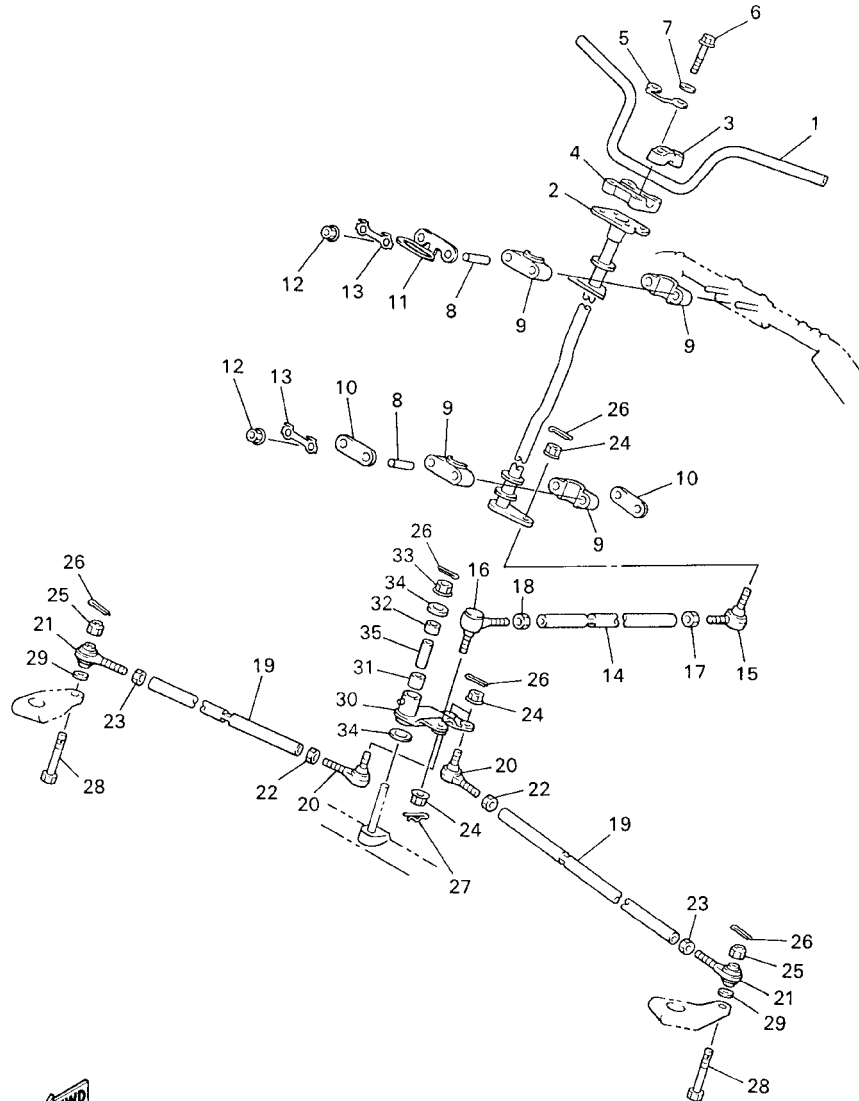
FIG. 18 STEERING



8EK1100-2170

REF. NO.	PART NO.	DESCRIPTION	8EK3	8EK4	8EN1	8EN2	REMARKS
1	8EK-26110-10	HANDLE COMP.	1	1			
	8EN-26110-10	HANDLE COMP.			1	1	
2	8EG-23813-00	COLUMN, STEERING 2	1	1			
	8EN-23813-00	COLUMN, STEERING 2			1	1	
3	8K1-23814-00	HOLDER, HANDLE	2	2	2	2	
4	8ED-23442-00	HOLDER, HANDLE LOWER	1	1	1	1	
5	8DF-23857-00	HOLDER	1	1	1	1	
6	97027-08055	BOLT	4	4	4	4	
7	92907-08600	WASHER, PLATE	4	4	4	4	
8	90387-090R0	COLLAR	4	4	4	4	
9	8DF-23812-00	PLANE BEARING, STEERING	4	4	4	4	
10	8CR-23872-00	HOLDER, BEARING	2	2	2	2	
11	8CJ-23872-00	HOLDER, BEARING	1	1	1	1	
12	95707-08300	NUT, FLANGE	4	4	4	4	
13	1UY-23894-01	WASHER, LOCK 1	2	2	2	2	
14	8CR-23821-00	ROD, STEERING RELAY	1	1	1	1	
15	8CR-23845-00	JOINT, UNIVERSAL 2	1	1	1	1	
16	8CR-23847-00	JOINT, UNIVERSAL 3	1	1	1	1	
17	95307-10700	NUT	1	1	1	1	
18	90170-10186	NUT	1	1	1	1	(L.H. THREAD)
19	8CR-23831-00	ROD, TIE	2	2			
	8CS-23831-00	ROD, TIE			2	2	
20	8CR-23845-00	JOINT, UNIVERSAL 2	2	2	2	2	
21	87S-23847-00	JOINT, UNIVERSAL 3	2	2	2	2	(L.H. THREAD)
22	95307-10700	NUT	2	2	2	2	
23	90170-10186	NUT	2	2	2	2	(L.H. THREAD)
24	95707-10500	NUT, FLANGE	4	4	4	4	

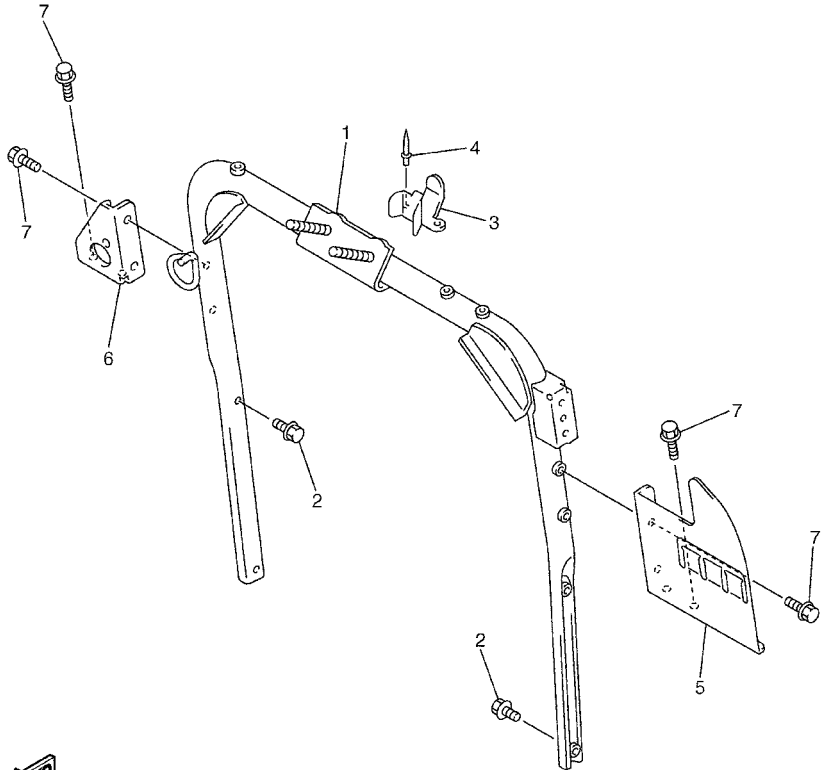
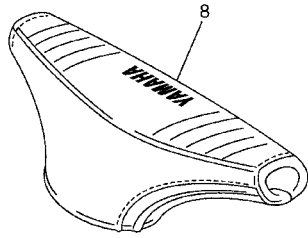
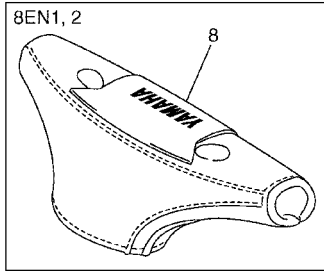
FIG. 18 STEERING



FWD
8EK1100-2170

REF. NO.	PART NO.	DESCRIPTION	8EK3	8EK4	8EN1	8EN2	REMARKS
25	95707-10300	NUT, FLANGE	2	2	2	2	
26	91401-25020	PIN, COTTER	6	6	6	6	
27	90468-12006	CLIP	1	1	1	1	
28	90102-10044	BOLT, WITH HOLE	2	2	2	2	
29	90201-08759	WASHER, PLATE	2	2	2	2	
30	8EK-23826-00	ARM, IDLER	1	1	1	1	
31	93317-41767	BEARING	1	1	1	1	
32	93317-41785	BEARING	1	1	1	1	
33	95607-12200	NUT, SELF-LOCKING	1	1	1	1	
34	90201-121U3	WASHER, PLATE	2	2	2	2	
35	8DF-2412G-00	COLLAR	1	1	1	1	

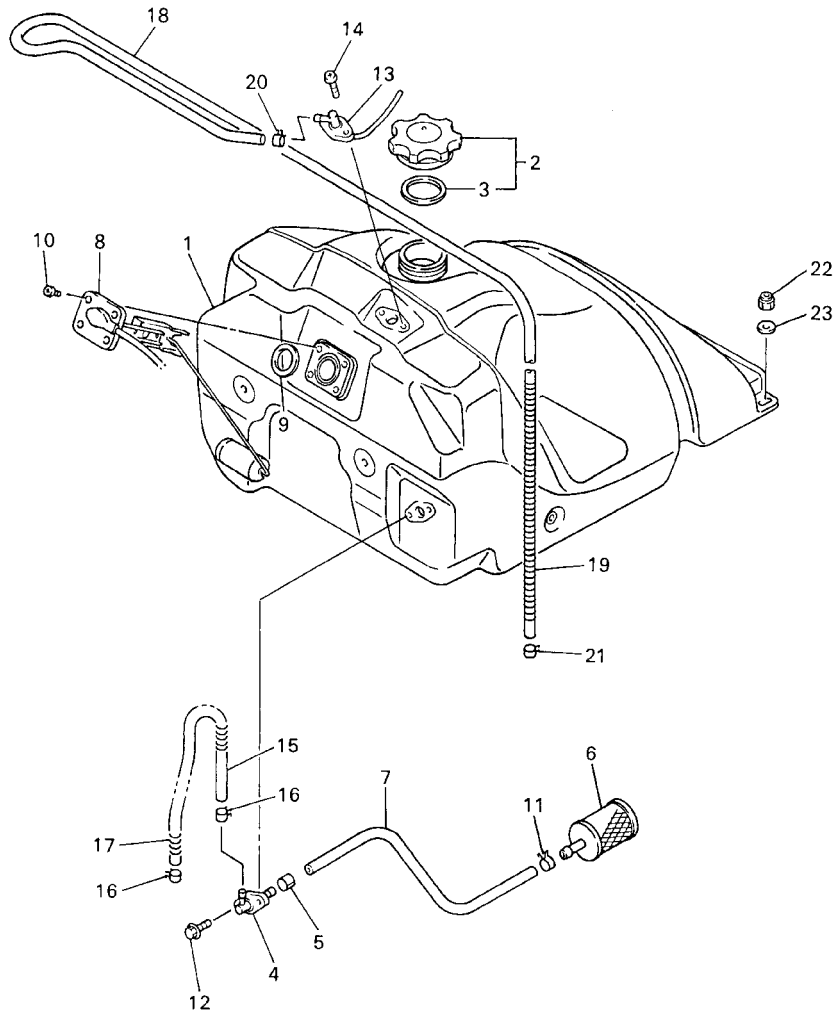
FIG. 19 STEERING GATE



 8EK3100-B190

REF. NO.	PART NO.	DESCRIPTION	8EK3	8EK4	8EN1	8EN2	REMARKS
1	8EK-23870-00	STEERING GATE COMP.	1	1	1	1	
2	95827-08016	BOLT, FLANGE	4	4	4	4	
3	8DF-23867-00	HOLDER 2	1	1	1	1	
4	90267-48095	RIVET, BLIND	2	2	2	2	
5	8EK-23882-00	BRACKET 2	1	1	1	1	
6	8CR-23881-00	BRACKET 1	1	1	1	1	
7	95827-06016	BOLT, FLANGE	8	8	8	8	
8	8EK-23815-10	PAD, STEERING	1	1			UR FOR DPBMC
	8EK-23815-00	PAD, STEERING	1	1			UR FOR HTR
	8EN-23815-00	PAD, STEERING			1	1	

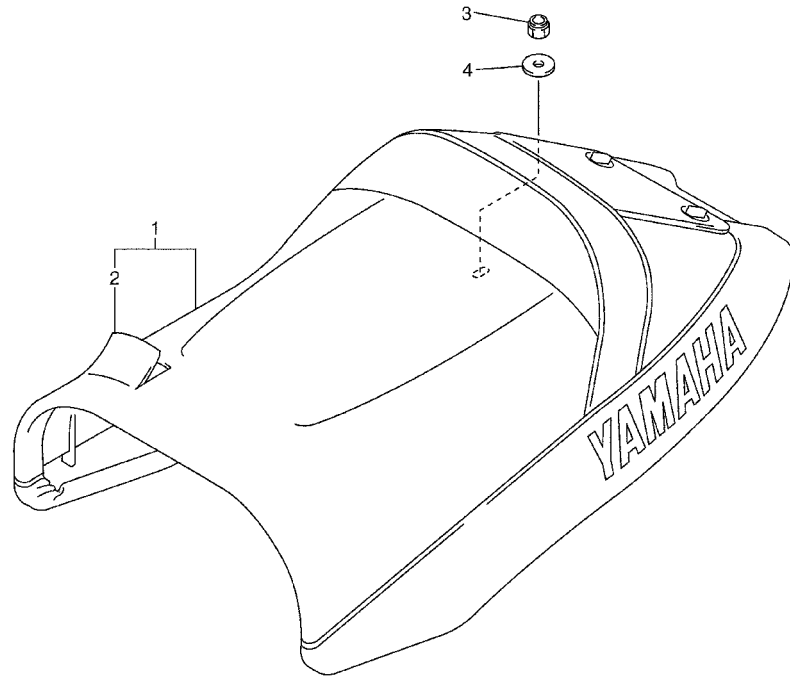
FIG. 20 FUEL TANK



8EK1100-2190

REF. NO.	PART NO.	DESCRIPTION	8EK3	8EK4	8EN1	8EN2	REMARKS
1	8EK-24111-00	TANK, FUEL	1	1	1	1	
2	8CW-24610-00	CAP ASSY	1	1	1	1	
3	8CW-24612-00	.GASKET, CAP	1	1	1	1	
4	8CR-24301-00	SUCTION PIPE COMP. 1	1	1	1	1	
5	90468-04092	CLIP	1	1	1	1	
6	8H5-24560-00	FILTER ASSY	1	1	1	1	
7	8CR-24335-00	PIPE, SUCTION 1	1	1	1	1	
8	8CW-85752-00	SENDER UNIT ASSY, FUEL METER	1	1	1	1	
9	93210-41041	O-RING	1	1	1	1	
10	98907-05008	SCREW, BIND	4	4	4	4	
11	90467-11032	CLIP	1	1	1	1	
12	90105-060A6	BOLT, FLANGE	2	2	2	2	
13	8CR-2418A-00	BREATHER COMP.	1	1	1	1	
14	90149-06330	SCREW	2	2	2	2	
15	8CR-24311-10	PIPE, FUEL 1	1	1	1	1	
16	90467-11032	CLIP	2	2	2	2	
17	90501-08668	SPRING, COMPRESSION	1	1	1	1	
18	91A20-05115	TUBE, FLEXIBLE VINYL	1	1	1	1	
19	90501-08430	SPRING, COMPRESSION	1	1	1	1	
20	90468-02078	CLIP	1	1	1	1	
21	90467-09001	CLIP	1	1	1	1	
22	95707-08300	NUT, FLANGE	2	2	2	2	
23	90201-08784	WASHER, PLATE	2	2	2	2	

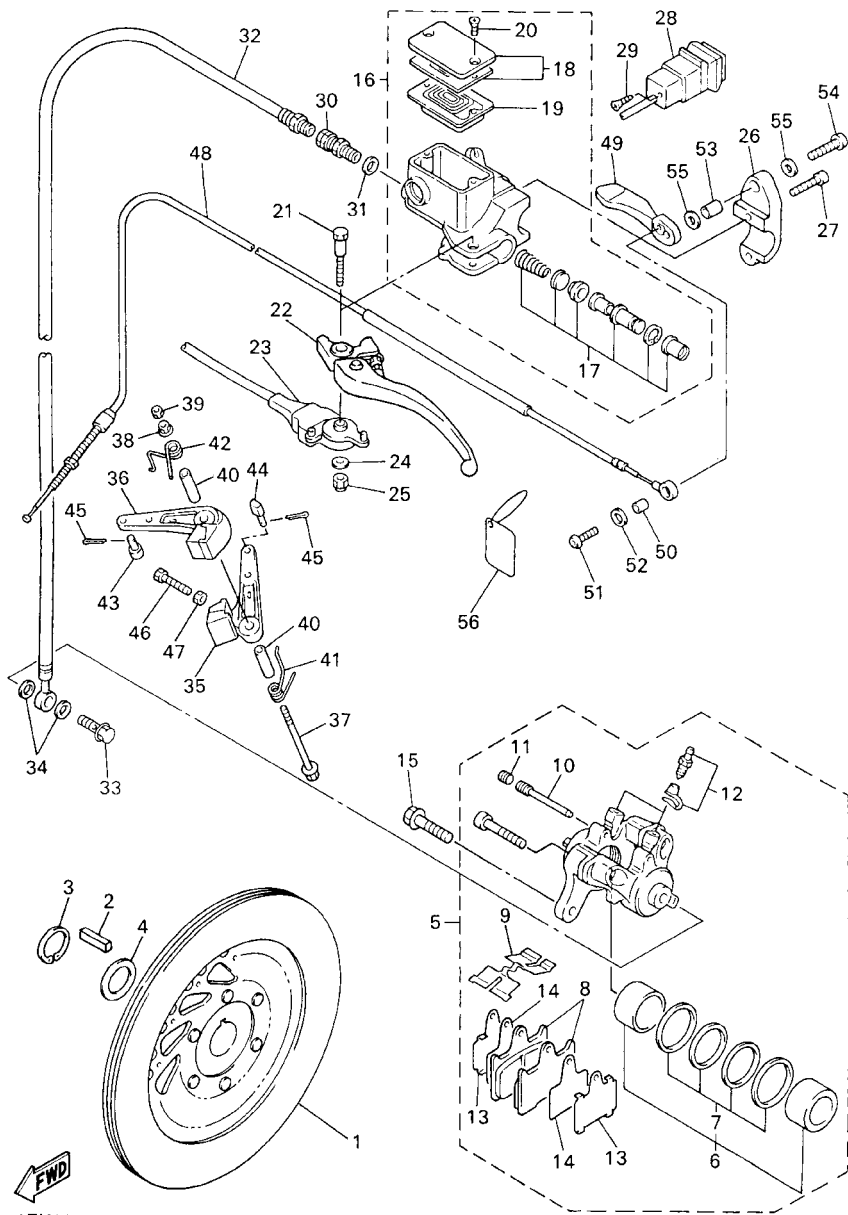
FIG. 21 SEAT



REF. NO.	PART NO.	DESCRIPTION	8EK3	8EK4	8EN1	8EN2	REMARKS
1	8EK-24710-20	SINGLE SEAT ASSY	1	1	1	1	UR FOR DPBMC
	8EK-24710-30	SINGLE SEAT ASSY	1	1	1	1	UR FOR HTR
2	8EK-2470F-20	.SEAT COVER COMP.	1	1	1	1	UR FOR DPBMC
	8EK-2470F-30	.SEAT COVER COMP.	1	1	1	1	UR FOR HTR
3	95707-08300	NUT, FLANGE	2	2	2	2	
4	90201-086A3	WASHER, PLATE	2	2	2	2	



8EK1100-2200

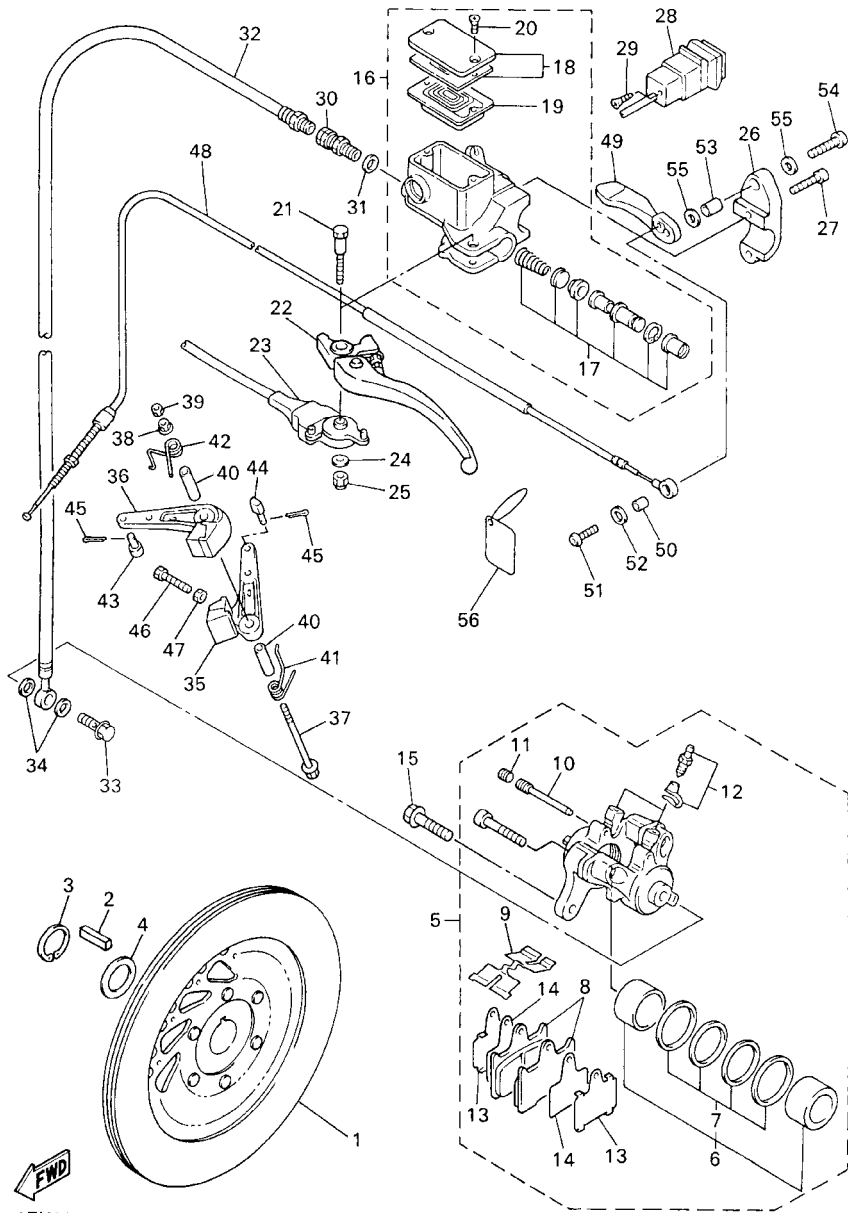


8EK1100-2210

FIG. 22 BRAKE

REF. NO.	PART NO.	DESCRIPTION	8EK3	8EK4	8EN1	8EN2	REMARKS
1	8DN-2581T-00	DISC BRAKE ASSY	1	1	1	1	
2	90281-07004	KEY, SLIDING	1	1	1	1	
3	93410-27080	CIRCLIP	1	1	1	1	
4	90201-270U5	WASHER, PLATE	1	1	1	1	
5	8DF-2580T-01	CALIPER ASSY (LEFT)	1	1	1	1	
6	8CR-W0057-00	.PISTON ASSY, CALIPER	1	1	1	1	
7	8CR-W0047-00	..CALIPER SEAL KIT	1	1	1	1	
8	8DF-W0046-00	.BRAKE PAD KIT 2	1	1	1	1	
9	8CR-25919-00	.SUPPORT, PAD	1	1	1	1	
10	8CR-25924-00	.PIN, PAD	1	1	1	1	
11	8CR-25926-00	.BOLT	1	1	1	1	
12	8CR-W0048-00	.BLEED SCREW KIT	2	2	2	2	
13	8DF-2582F-00	.RETAINER	2	2	2	2	
14	8DF-25828-00	.SHIM, CALIPER	2	2	2	2	
15	90105-10634	BOLT, FLANGE	2	2	2	2	
16	8DF-W2587-40	MASTER CYLINDER SUB ASSY	1	1	1	1	
	8EK-W2587-30	MASTER CYLINDER SUB ASSY		1		1	FOR JPN
17	8CR-W0041-00	.CYLINDER KIT, MASTER	1	1	1	1	
18	8CR-W2585-00	.RESERVOIR CAP SET	1	1	1	1	
	3GM-W2585-21	.RESERVOIR CAP SET			1	1	FOR JPN
19	55U-25854-00	.DIAPHRAGM, RESERVOIR	1	1	1	1	
20	98706-04012	.SCREW, FLAT HEAD	2	2	2	2	
21	8CR-2589F-00	BOLT, LEVER	1	1	1	1	
22	8DN-83912-00	LEVER 1	1	1			
	8CR-83912-00	LEVER 1				1	
	8DN-83912-00	LEVER 1				1	AP
23	8CR-82530-01	STOP SWITCH ASSY	1	1	1	1	

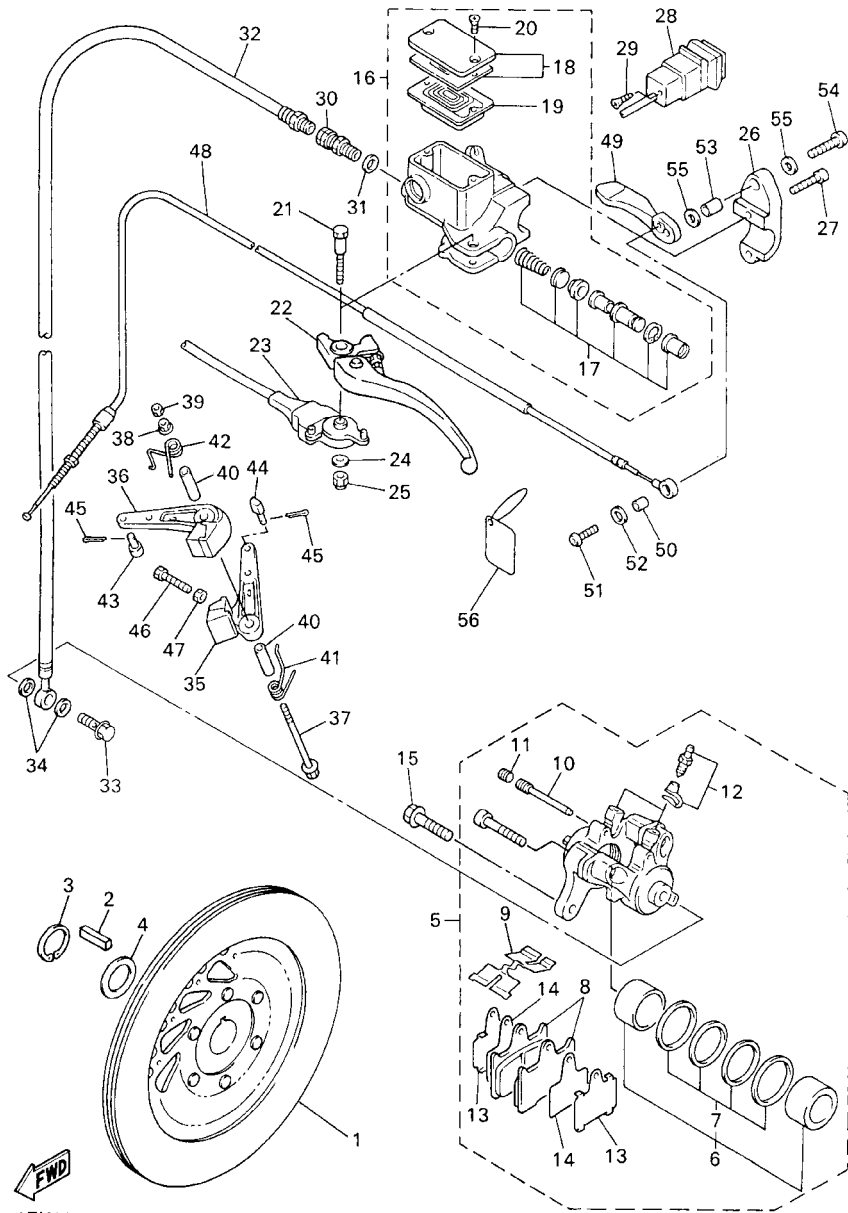
FIG. 22 BRAKE



8EK1100-2210

REF. NO.	PART NO.	DESCRIPTION	8EK3	8EK4	8EN1	8EN2	REMARKS
24	8CR-8398X-00	WASHER, PLAIN	1	1	1	1	
25	95707-05300	NUT, FLANGE	1	1	1	1	
26	8CR-25867-00	HOLDER, MASTER CYLINDER	1	1	1	1	
27	91316-06022	BOLT	2	2	2	2	
28	8EK-83950-00	BEAM SWITCH ASSY	1	1	1	1	
29	8CR-2589H-00	SCREW	1	1	1	1	
30	3LC-25885-00	JOINT	1	1	1	1	
31	90201-10118	WASHER, PLATE	1	1	1	1	
32	8ED-25872-00	HOSE, BRAKE 1	1	1			
	8EN-25872-00	HOSE, BRAKE 1			1	1	
33	90401-10159	BOLT, UNION	1	1	1	1	
34	90201-10118	WASHER, PLATE	2	2	2	2	
35	8CR-25730-00	CALIPER BODY COMP.1	1	1	1	1	
36	8CR-25740-00	CALIPER BODY COMP. 2	1	1	1	1	
37	90105-08094	BOLT, FLANGE	1	1	1	1	
38	95707-08500	NUT, FLANGE	1	1	1	1	
39	95307-08700	NUT	1	1	1	1	
40	90387-084R5	COLLAR	2	2	2	2	
41	90508-291B2	SPRING, TORSION	1	1	1	1	
42	90508-291B1	SPRING, TORSION	1	1	1	1	
43	90249-06009	PIN	1	1	1	1	
44	90249-06012	PIN	1	1	1	1	
45	91490-20015	PIN, COTTER	2	2	2	2	
46	90101-06288	BOLT	1	1	1	1	
47	95307-06700	NUT	1	1	1	1	
48	8ED-26351-00	CABLE, BRAKE	1	1			
	8EN-26351-00	CABLE, BRAKE			1	1	

FIG. 22 BRAKE

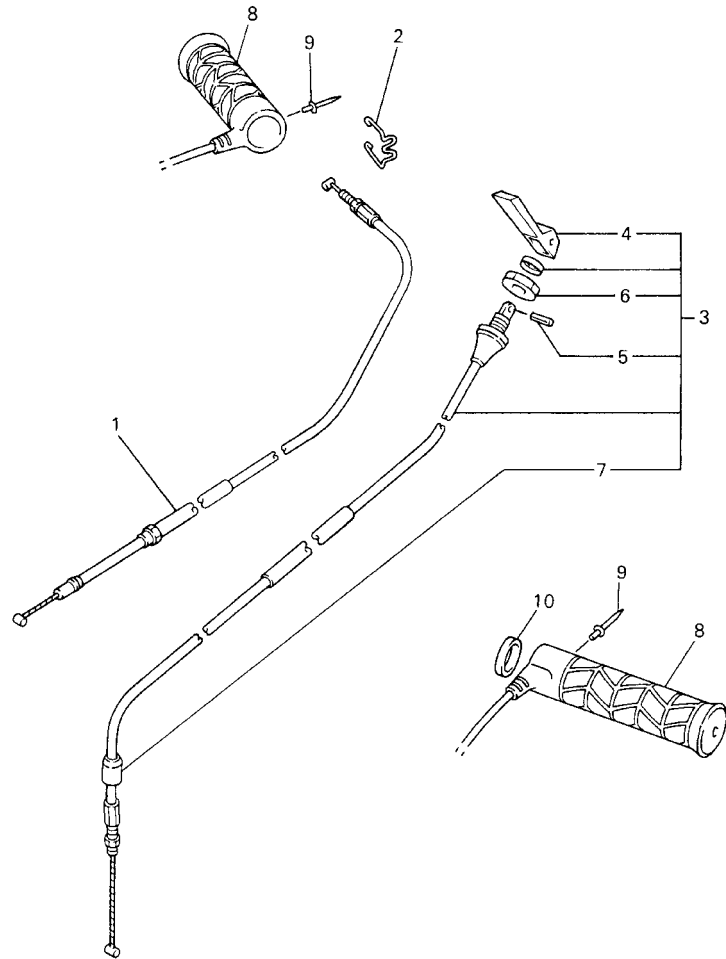


8EK1100-2210

REF. NO.	PART NO.	DESCRIPTION	8EK3	8EK4	8EN1	8EN2	REMARKS
49	8CR-83922-00	LEVER 2	1	1	1	1	
50	90387-06043	COLLAR	1	1	1	1	
51	92017-06014	BOLT	1	1	1	1	
52	90201-06050	WASHER, PLATE	1	1	1	1	
53	90387-081M9	COLLAR	1	1	1	1	
54	92017-08020	BOLT	1	1	1	1	
55	90201-08403	WASHER, PLATE	2	2	2	2	
56	8CR-23496-00	TAG, CAUTION	1	1	1	1	

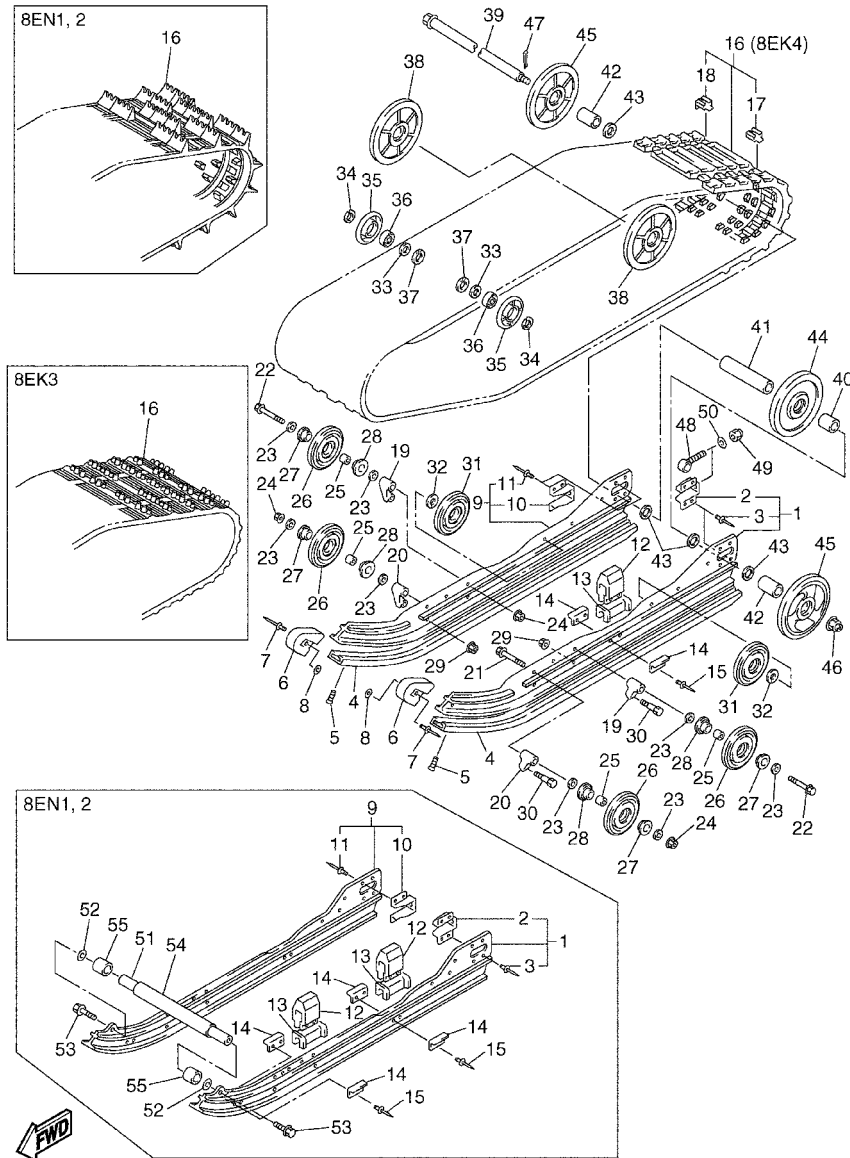
FIG. 23 CONTROL CABLE

REF. NO.	PART NO.	DESCRIPTION	8EK3	8EK4	8EN1	8EN2	REMARKS
1	8EK-26311-00	CABLE, THROTTLE 1	1	1			
	8EN-26311-00	CABLE, THROTTLE 1			1	1	
2	8M6-26391-01	CLIP, CABLE	1	1	1	1	
3	8CH-26330-02	STARTER CABLE ASSY	1	1	1	1	
4	8U9-26325-00	.KNOB, STARTER	1	1	1	1	
5	91609-30010	.PIN, SPRING	1	1	1	1	
6	8G8-26333-00	.NUT	1	1	1	1	
7	8CR-26329-00	.CAP, RUBBER	1	1	1	1	
8	8DM-26240-00	GRIP ASSY	2	2	2	2	
9	90267-48014	RIVET, BLIND	2	2	2	2	
10	90387-220X0	COLLAR	1	1	1	1	



FWD
8EK1100-2220

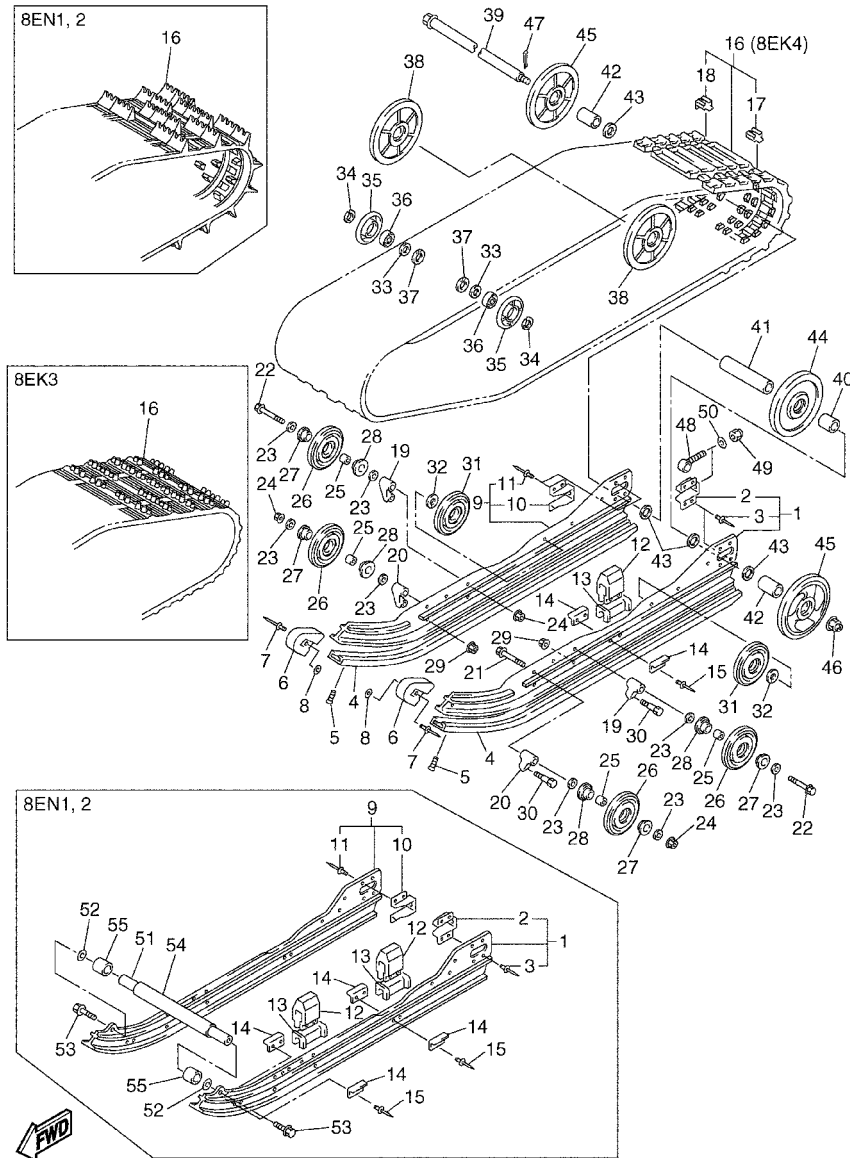
FIG. 24 TRACK SUSPENSION 1



8EK3100-B240

REF. NO.	PART NO.	DESCRIPTION	8EK3	8EK4	8EN1	8EN2	REMARKS
1	8DY-47411-00	FRAME, SLIDING 1	1	1			
	8EN-47411-00	FRAME, SLIDING 1			1	1	
2	8DM-4741B-00	.BRACKET	1	1	1	1	
3	8V0-47468-00	.RIVET	4	4	4	4	
4	8CM-47421-40	RUNNER, SLIDING 1	2	2			
	8EN-47421-00	RUNNER, SLIDING 1			2	2	
5	90151-06010	SCREW, COUNTERSUNK	2	2	2	2	
6	8CM-47422-10	RUNNER, SLIDING 2	2	2			
	8ED-47422-00	RUNNER, SLIDING 2			2	2	
7	90267-48194	RIVET, BLIND	2	2	2	2	
8	90201-047R8	WASHER, PLATE	2	2	2	2	
9	8DY-47412-00	FRAME, SLIDING 2	1	1			
	8EN-47412-00	FRAME, SLIDING 2			1	1	
10	8DM-4741B-00	.BRACKET	1	1	1	1	
11	8V0-47468-00	.RIVET	4	4	4	4	
12	8CM-47457-00	DAMPER 2	2	2	4	4	
13	8CM-47341-00	SPACER	2	2	4	4	
14	8AX-47458-00	PLATE, DAMPER	4	4	8	8	
15	90267-48199	RIVET, BLIND	4	4	8	8	
16	8DY-47110-00	TRACK ASSY	1				
	8DN-47110-01	TRACK ASSY		1			
	8EN-47110-00	TRACK ASSY			1	1	
17	8EA-47113-00	.PLATE, REINFORCEMENT		48			
18	8EA-47115-30	.METAL, SLIDE		48			
19	8DF-47419-00	BRACKET 7	2	2	2	2	
20	8DF-47419-10	BRACKET 7	2	2	2	2	
21	90105-10392	BOLT, FLANGE	2	2	2	2	

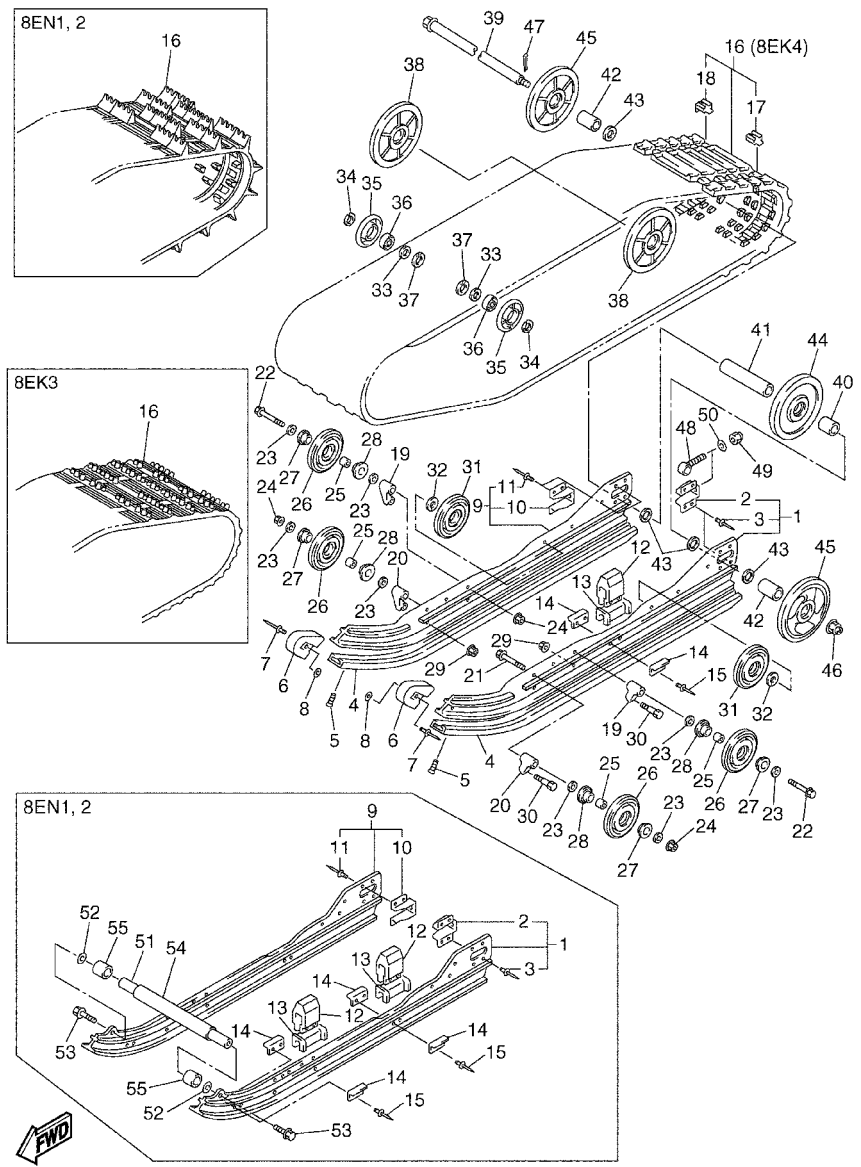
FIG. 24 TRACK SUSPENSION 1



8EK3100-B240

REF. NO.	PART NO.	DESCRIPTION	8EK3	8EK4	8EN1	8EN2	REMARKS
22	95817-10085	BOLT, FLANGE	2	2	2	2	
23	90201-100S0	WASHER, PLATE	8	8	8	8	
24	95607-10200	NUT, SELF-LOCKING	4	4	4	4	
25	90387-10079	COLLAR	4	4	4	4	
26	8CR-47310-10	SUSPENSION WHEEL ASSY	4	4	4	4	
27	8CR-47341-01	SPACER	4	4	4	4	
28	8CR-47341-11	SPACER	4	4	4	4	
29	95607-08200	NUT, SELF-LOCKING	4	4	4	4	
30	90101-08774	BOLT	4	4	4	4	
31	8CR-47310-10	SUSPENSION WHEEL ASSY	2	2	2	2	
32	99009-25400	CIRCLIP	2	2	2	2	
33	90387-2004V	COLLAR	2	2	2	2	
34	99009-20400	CIRCLIP	2	2	2	2	
35	8H8-47320-00	SUSPENSION WHEEL COMP.	2	2	2	2	
36	93306-00444	BEARING	2	2	2	2	
37	99009-42500	CIRCLIP	2	2	2	2	
38	8EK-47550-00	GUIDE WHEEL ASSY	2	2	2	2	
39	8L8-47520-02	REAR AXLE COMP.	1	1	1	1	
40	90387-2012E	COLLAR	1	1	1	1	
41	90387-2012C	COLLAR	1	1	1	1	
42	90387-2012D	COLLAR	2	2	2	2	
43	90201-205R6	WASHER, PLATE	4	4	4	4	
44	8CR-47550-10	GUIDE WHEEL ASSY	1	1	1	1	
45	8EK-47550-10	GUIDE WHEEL ASSY	2	2	2	2	
46	95607-14200	NUT, SELF-LOCKING	1	1	1	1	
47	91401-30025	PIN, COTTER	1	1	1	1	
48	8DM-47479-00	COLLAR 3	2	2	2	2	

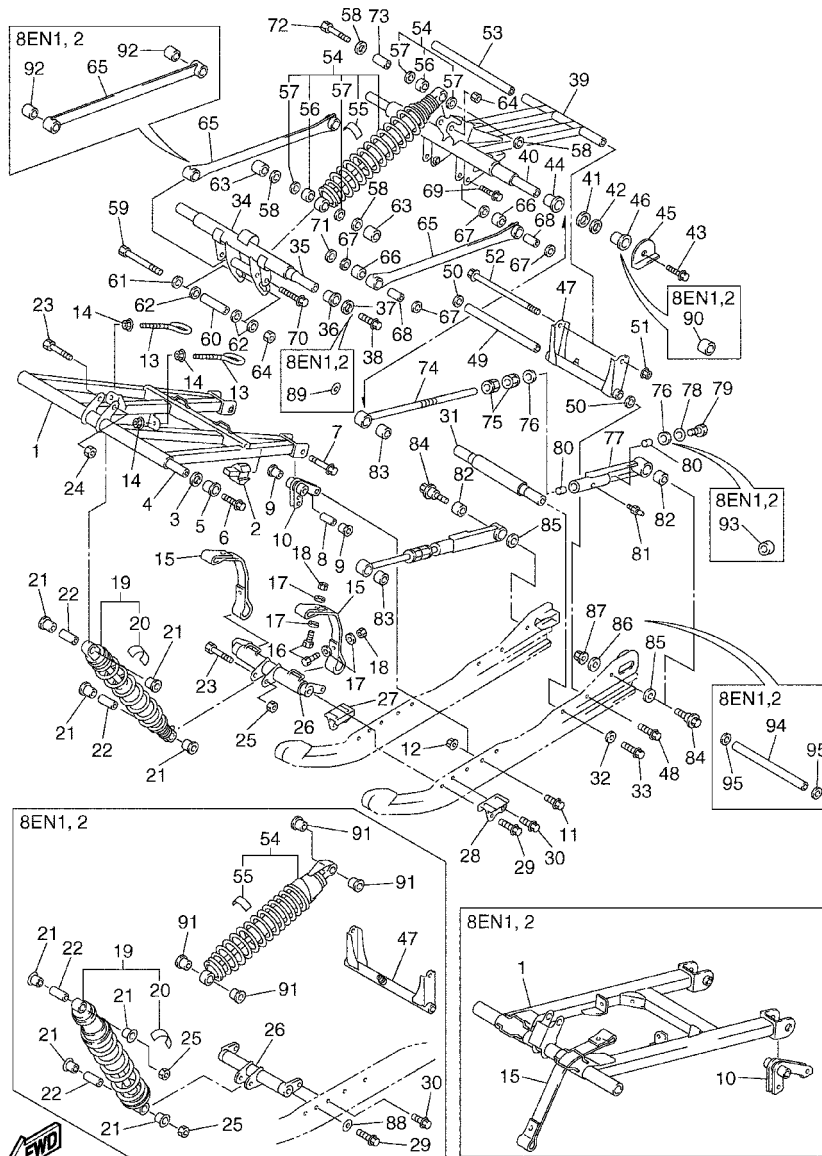
FIG. 24 TRACK SUSPENSION 1



8EK3100-B240

REF. NO.	PART NO.	DESCRIPTION	8EK3	8EK4	8EN1	8EN2	REMARKS
49	95707-10300	NUT, FLANGE	2	2	2	2	
50	92907-10600	WASHER, PLATE	2	2	2	2	
51	82M-47485-02	SHAFT 3			1	1	
52	90201-10126	WASHER, PLATE			2	2	
53	90105-10433	BOLT, FLANGE			2	2	
54	90387-20002	COLLAR			1	1	
55	90387-20003	COLLAR			2	2	

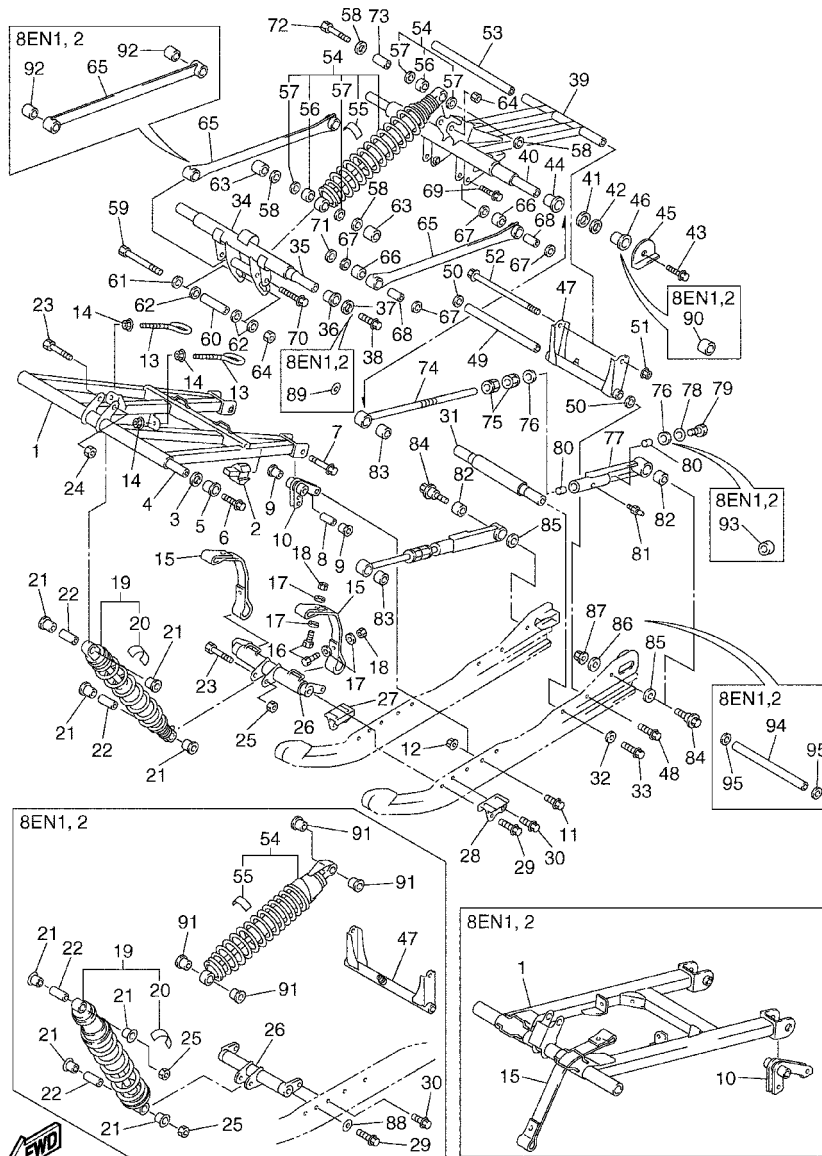
FIG. 25 TRACK SUSPENSION 2



8EK3100-B250

REF. NO.	PART NO.	DESCRIPTION	8EK3	8EK4	8EN1	8EN2	REMARKS
1	8CV-47331-01	ARM, PIVOT 1	1	1			
	8ED-47331-00	ARM, PIVOT 1			1	1	
2	8DF-47456-10	DAMPER 1	2	2			
3	90201-210U0	WASHER, PLATE	2	2	2	2	
4	8CR-47465-00	SHAFT 1	1	1	1	1	
5	90381-19111	BUSH, SOLID	2	2	2	2	
6	90105-103A1	BOLT, FLANGE	2	2	2	2	
7	90105-10769	BOLT, FLANGE	2	2	2	2	
8	90387-1009T	COLLAR	2	2	2	2	
9	90381-15112	BUSH, SOLID	4	4	4	4	
10	8CR-47415-00	BRACKET 1	2	2			
	8ED-47415-00	BRACKET 1			2	2	
11	95817-10025	BOLT, FLANGE	2	2	2	2	
12	95607-10200	NUT, SELF-LOCKING	2	2	2	2	
13	8CR-47448-00	HOOK 3	2	2	2	2	
14	95707-08500	NUT, FLANGE	4	4	4	4	
15	8CR-47495-00	STOPPER 1	2	2			
	8ED-47495-00	STOPPER 1			2	2	
16	97007-06025	BOLT	4	4	4	4	
17	90201-06747	WASHER, PLATE	8	8	8	8	
18	95707-06300	NUT, FLANGE	4	4	4	4	
19	8EK-47481-00	SHOCK ABSORBER 2	1				
	8EK-47481-10	SHOCK ABSORBER 2		1			
	8EK-47481-20	SHOCK ABSORBER 2		1			FOR JPN
	8EN-47481-00	SHOCK ABSORBER 2			1		
	8EN-47481-10	SHOCK ABSORBER 2				1	
	8EN-47481-20	SHOCK ABSORBER 2				1	FOR JPN

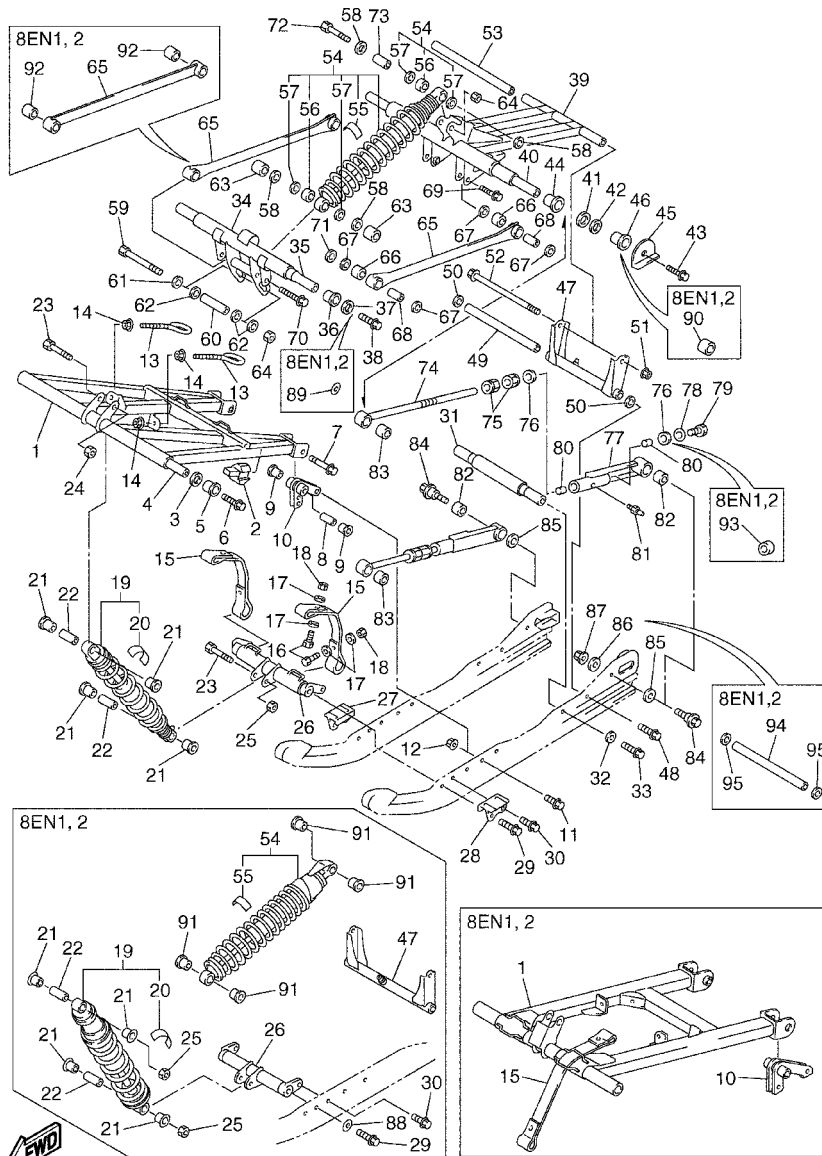
FIG. 25 TRACK SUSPENSION 2



8EK3100-B250

REF. NO.	PART NO.	DESCRIPTION	8EK3	8EK4	8EN1	8EN2	REMARKS
20	4AA-22259-60	.LABEL, WARNING	1		1		FOR JPN
	4AA-22259-40	.LABEL, WARNING		1		1	
	4AA-22259-50	.LABEL, WARNING		1		1	
21	90381-14101	BUSH, SOLID	4	4			
	90387-145G7	COLLAR			4	4	
22	90387-105G5	COLLAR	2	2	2	2	
23	90101-10738	BOLT	2	2	2	2	
24	90185-10110	NUT, SELF-LOCKING	1	1			
25	95607-10100	NUT, U	1	1	2	2	
26	8EA-47418-00	BRACKET 4	1	1			
	8ED-47418-00	BRACKET 4			1	1	
27	8DF-47463-01	BRACKET 5	1	1			
28	8DF-47464-01	BRACKET 6	1	1			
29	90105-10433	BOLT, FLANGE	2	2	2	2	
30	90105-08450	BOLT, FLANGE	2	2			
	95817-08020	BOLT, FLANGE			2	2	
31	8CR-47486-00	SHAFT 4	1	1	1	1	
32	90201-100L3	WASHER, PLATE	2	2	2	2	
33	90105-10433	BOLT, FLANGE	2	2	2	2	
34	8CR-47416-10	BRACKET 2	1	1			
	8EN-47416-00	BRACKET 2			1	1	
35	8CR-47488-00	SHAFT 6	1	1	1	1	
36	90381-22099	BUSH, SOLID	2	2	2	2	
37	90201-207J5	WASHER, PLATE	2	2	2	2	
38	90105-103A1	BOLT, FLANGE	2	2	2	2	
39	8CR-47332-10	ARM, PIVOT 2	1	1	1	1	
40	8CR-47475-00	SHAFT 2	1	1			

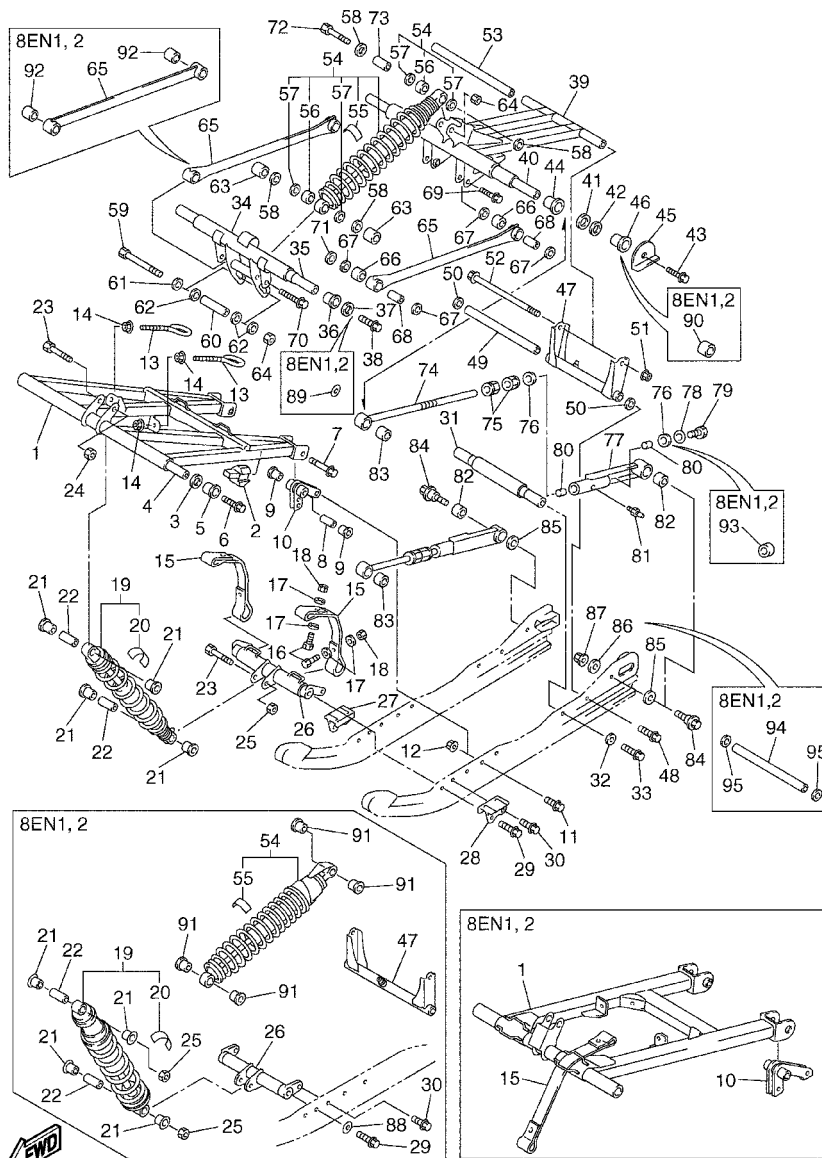
FIG. 25 TRACK SUSPENSION 2



8EK3100-B250

REF. NO.	PART NO.	DESCRIPTION	8EK3	8EK4	8EN1	8EN2	REMARKS
40	8CY-47475-01	SHAFT 2			1	1	
41	90201-251G8	WASHER, PLATE	2	2	2	2	
42	90201-250T6	WASHER, PLATE	2	2	2	2	
43	90105-103A1	BOLT, FLANGE	2	2	2	2	
44	90381-28108	BUSH, SOLID	2	2	2	2	
45	8CR-47426-21	BRACKET, REAR 1	2	2			
46	8CR-47425-00	BRACKET, REAR 2	2	2			
47	8CR-47417-01	BRACKET 3	1	1			
	8ED-47417-01	BRACKET 3			1	1	
48	90105-10433	BOLT, FLANGE	2	2	2	2	
49	82M-47485-02	SHAFT 3	1	1	1	1	
50	90201-10136	WASHER, PLATE	2	2	2	2	
51	95607-08200	NUT, SELF-LOCKING	1	1	1	1	
52	95827-08220	BOLT, FLANGE	1	1	1	1	
53	90387-083G6	COLLAR	1	1	1	1	
54	8CH-47480-40	SHOCK ABSORBER	1				
	8CH-47480-50	SHOCK ABSORBER		1			FOR JPN
	8CH-47480-60	SHOCK ABSORBER		1			FOR JPN
	8EN-47480-00	SHOCK ABSORBER			1		
	8EN-47480-10	SHOCK ABSORBER				1	
	8EN-47480-20	SHOCK ABSORBER				1	FOR JPN
55	4AA-22259-60	.LABEL, WARNING	1		1		
	4AA-22259-40	.LABEL, WARNING		1		1	
	4AA-22259-50	.LABEL, WARNING		1		1	FOR JPN
56	93315-21454	.BEARING	2	2			
57	93109-14021	.O-RING	4	4			
58	90202-14226	WASHER, PLATE	4	4			

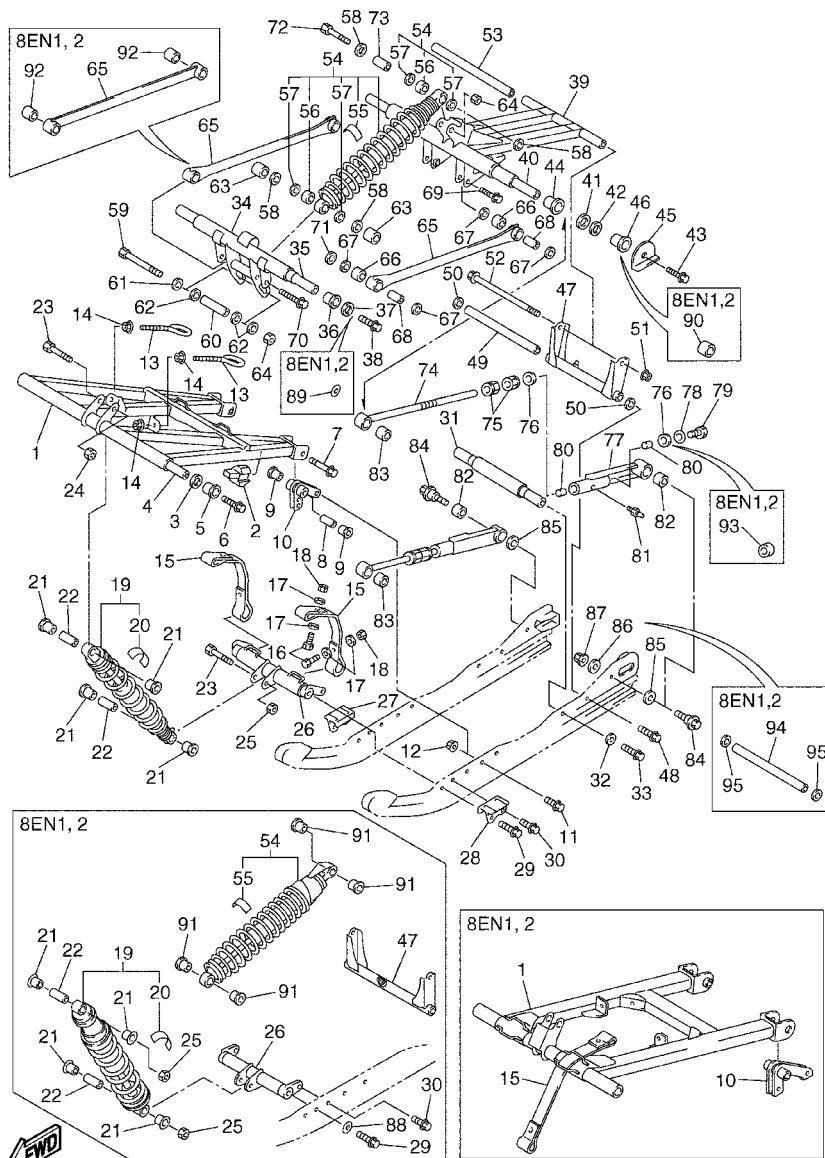
FIG. 25 TRACK SUSPENSION 2



8EK3100-B250

REF. NO.	PART NO.	DESCRIPTION	8EK3	8EK4	8EN1	8EN2	REMARKS
59	8AC-4631K-00	BOLT, ADJUSTING	1	1	1	1	
60	90387-1009S	COLLAR	1	1	1	1	
61	90201-103U4	WASHER, PLATE	1	1	1	1	
62	90201-100U1	WASHER, PLATE	3	3	3	3	
63	90387-1404R	COLLAR	2	2	2	2	
64	95607-10100	NUT, U	2	2	2	2	
65	8CX-47494-01	ROD, RELAY	2	2			
	8CR-47494-01	ROD, RELAY			2	2	
66	93315-21455	BEARING	4	4			
67	93109-14021	O-RING	8	8			
68	90387-1007M	COLLAR	4	4			
	90387-100X3	COLLAR			4	4	
69	90105-10739	BOLT, FLANGE	2	2	2	2	
70	90105-10436	BOLT, FLANGE	2	2	2	2	
71	90201-100U1	WASHER, PLATE	2	2	2	2	
72	90101-10738	BOLT	1	1	1	1	
73	90387-1007N	COLLAR	1	1			
	90387-105G5	COLLAR			1	1	
74	8EK-4745A-00	ROD, CONTROL 1	2	2			
	8ED-4745A-00	ROD, CONTROL 1			2	2	
75	8EK-4745C-00	ROD, CONTROL 3	4	4			
76	90202-16229	WASHER, PLATE	4	4			
77	8CR-4745B-00	ROD, CONTROL 2	2	2	2	2	
78	90201-106F2	WASHER, PLATE	2	2	2	2	
79	97027-10025	BOLT	2	2	2	2	
80	90384-16251	BUSH, BIMETAL FORMED	4	4	4	4	
81	93700-06004	NIPPLE, GREASE	2	2	2	2	

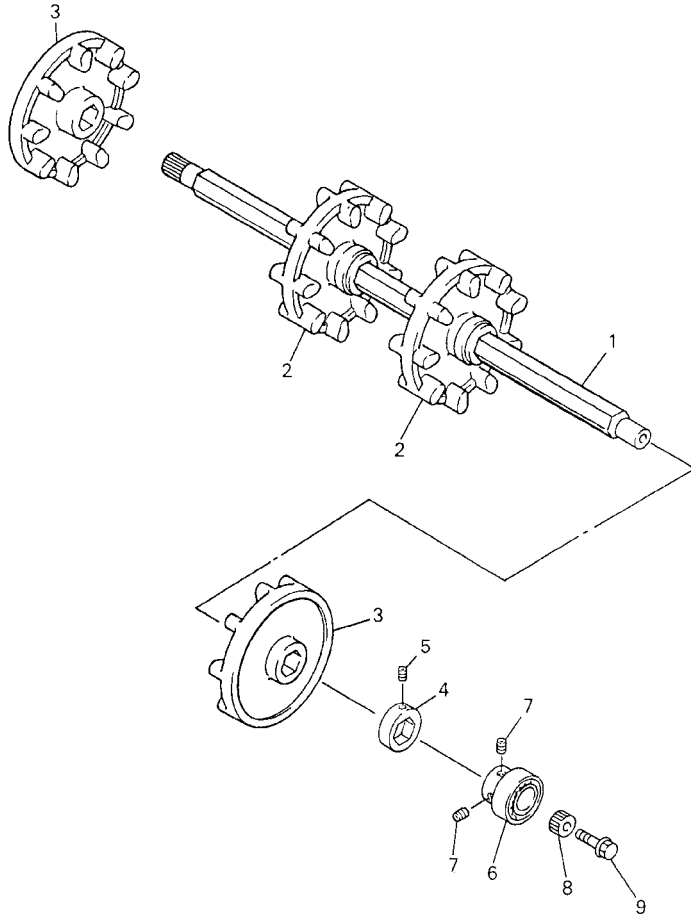
FIG. 25 TRACK SUSPENSION 2



8EK3100-B250

REF. NO.	PART NO.	DESCRIPTION	8EK3	8EK4	8EN1	8EN2	REMARKS
82	90380-22232	BUSH, SOLID	2	2	2	2	
83	90380-28235	BUSH, SOLID	2	2	2	2	
84	8DF-47367-00	SCREW, REAR PIVOT	2	2	2	2	
85	90201-100S2	WASHER, PLATE	2	2	2	2	
86	90201-101U2	WASHER, PLATE	2	2			
87	95607-10200	NUT, SELF-LOCKING	2	2			
88	90201-105A2	WASHER, PLATE			2	2	
89	90201-106F2	WASHER, PLATE			2	2	
90	90387-2510A	COLLAR			2	2	
91	90381-14101	BUSH, SOLID			4	4	
92	90381-14109	BUSH, SOLID			4	4	
93	90202-16231	WASHER, PLATE			2	2	
94	82M-47485-02	SHAFT 3			1	1	
95	90201-10136	WASHER, PLATE			2	2	

FIG. 26 TRACK DRIVE 1

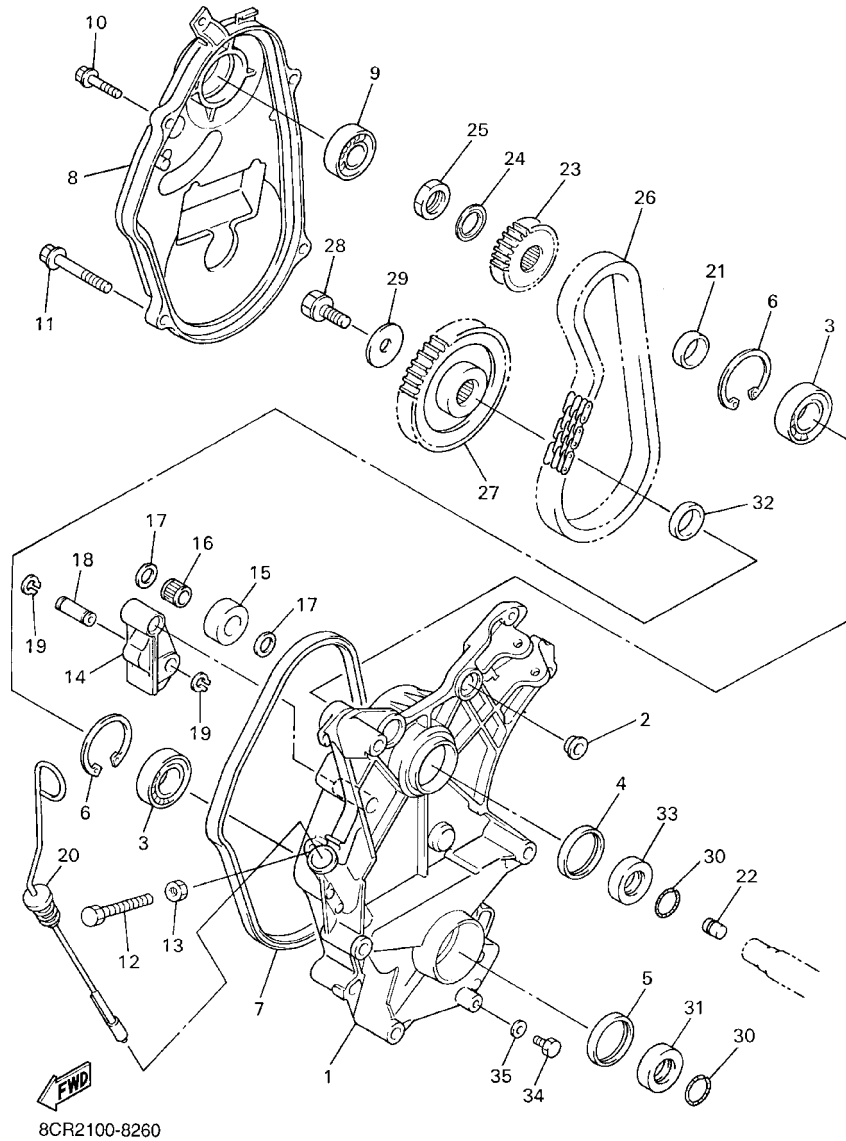


REF. NO.	PART NO.	DESCRIPTION	8EK3	8EK4	8EN1	8EN2	REMARKS
1	8EK-47511-00	AXLE, FRONT	1	1	1	1	
2	8BW-47531-00	WHEEL, SPROCKET 1	2	2			
	8BF-47531-00	WHEEL, SPROCKET 1			2	2	
3	8BW-47532-10	WHEEL, SPROCKET 2	2	2			
	8DP-47532-00	WHEEL, SPROCKET 2			2	2	
4	8BW-47526-00	COLLAR	2	2	2	2	
5	90113-06039	BOLT, SET	2	2	2	2	
6	93306-20589	BEARING	1	1	1	1	
7	90113-06064	BOLT, SET	2	2	2	2	
8	8EK-47715-00	JOINT	1	1	1	1	
9	90105-105A0	BOLT, FLANGE	1	1	1	1	



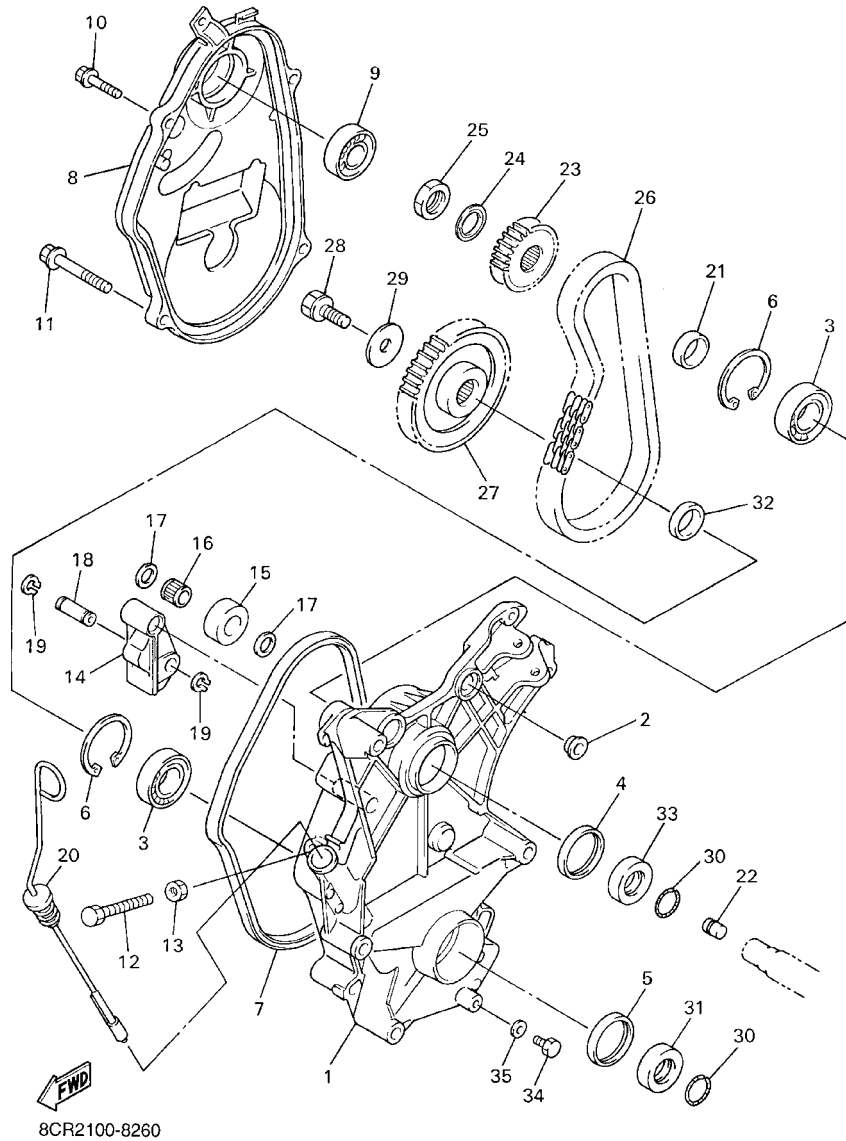
8EK1100-2250

FIG. 27 TRACK DRIVE 2



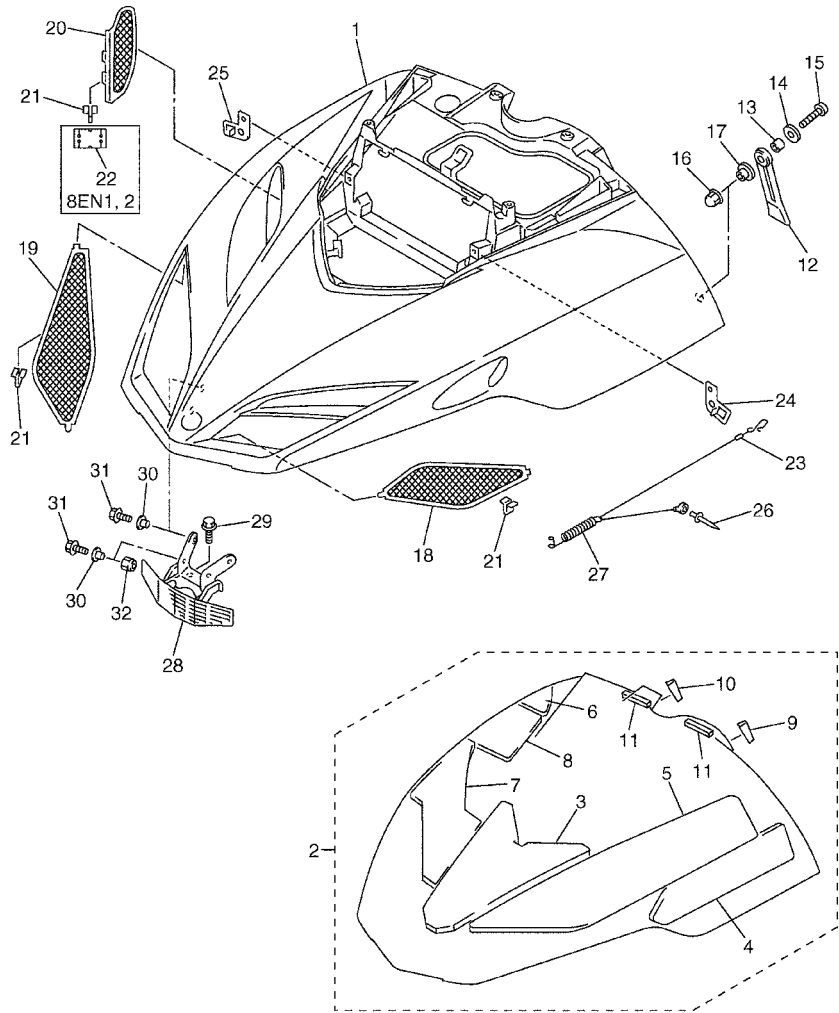
REF. NO.	PART NO.	DESCRIPTION	8EK3	8EK4	8EN1	8EN2	REMARKS
1	8CR-47541-01	HOUSING, CHAIN	1	1	1	1	
2	90179-10679	NUT	2	2	2	2	
3	93306-20592	BEARING	2	2	2	2	
4	93102-35473	OIL SEAL	1	1	1	1	
5	93102-35318	OIL SEAL	1	1	1	1	
6	99009-52500	CIRCLIP	2	2	2	2	
7	8CR-47558-01	RING, HOUSING	1	1	1	1	
8	8CR-47543-01	CAP, HOUSING	1	1	1	1	
9	93306-20402	BEARING (B6204JRC3)	1	1	1	1	
10	95827-08030	BOLT, FLANGE	4	4	4	4	
11	95827-10060	BOLT, FLANGE	3	3	3	3	
12	90101-10357	BOLT	1	1	1	1	
13	95307-10600	NUT	1	1	1	1	
14	8CR-47613-00	HOLDER	1	1	1	1	
15	8CR-47612-00	WHEEL	1	1	1	1	
16	93315-21227	BEARING	1	1	1	1	
17	90201-127E1	WASHER, PLATE	2	2	2	2	
18	90249-12227	PIN	1	1	1	1	
19	99009-12400	CIRCLIP	2	2	2	2	
20	8CR-47546-00	LEVEL, OIL	1	1	1	1	
21	90387-2508D	COLLAR	1	1	1	1	
22	82M-17699-00	PLUG, OIL	1	1	1	1	
23	8DW-17682-20	SPROCKET, CHAIN DRIVE (22T)	1	1			
	8DW-17682-10	SPROCKET, CHAIN DRIVE (21T)			1	1	
	8DW-17682-30	SPROCKET, CHAIN DRIVE (23T)				1	FOR JPN
24	90208-22001	WASHER, CONICAL SPRING	1	1	1	1	
25	90170-22094	NUT	1	1	1	1	

FIG. 27 TRACK DRIVE 2



REF. NO.	PART NO.	DESCRIPTION	8EK3	8EK4	8EN1	8EN2	REMARKS
26	94890-09068	CHAIN (68L)	1	1			
	94890-09070	CHAIN (70L)			1	1	
27	8DW-47587-80	SPROCKET, CHAIN DRIVEN (38T)	1	1			
	8DW-47587-00	SPROCKET, CHAIN DRIVEN (40T)			1	1	
28	90105-10751	BOLT, FLANGE	1	1	1	1	
29	90201-10321	WASHER, PLATE	1	1	1	1	
30	93210-25071	O-RING	2	2	2	2	
31	90387-2508C	COLLAR	1	1	1	1	
32	90387-2508B	COLLAR	1	1	1	1	
33	90387-2511J	COLLAR	1	1	1	1	
34	97007-08014	BOLT	1	1	1	1	
35	90210-08017	WASHER, SEAL	1	1	1	1	

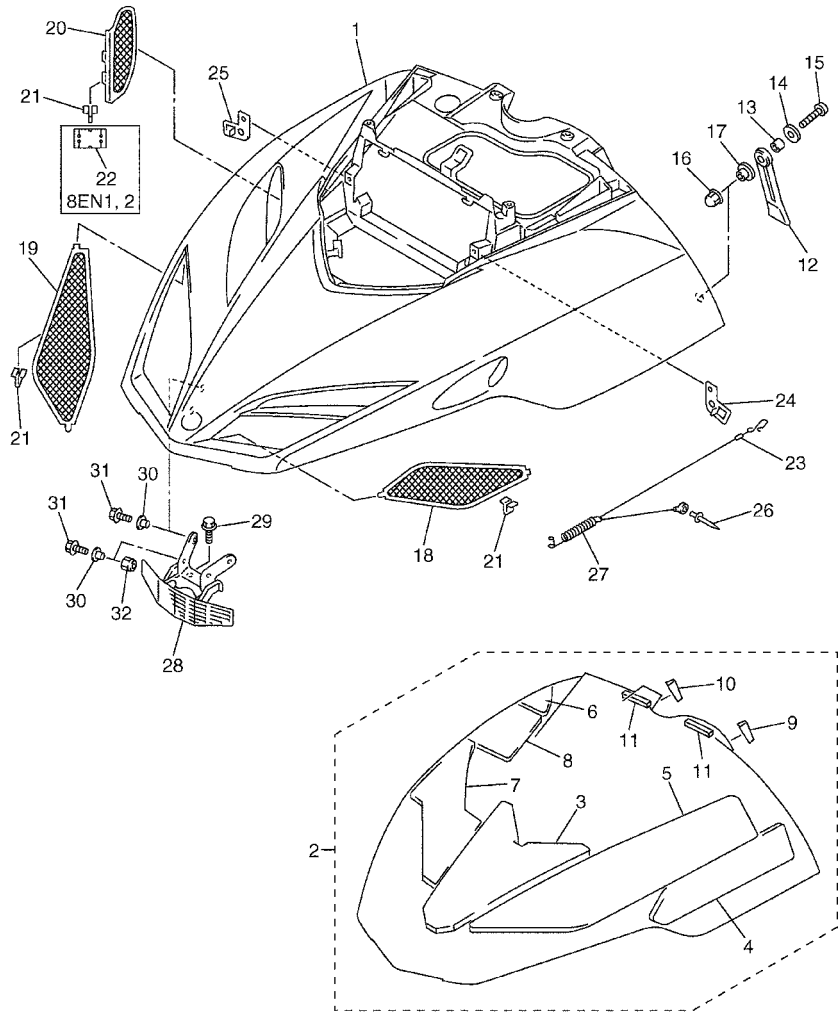
FIG. 28 SHROUD




8EK3100-B280

REF. NO.	PART NO.	DESCRIPTION	8EK3	8EK4	8EN1	8EN2	REMARKS
1	8EK-77111-01	SHROUD	1	1	1	1	UR FOR DPBMC
	8EK-77111-10	SHROUD	1	1	1	1	UR FOR HTR
2	8EK-W7726-10	LINING SET	1	1	1	1	
3	8EK-77271-00	.DAMPER, NOISE 11	1	1	1	1	
4	8EK-77273-00	.DAMPER, NOISE 13	1	1	1	1	
5	8EK-77274-00	.DAMPER, NOISE 14	1	1	1	1	
6	8EK-77275-00	.DAMPER, NOISE 15	1	1	1	1	
7	8EK-77276-00	.DAMPER, NOISE 16	1	1	1	1	
8	8EK-77278-00	.DAMPER, NOISE 18	1	1	1	1	
9	8EK-77165-00	.TRIM 1	1	1	1	1	
10	8EK-77166-00	.TRIM 2	1	1	1	1	
11	8EK-7712E-00	.INSULATOR	2	2	2	2	
12	8V0-77171-00	BODY, LATCH 1	2	2	2	2	
13	90387-06241	COLLAR	2	2	2	2	
14	90201-06557	WASHER, PLATE	2	2	2	2	
15	90154-06078	SCREW, BINDING	2	2	2	2	
16	90176-06055	NUT, CROWN	2	2	2	2	
17	90387-062M9	COLLAR	2	2	2	2	
18	8EK-77131-00	LOUVER 1	1	1	1	1	
19	8EK-77132-00	LOUVER 2	1	1			
	8EN-77132-00	LOUVER 2			1	1	
20	8EK-77133-00	LOUVER 3	1	1	1	1	
21	90468-06001	CLIP	6	6	6	6	
22	8EN-77261-00	LINING, SHROUD 1			2	2	
23	8EK-77118-00	STOPPER, SHROUD	2	2	2	2	
24	8EK-77125-00	STAY 1	1	1	1	1	
25	8EK-77126-00	STAY 2	1	1	1	1	

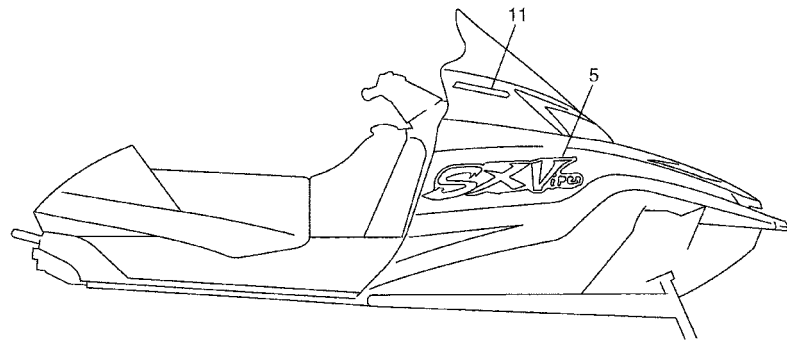
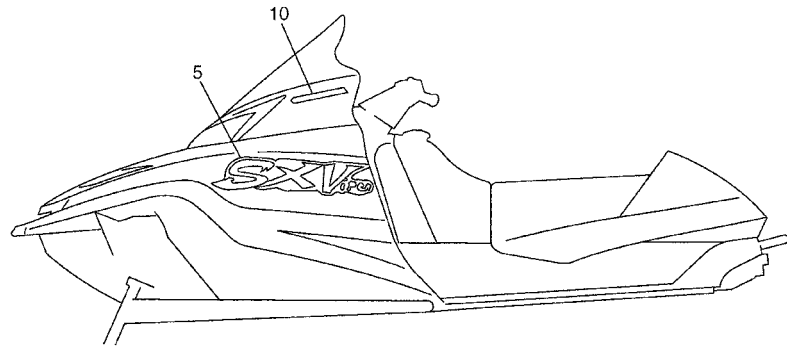
FIG. 28 SHROUD



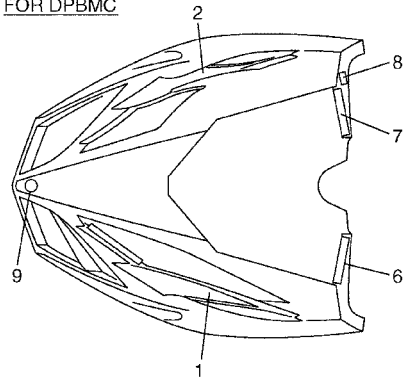
REF. NO.	PART NO.	DESCRIPTION	8EK3	8EK4	8EN1	8EN2	REMARKS
26	90267-48018	RIVET, BLIND	2	2	2	2	
27	89A-77159-00	CLAMP, ROD	2	2	2	2	
28	8EK-77140-00	HINGE ASSY	1	1			
	8EN-77140-00	HINGE ASSY			1	1	
29	95807-06016	BOLT, FLANGE	2	2	2	2	
30	90387-06681	COLLAR	4	4	4	4	
31	95807-06016	BOLT, FLANGE	4	4	4	4	
32	95607-06100	NUT, U	2	2	2	2	

 8EK3100-B280

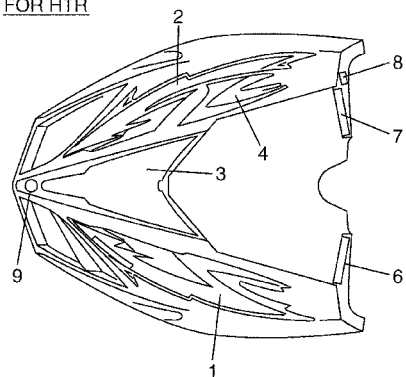
FIG. 29 EMBLEM



FOR DPBMC



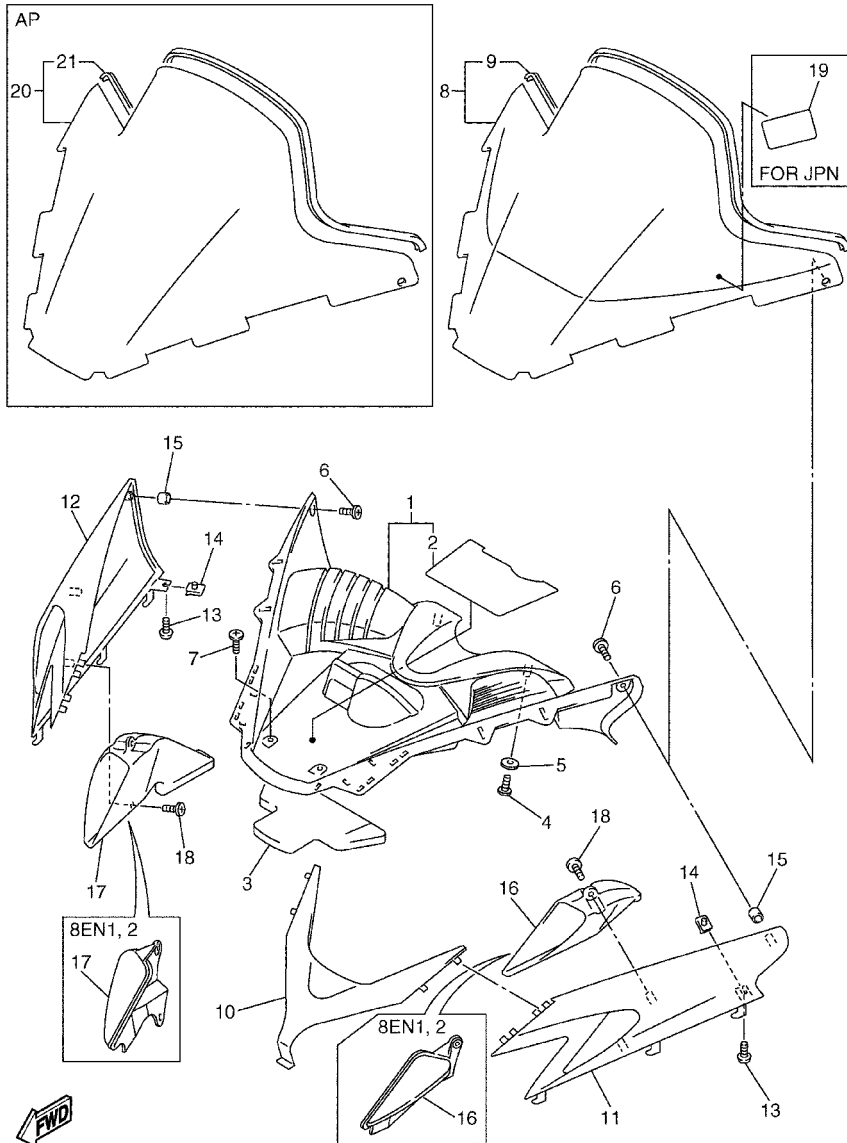
FOR HTR



8EK3100-B290

REF. NO.	PART NO.	DESCRIPTION	8EK3	8EK4	8EN1	8EN2	REMARKS
1	8EK-7711A-10	GRAPHIC 1	1	1	1	1	UR FOR DPBMC
	8FB-7711A-10	GRAPHIC 1	1	1	1	1	UR FOR HTR
2	8EK-7711B-10	GRAPHIC 2	1	1	1	1	UR FOR DPBMC
	8FB-7711B-10	GRAPHIC 2	1	1	1	1	UR FOR HTR
3	8FB-7711C-00	GRAPHIC 3	1	1	1	1	FOR HTR
4	8FB-7711D-00	GRAPHIC 4	1	1	1	1	FOR HTR
5	8EK-77141-20	EMBLEM 1	2	2	2	2	UR FOR DPBMC
	8EK-77141-30	EMBLEM 1	2	2	2	2	UR FOR HTR
6	8EK-77761-E0	LABEL, WARNING 1	1		1		FOR USA/CAN
	8EK-77761-S0	LABEL, WARNING 1			1	1	FOR EUR
	8EK-77761-J0	LABEL, WARNING 1			1	1	FOR JPN
7	8ED-77761-00	LABEL, WARNING 1			1		FOR USA/CAN
	8ED-77761-30	LABEL, WARNING 1				1	FOR EUR
	8ED-77761-20	LABEL, WARNING 1				1	FOR JPN
8	8ED-2191H-E0	LABEL, CAUTION			1		FOR USA/CAN
	8ED-2191H-S0	LABEL, CAUTION				1	FOR EUR
	8ED-2191H-J0	LABEL, CAUTION				1	FOR JPN
9	8AC-2414B-01	EMBLEM	1	1	1	1	
10	8EK-77351-10	EMBLEM 1	1	1			
	8EN-77351-00	EMBLEM 1			1	1	
11	8EK-77352-10	EMBLEM 2	1	1			
	8EN-77351-00	EMBLEM 1			1	1	

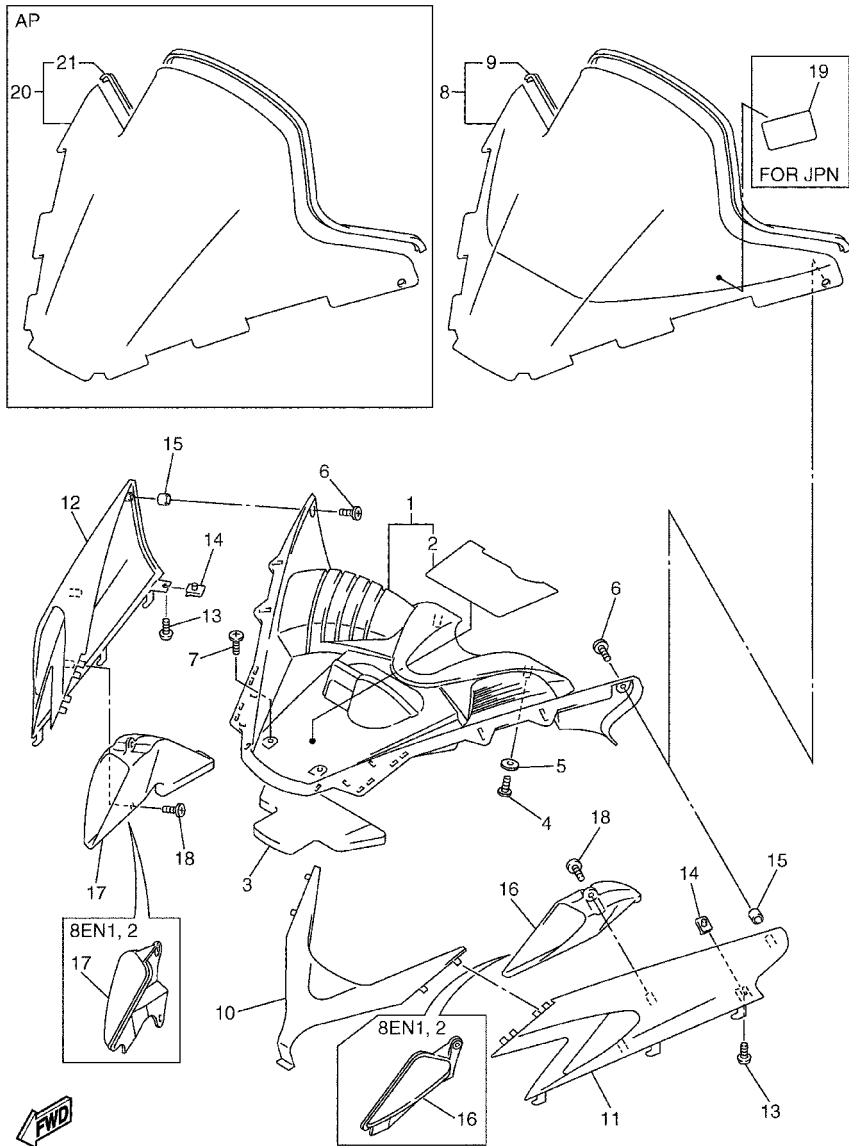
FIG. 30 WINDSHIELD



8EK3100-B300

REF. NO.	PART NO.	DESCRIPTION	8EK3	8EK4	8EN1	8EN2	REMARKS
1	8EK-W7725-10	COVER, HEADLIGHT	1				
	8EK-W7725-00	COVER, HEADLIGHT		1	1	1	
2	8EK-77198-10	.DAMPER 1	1				
	8EK-77198-00	.DAMPER 1		1	1	1	
3	8EK-77277-00	DAMPER, NOISE 17	1	1	1	1	
4	90167-05078	SCREW, TAPPING	2	2	2	2	
5	90201-05029	WASHER, PLATE	2	2	2	2	
6	90167-05079	SCREW, TAPPING	2	2	2	2	
7	98907-06014	SCREW, BIND	2	2	2	2	
8	8FB-K7210-00	WINDSHIELD COMP.	1		1		
	8FB-77210-00	WINDSHIELD COMP.		1		1	
9	8FB-K7213-00	.TRIM, UPPER	1		1		
	8FB-77213-00	.TRIM, UPPER		1		1	
10	8EK-77231-10	FAIRING	1	1	1	1	
11	8EK-7723A-10	FAIRING 2	1	1	1	1	
12	8EK-7723B-10	FAIRING 3	1	1	1	1	
13	98907-06020	SCREW, BIND	2	2	2	2	
14	90183-06053	NUT, SPRING	2	2	2	2	
15	8EK-77238-00	DAMPER	2	2	2	2	
16	8EK-2838N-00	DUCT 1	1	1			
	8EN-77185-00	PLATE 1			1	1	
17	8EK-2838R-00	DUCT 2	1	1			
	8EN-77186-00	PLATE 2			1	1	
18	97707-50012	SCREW, TAPPING	4	4	4	4	
19	80V-2835Y-90	LABEL, CAUTION		1		1	FOR JPN
20	8EK-K7210-00	WINDSHIELD COMP.	1		1		AP
	8EK-77210-00	WINDSHIELD COMP.		1		1	AP

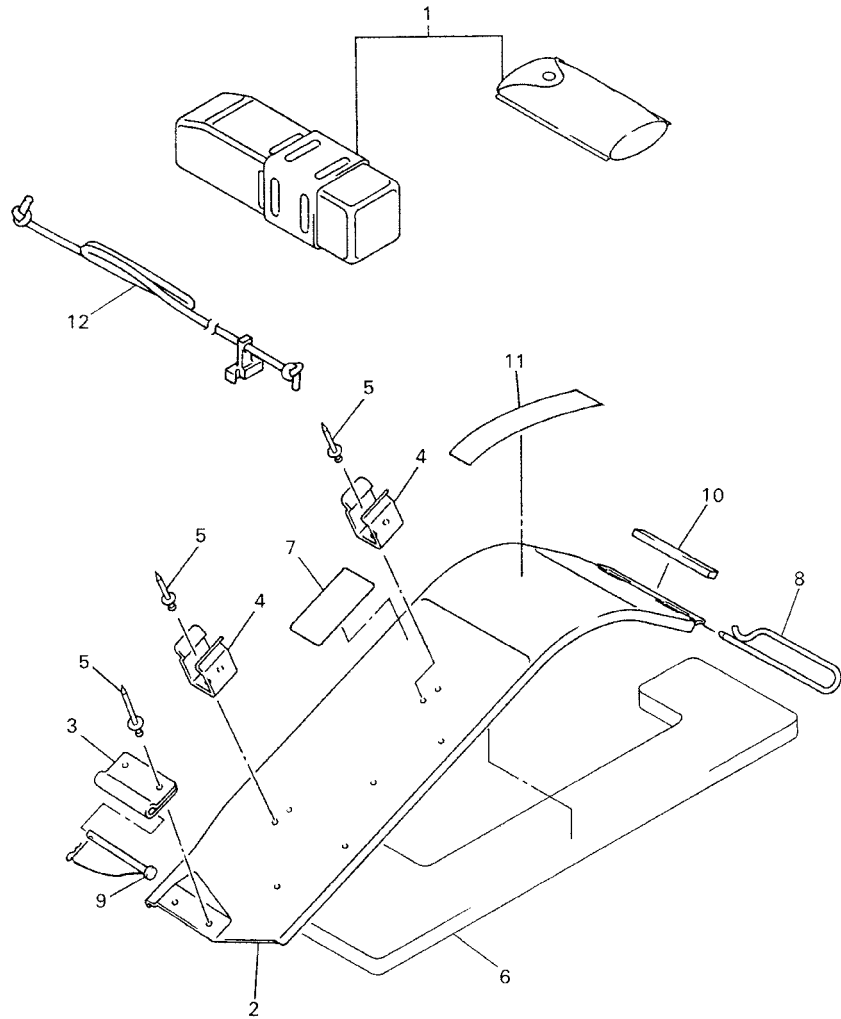
FIG. 30 WINDSHIELD



8EK3100-B300

REF. NO.	PART NO.	DESCRIPTION	8EK3	8EK4	8EN1	8EN2	REMARKS
21	8EK-K7213-00	.TRIM, UPPER	1		1		AP
	8EK-77213-00	.TRIM, UPPER		1		1	AP

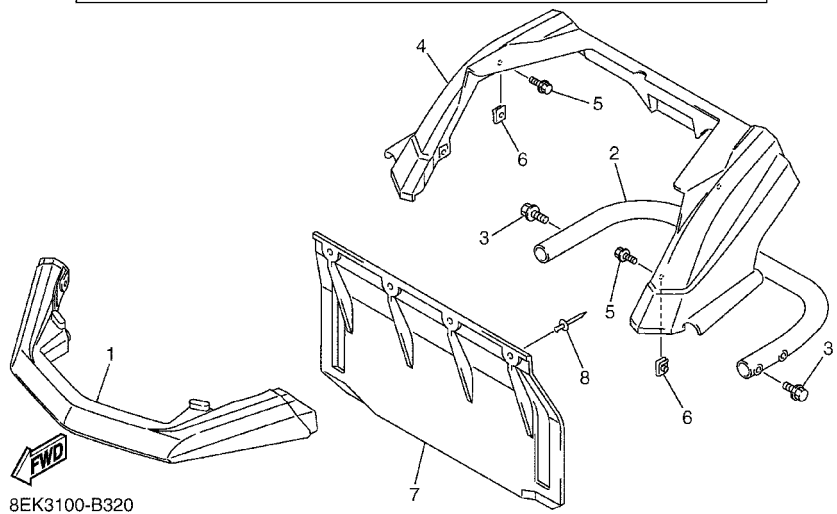
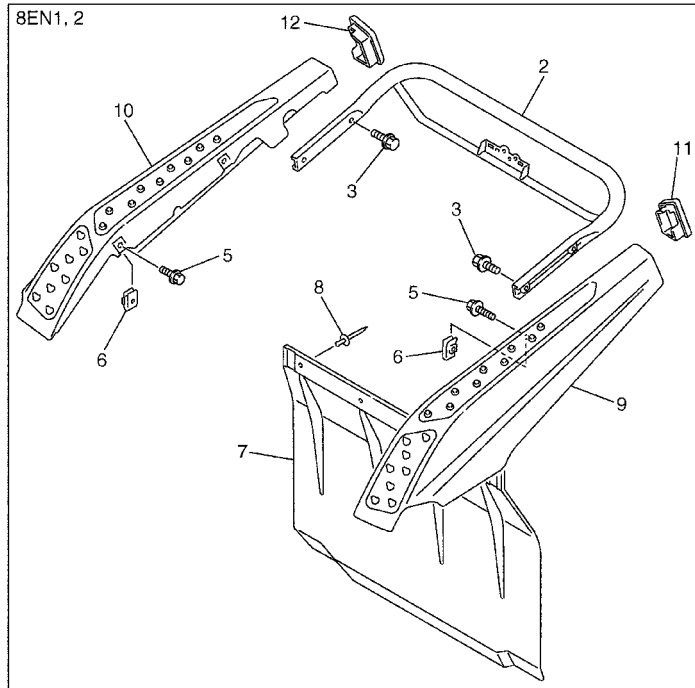
FIG. 31 GUARD, LUGGAGE BOX



REF. NO.	PART NO.	DESCRIPTION	8EK3	8EK4	8EN1	8EN2	REMARKS
1	8EK-28100-00	TOOL KIT	1	1			
	8DF-28100-00	TOOL KIT			1	1	
2	8CR-77311-10	GUARD, DRIVE	1	1	1	1	
3	8CR-77315-00	BRACKET 1	1	1	1	1	
4	8CR-77338-00	STAY, BELT	2	2	2	2	
5	90267-48177	RIVET, BLIND	6	6	6	6	
6	8EK-77272-00	DAMPER, NOISE 12	1	1	1	1	
7	8BD-77762-00	LABEL, WARNING 2	1		1		FOR USA/CAN
	86D-77762-00	LABEL, WARNING 2		1		1	FOR EUR
	8BD-77762-21	LABEL, WARNING 2		1		1	FOR JPN
8	8CR-77384-00	PIN	1	1	1	1	
9	83R-77327-00	SHAFT	1	1	1	1	
10	8CR-77319-00	DAMPER 1	1	1	1	1	
11	8EK-1417E-10	LABEL, CAUTION	1	1	1	1	FOR USA,CAN,EUR
12	8R4-15780-00	EMERGENCY STARTER ROPE ASSY	1	1	1	1	

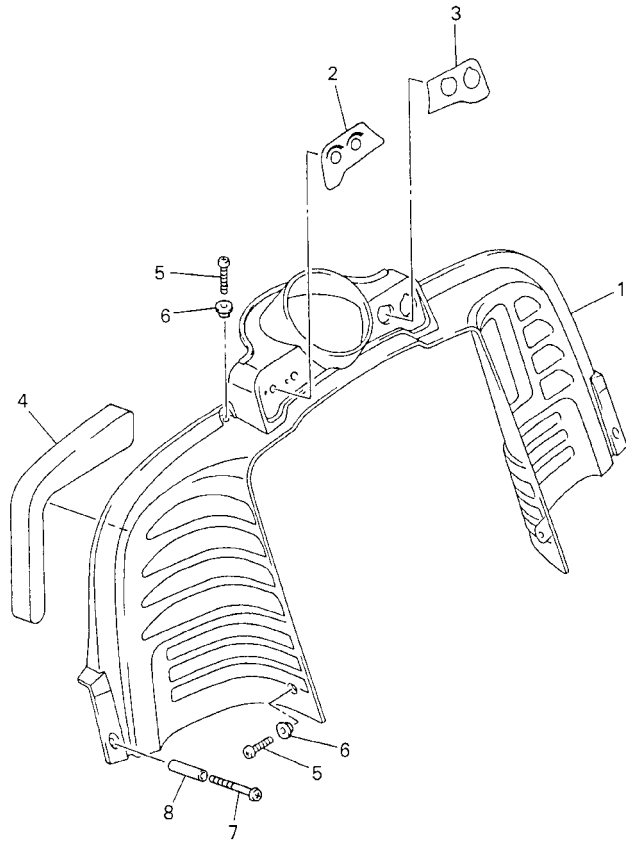

8EK3100-B310

FIG. 32 BUMPER



REF. NO.	PART NO.	DESCRIPTION	8EK3	8EK4	8EN1	8EN2	REMARKS
1	8EK-77511-00	BUMPER, FRONT 1	1	1	1	1	
2	8EK-77541-00	BUMPER, REAR 1	1	1			
	8EN-77541-00	BUMPER, REAR 1			1	1	
3	95827-08016	BOLT, FLANGE	4	4			
	95027-08016	BOLT, FLANGE			4	4	
4	8EK-77542-00	BUMPER, REAR 2	1	1			
5	95807-06016	BOLT, FLANGE	4	4	4	4	
6	90183-06053	NUT, SPRING	4	4	4	4	
7	8CR-K7595-00	FLAP	1				
	8CR-77595-00	FLAP		1			
	8ED-K7595-00	FLAP			1		
	8ED-77595-00	FLAP				1	
8	90267-47187	RIVET, BLIND	4	4	4	4	
9	8ED-77542-01	BUMPER, REAR 2			1	1	
10	8ED-77543-01	BUMPER, REAR 3			1	1	
11	8EN-77563-00	COVER, 3			1	1	
12	8EN-77564-00	COVER, 4			1	1	

FIG. 33 INSTRUMENT PANEL



REF. NO.	PART NO.	DESCRIPTION	8EK3	8EK4	8EN1	8EN2	REMARKS
1	8DM-77711-00	PANEL, INSTRUMENT	1	1	1	1	
2	8DM-77741-00	INDICATOR 1	1	1	1	1	
3	8DM-77742-00	INDICATOR 2	1	1	1	1	
4	8EK-77279-00	DAMPER, NOISE 19	1	1	1	1	
5	98907-06012	SCREW, BIND	4	4	4	4	
6	90387-0611K	COLLAR	4	4	4	4	
7	90154-06077	SCREW, BINDING	2	2	2	2	
8	90387-06036	COLLAR	2	2	2	2	

FIG. 34 GENERATOR

REF. NO.	PART NO.	DESCRIPTION	8EK3	8EK4	8EN1	8EN2	REMARKS
1	8EK-81410-00	STATOR ASSY	1	1	1	1	
2	8DN-81450-00	ROTOR ASSY	1	1	1	1	
3	90465-12011	CLAMP	1	1	1	1	
4	98507-06030	SCREW	3	3	3	3	
5	92907-06100	WASHER, SPRING	3	3	3	3	
6	92907-06600	WASHER, PLATE	3	3	3	3	
7	91317-05014	BOLT	2	2	2	2	

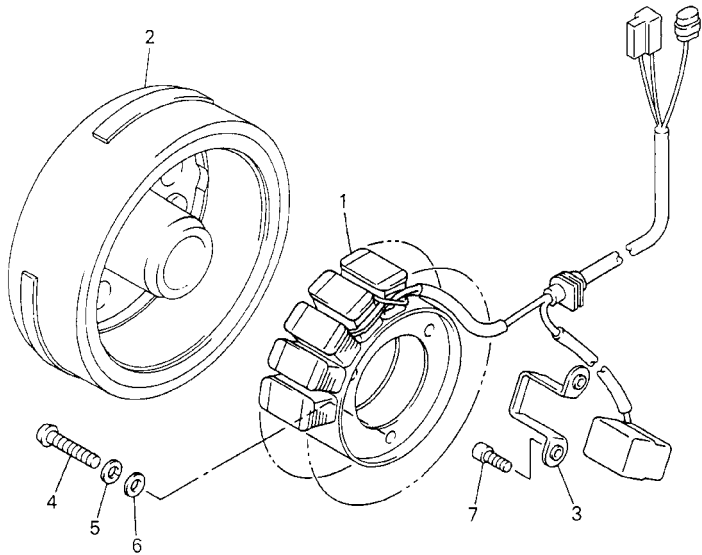
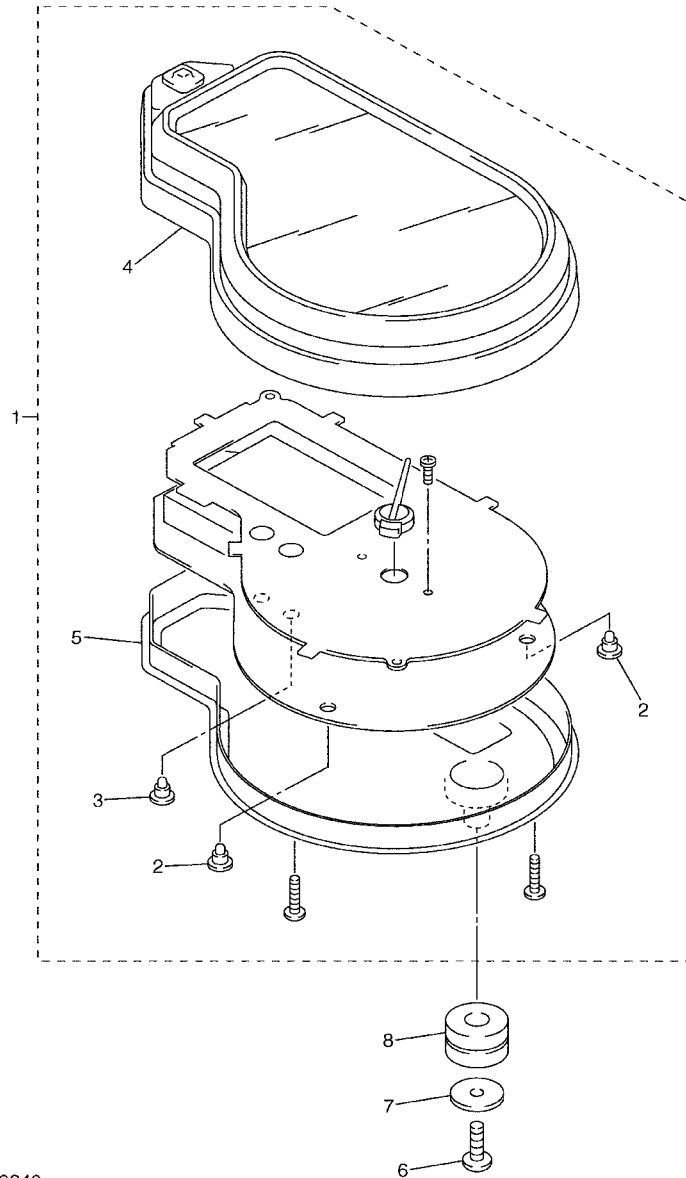


FIG. 35 METER

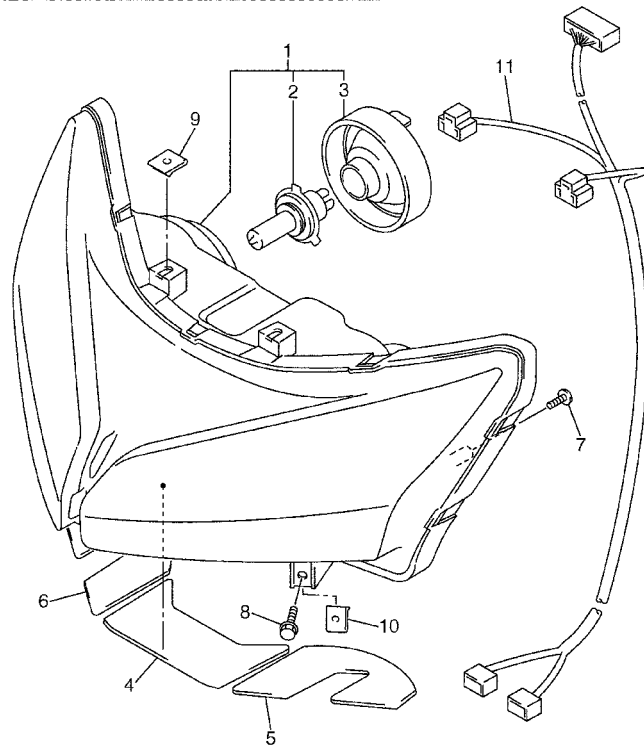
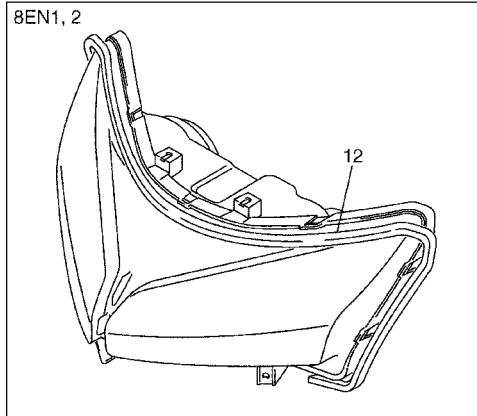


REF. NO.	PART NO.	DESCRIPTION	8EK3	8EK4	8EN1	8EN2	REMARKS
1	8EK-83500-10	SPEEDOMETER ASSY (km/h)	1	1			
	8EK-83500-00	SPEEDOMETER ASSY (mph)	1				FOR USA
	8EN-83500-10	SPEEDOMETER ASSY (km/h)			1	1	
	8EN-83500-00	SPEEDOMETER ASSY (mph)			1		FOR USA
2	4WM-83517-00	.BULB (T3 12V-40MA)	6	6	6	6	
3	4WM-83517-10	.BULB (T3.4 12V-80mA)	2	2	2	2	
4	8EK-8353E-00	.CASE, METER UPPER	1	1	1	1	
5	8EK-83572-00	.CASE, SPEEDOMETER LOWER	1	1	1	1	
6	97707-50016	SCREW, TAPPING	3	3	3	3	
7	90201-05036	WASHER, PLATE	3	3	3	3	
8	4XV-83513-00	DAMPER	3	3	3	3	



8EK1100-2340

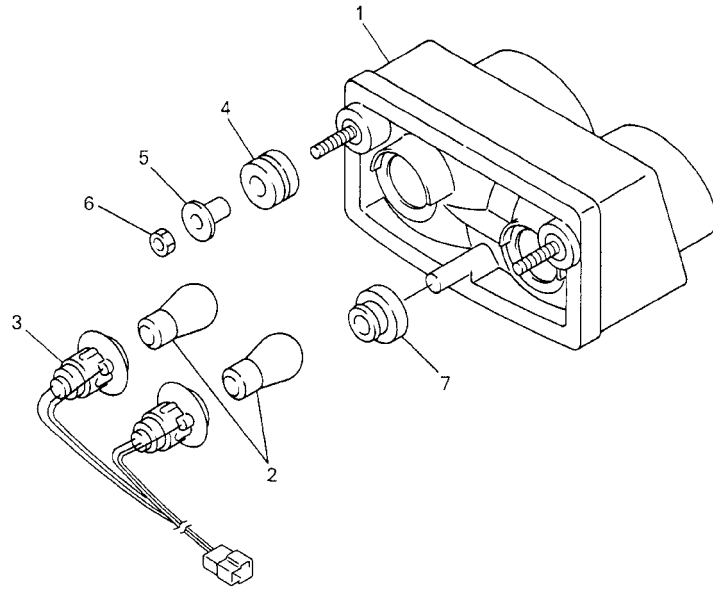
FIG. 36 HEADLIGHT



8EK3100-B360

REF. NO.	PART NO.	DESCRIPTION	8EK3	8EK4	8EN1	8EN2	REMARKS
1	8EK-84310-00	HEADLIGHT UNIT ASSY	1	1	1	1	
2	8G9-84314-00	.BULB (12V-60/55W)	2	2	2	2	(H4)HALOGEN
3	8EK-84397-00	.COVER, SOCKET	2	2	2	2	
4	8EK-8399N-00	INSULATOR 1	1	1	1	1	
5	8EK-8368L-00	INSULATOR 2	1	1	1	1	
6	8EK-8368M-00	INSULATOR 3	1	1	1	1	
7	90167-05078	SCREW, TAPPING	2	2	2	2	
8	95807-06016	BOLT, FLANGE	2	2	2	2	
9	90183-06053	NUT, SPRING	2	2	2	2	
10	90183-06100	NUT, SPRING	2	2	2	2	
11	8EK-84359-00	CORD, HEADLIGHT	1	1	1	1	
12	8EN-83669-00	INSULATOR			1	1	

FIG. 37 TAILLIGHT

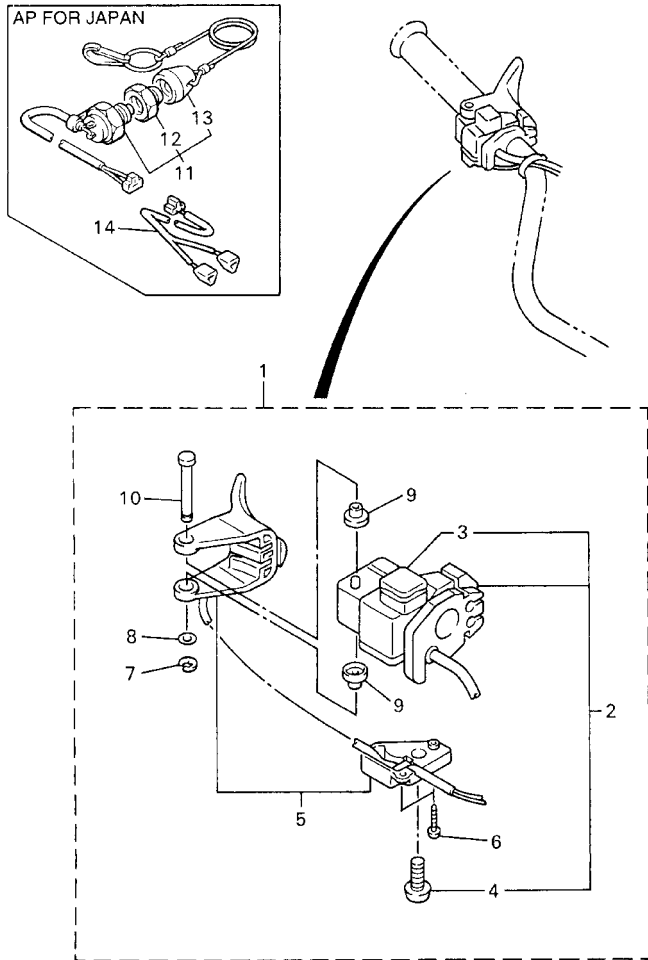


REF. NO.	PART NO.	DESCRIPTION	8EK3	8EK4	8EN1	8EN2	REMARKS
1	4XV-84540-00	LENS ASSY	1	1	1	1	
2	137-84714-60	BULB, TAILLIGHT(12V-21/5W)	2	2	2	2	
3	3LK-8473A-00	CORD ASSY	1	1	1	1	
4	90480-18276	GROMMET	2	2	2	2	
5	90387-06033	COLLAR	2	2	2	2	
6	95307-06600	NUT	2	2	2	2	
7	90480-18171	GROMMET	1	1	1	1	



8EK1100-2360

FIG. 38 HANDLE SWITCH. LEVER

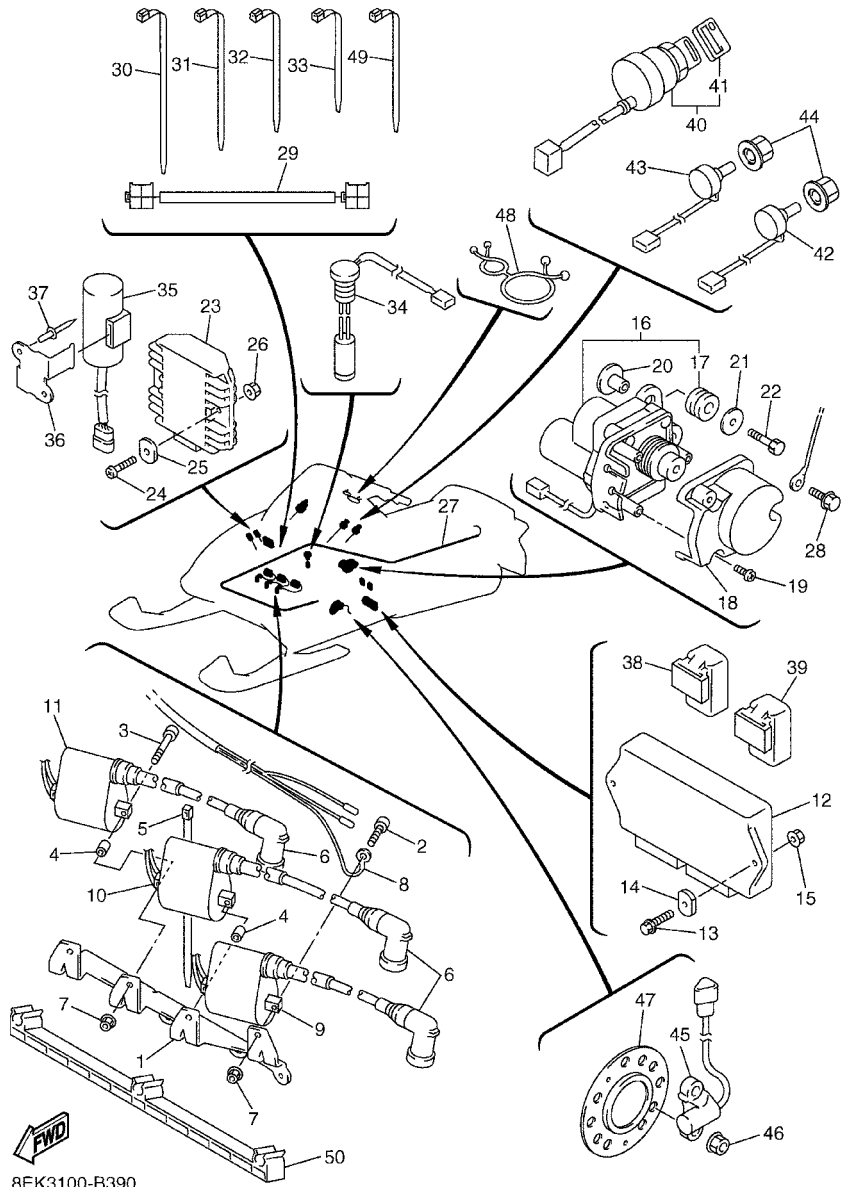


REF. NO.	PART NO.	DESCRIPTION	8EK3	8EK4	8EN1	8EN2	REMARKS
1	8DN-82720-00	LEVER HOLDER ASSY (RIGHT)	1	1	1	1	
2	8AV-83963-00	.SWITCH, HANDLE 3 (RIGHT)	1	1	1	1	
3	8AU-82575-09	..ENGINE STOP SWITCH ASSY	1	1	1	1	WIRE/L=240MM
4	84M-83928-00	..SCREW, ADJUSTING	1	1	1	1	
5	8DN-82970-00	.THUMB WARMER ASSY	1	1	1	1	
6	97707-30614	.SCREW, TAPPING	2	2	2	2	
7	99001-04600	.CIRCLIP	1	1	1	1	
8	85G-83663-00	.WASHER, SPECIAL	1	1	1	1	
9	85G-83956-00	.CAP 1	2	2	2	2	
10	8R6-8399F-00	.SHAFT	1	1	1	1	
11	8H8-82550-01	ENGINE STOP SWITCH ASSY			1	1	AP FOR JPN
12	8H8-82557-00	.NUT			1	1	AP FOR JPN
13	8H7-82552-01	.CAP, SWITCH			1	1	AP FOR JPN
14	89L-82318-00	WIRE, SUB-LEAD			1	1	AP FOR JPN



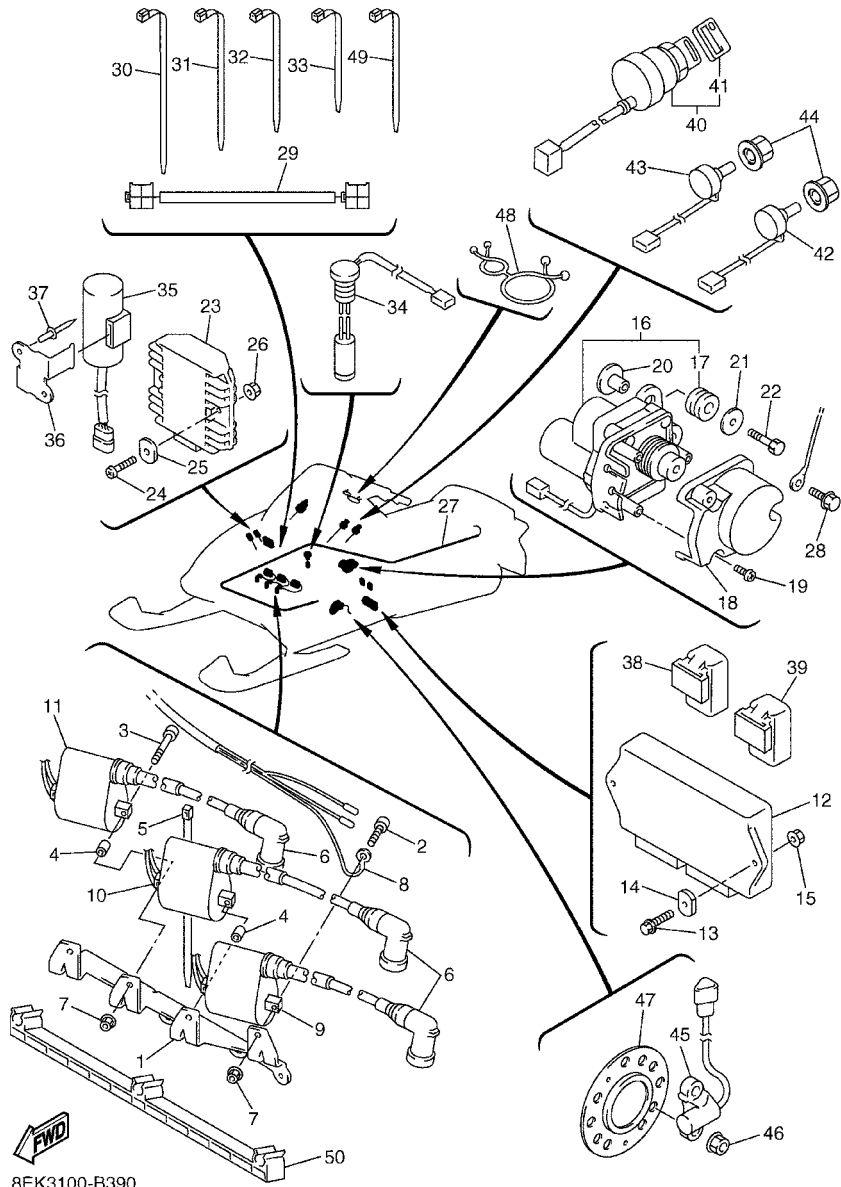
8DA010-6380

FIG. 39 ELECTRICAL 1



FWD
8EK3100-B390

REF. NO.	PART NO.	DESCRIPTION	8EK3	8EK4	8EN1	8EN2	REMARKS
1	8EK-82316-00	BRACKET, IGNITION COIL	1	1	1	1	
2	91317-06020	BOLT	2	2	2	2	
3	91317-06040	BOLT	2	2	2	2	
4	90387-0714B	COLLAR	2	2	2	2	
5	90464-15195	CLAMP	3	3	3	3	
6	8DF-82370-00	PLUG CAP ASSY	3	3	3	3	
7	95607-06200	NUT, SELF U-FLANGE	4	4	4	4	
8	8EK-82509-00	WIRE, SUB LEAD	1	1	1	1	
9	8DF-82310-10	IGNITION COIL ASSY	1	1	1	1	
10	8DF-82310-20	IGNITION COIL ASSY	1	1	1	1	
11	8DF-82310-30	IGNITION COIL ASSY	1	1	1	1	
12	8EK-85540-00	C.D.I. UNIT ASSY	1	1	1	1	
13	95807-06020	BOLT, FLANGE	2	2	2	2	
14	90179-06264	NUT	2	2	2	2	
15	95707-06500	NUT, FLANGE	2	2	2	2	
16	8DF-85820-00	SERVO MOTOR ASSY	1	1	1	1	
17	90480-14023	.GROMMET	2	2	2	2	
18	8DF-85829-00	COVER, SERVO MOTOR	1	1	1	1	
19	98507-05010	SCREW	3	3	3	3	
20	90387-063G3	COLLAR	2	2	2	2	
21	90201-06380	WASHER, PLATE	2	2	2	2	
22	97007-06030	BOLT	2	2	2	2	
23	5BN-81960-00	RECTIFIER & REGULATOR ASSY	1	1	1	1	
24	98907-06025	SCREW, BIND	2	2	2	2	
25	90179-06264	NUT	2	2	2	2	
26	95707-06500	NUT, FLANGĒ	2	2	2	2	
27	8EK-82590-10	WIRE HARNESS ASSY	1	1			

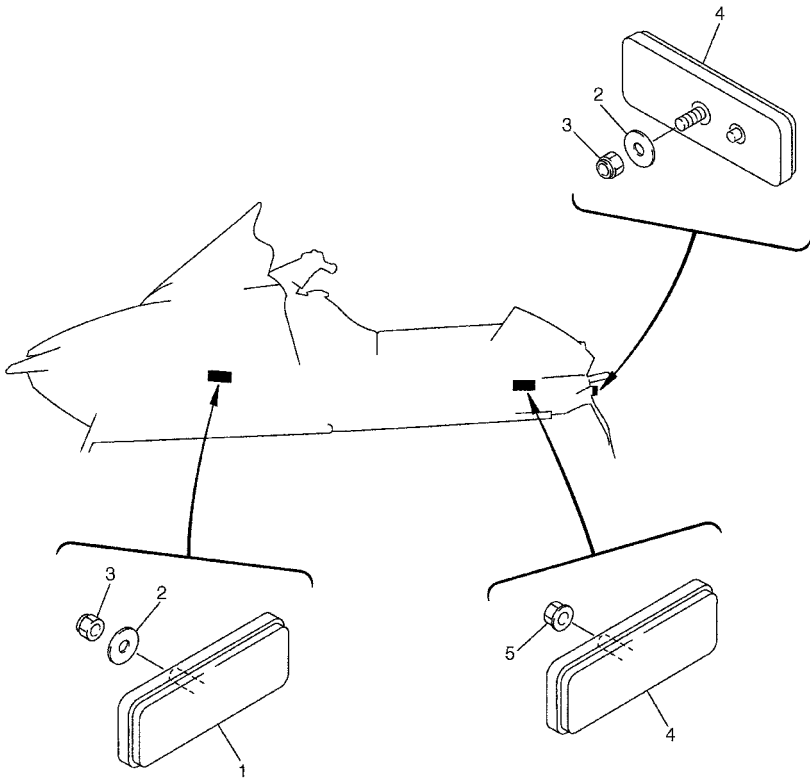


8EK3100-B390

FIG. 39 ELECTRICAL 1

REF. NO.	PART NO.	DESCRIPTION	8EK3	8EK4	8EN1	8EN2	REMARKS
27	8EN-82590-00	WIRE HARNESS ASSY			1	1	
28	97007-06010	BOLT	1	1	1	1	
29	8DM-8471G-00	WIRE, LEAD	1	1	1	1	
30	90464-12045	CLAMP	4	4	4	4	
31	90464-15195	CLAMP	9	9	9	9	
32	90464-13073	CLAMP	5	5	5	5	
33	90464-13077	CLAMP	3	3	3	3	
34	8CR-85720-01	OIL LEVEL GAUGE ASSY	1	1	1	1	
35	8EK-81965-00	CONDENSER, SMOOTHING	2	2	2	2	
36	8EK-81948-00	BRACKET	1	1	1	1	
37	90267-48169	RIVET, BLIND	2	2	2	2	
38	8DM-81950-00	RELAY ASSY	1	1	1	1	
39	5DM-81950-00	RELAY ASSY	1	1	1	1	
40	8DM-82510-00	MAIN SWITCH ASSY	1	1	1	1	
41	526-82579-00	.CAP, KEY	2	2	2	2	
42	8DM-87283-00	RESISTOR, VARIABLE	1	1	1	1	
43	8DM-87283-10	RESISTOR, VARIABLE	1	1	1	1	
44	8DM-87284-00	KNOB, VARIABLE RESISTOR	2	2	2	2	
45	8EK-83755-00	SENSOR, SPEED	1	1	1	1	
46	95707-08300	NUT, FLANGE	4	4	4	4	
47	8EK-47551-00	HOUSING, FRONT AXLE	1	1	1	1	
48	90464-30166	CLAMP	1	1	1	1	
49	90460-15126	CLAMP, HOSE	1	1	1	1	
50	90464-07005	CLAMP	1	1	1	1	

FIG. 40 ELECTRICAL 2



REF. NO.	PART NO.	DESCRIPTION	8EK3	8EK4	8EN1	8EN2	REMARKS
1	11H-85110-01	REFLECTOR ASSY	2	2	2	2	
2	90201-05036	WASHER, PLATE	3	3	2	2	
3	95707-05300	NUT, FLANGE	3	3	2	2	
4	3Y6-85130-02	REAR REFLECTOR ASSY	3	3	3	3	
5	95707-05500	NUT, FLANGE	2	2	3	3	

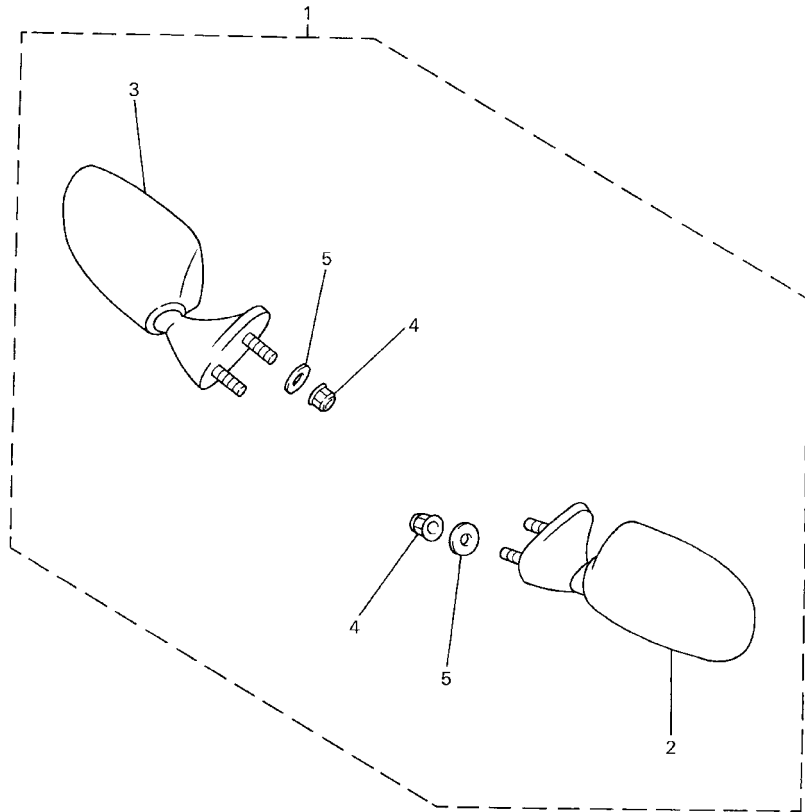


8EK1100-2390

G3

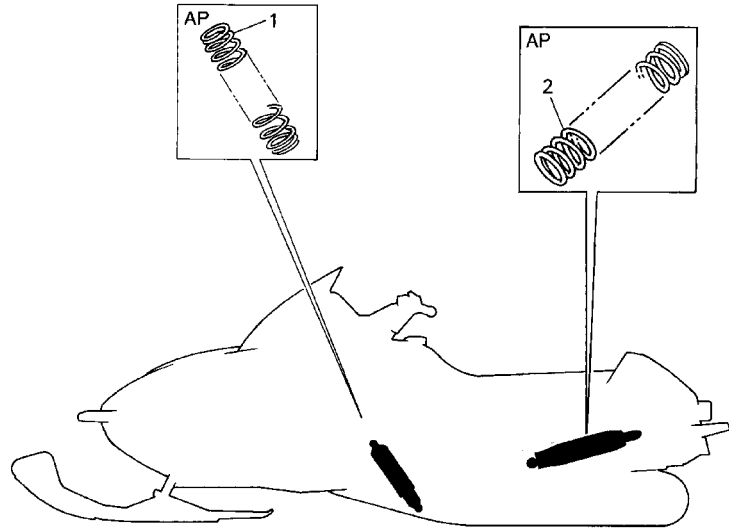
FIG. 41 ALTERNATE (BODY/RIG)

REF. NO.	PART NO.	DESCRIPTION	8EK3	8EK4	8EN1	8EN2	REMARKS
1	8CR-W2628-00	REAR VIEW MIRROR SET	1	1	1	1	AP
2	4SV-26280-00	.REAR VIEW MIRROR ASSY (LEFT)	1	1	1	1	
3	4SV-26290-00	.REAR VIEW MIRROR ASSY (RIGHT)	1	1	1	1	
4	95607-06200	.NUT, SELF U-FLANGE	4	4	4	4	
5	90201-06072	.WASHER, PLATE	4	4	4	4	



8CR100-7430

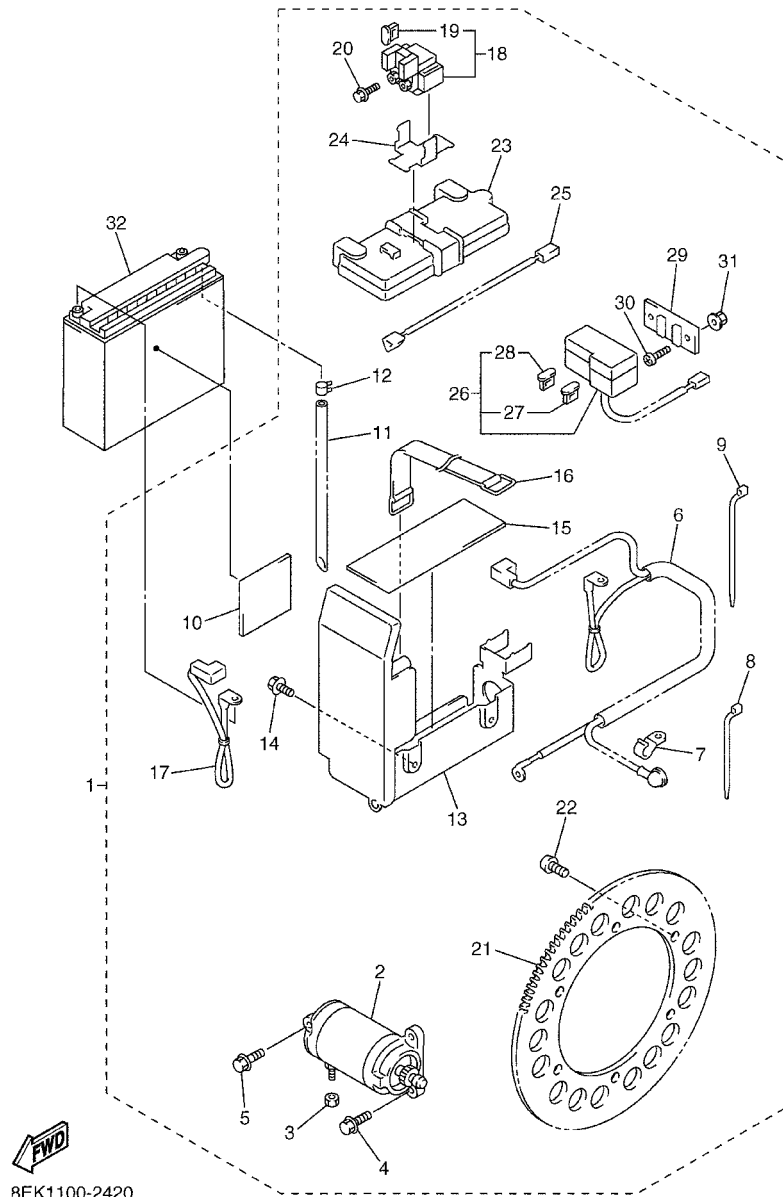
FIG. 42 ALTERNATE (REAR SUSPENSION)



REF. NO.	PART NO.	DESCRIPTION	8EK3	8EK4	8EN1	8EN2	REMARKS
1	8CX-47336-00	SPRING (K=1.8)	1	1	1	1	UR
	8CX-47336-10	SPRING (K=2.3)	1	1	1	1	UR
	8CX-47336-20	SPRING (K=2.8)	1	1	1	1	UR
	8CH-47336-40	SPRING (K=1.3-2.3)	1	1	1	1	UR
	8CH-47336-50	SPRING (K=1.7-2.7)	1	1	1	1	UR
	8CH-47336-60	SPRING (K=1.7-3.3)	1	1	1	1	UR
2	8DH-47489-00	SPRING1 (K=3.5-5.5)	1	1	1	1	UR
	8CX-47489-00	SPRING1 (K=3.0-5.0)	1	1	1	1	UR
	8CX-47489-10	SPRING1 (K=3.3-5.3)	1	1	1	1	UR

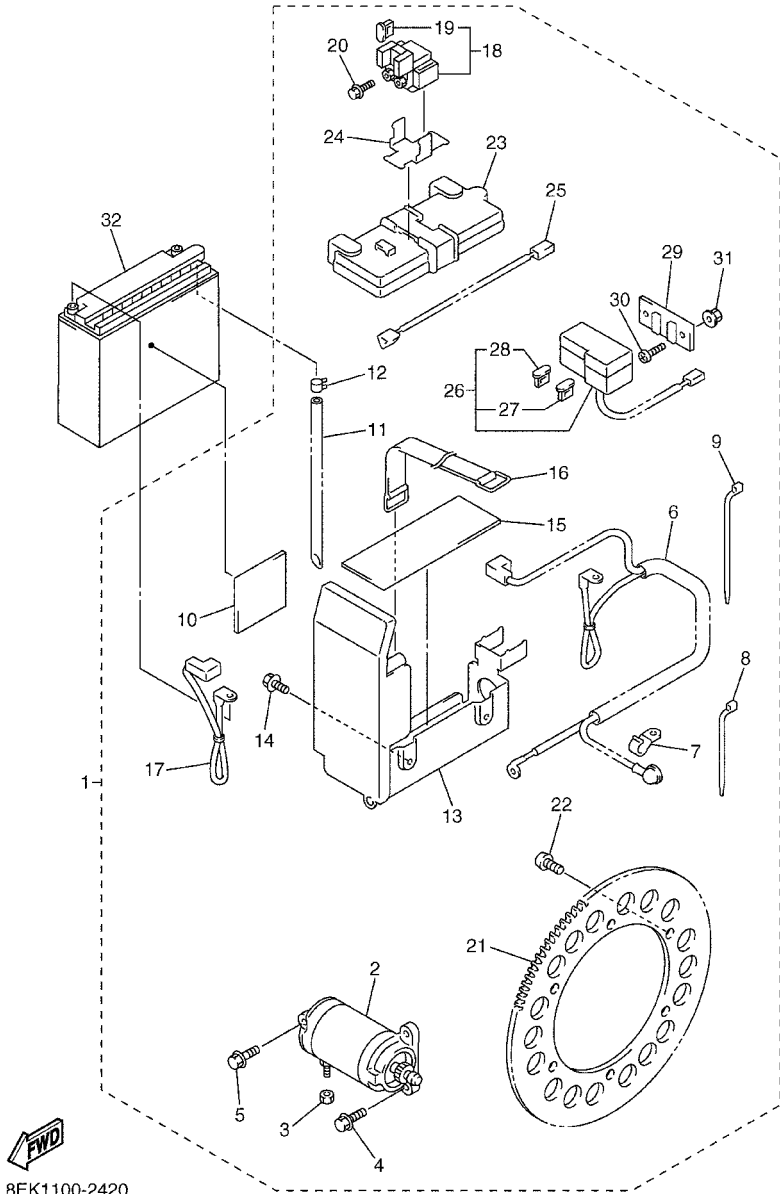
FWD
8DF100-8430

FIG. 43 ALTERNATE (ELECTRICAL)



8EK1100-2420

REF. NO.	PART NO.	DESCRIPTION	8EK3	8EK4	8EN1	8EN2	REMARKS
1	8EK-W8180-00	ELECTRIC STARTER KIT	1	1	1	1	AP
2	8CW-81800-01	.STARTING MOTOR ASSY	1	1	1	1	
3	95307-06600	.NUT	1	1	1	1	
4	95027-08030	.BOLT, FLANGE	2	2	2	2	
5	95027-08080	.BOLT, FLANGE	1	1	1	1	
6	8EK-82105-00	.WIRE HARNESS	1	1	1	1	
7	90462-08016	.CLAMP	1	1	1	1	
8	90464-13073	.CLAMP	4	4	4	4	
9	90464-15195	.CLAMP	5	5	5	5	
10	8CW-82176-00	.DAMPER	1	1	1	1	
11	8CW-8235W-01	.PIPE	1	1	1	1	
12	90467-08092	.CLIP	1	1	1	1	
13	8FB-8212X-00	.BATTERY BOX COMP.	1	1	1	1	
14	90109-06513	.BOLT	2	2	2	2	
15	8DM-82122-00	.SEAT, BATTERY	1	1	1	1	
16	8DM-82131-10	.BAND, BATTERY	1	1	1	1	
17	8DY-82115-00	.WIRE, PLUS LEAD	1	1	1	1	
18	4BH-81940-00	.STARTER RELAY ASSY	1	1	1	1	
19	1AE-82151-00	..FUSE (30A-BL)	2	2	2	2	
20	95027-06008	.BOLT, FLANGE	2	2	2	2	
21	8DM-1760A-18	.GEAR 1	1	1	1	1	
22	90150-08008	.SCREW, ROUND HEAD	6	6	6	6	
23	8DM-82129-00	.COVER, BATTERY	1	1	1	1	
24	8CY-81952-00	.HOLDER, RELAY	1	1	1	1	
25	8EK-82541-00	.WIRE, LEAD	1	1	1	1	
26	8EK-82170-00	.FUSE BOX ASSY	1	1	1	1	
27	5JJ-82151-30	..FUSE (10A-BL)	3	3	3	3	

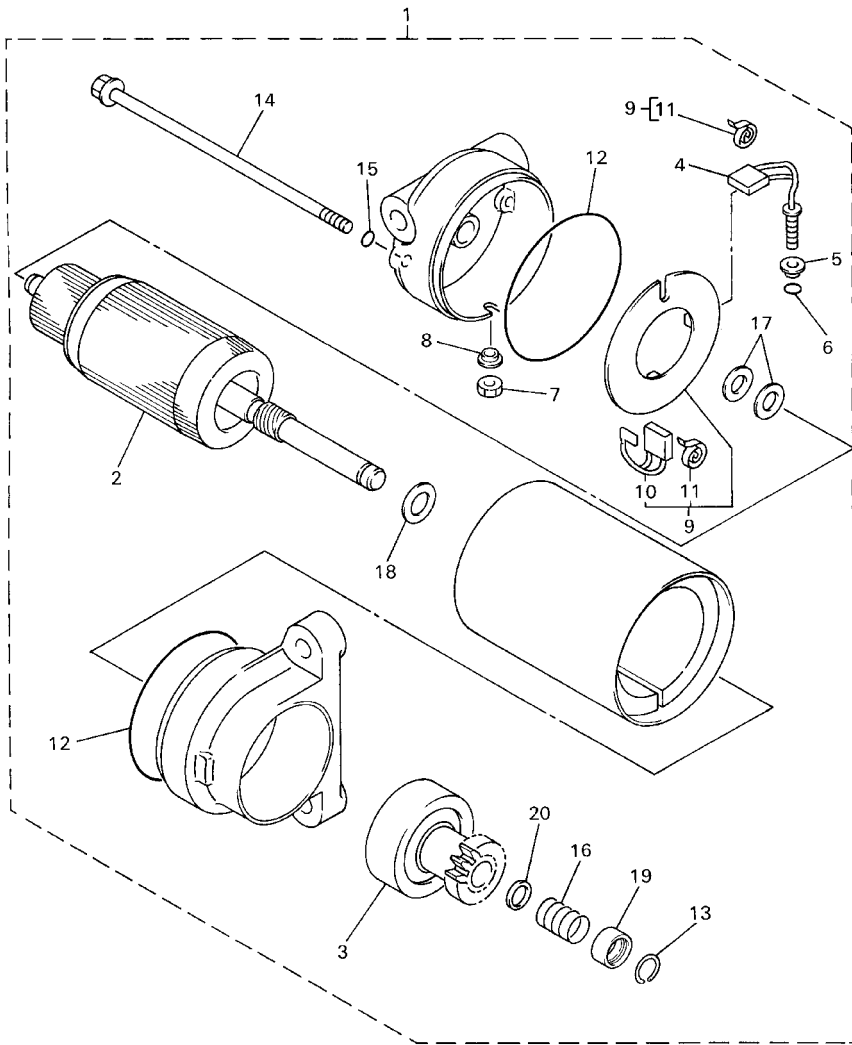


8EK1100-2420

FIG. 43 ALTERNATE (ELECTRICAL)

REF. NO.	PART NO.	DESCRIPTION	8EK3	8EK4	8EN1	8EN2	REMARKS
28	5JJ-82151-20	..FUSE (20A-BL)	2	2	2	2	
29	JT1-83614-00	.BRACKET	1	1	1	1	
30	98507-06014	.SCREW	2	2	2	2	
31	95707-06500	.NUT, FLANGE	2	2	2	2	
32	11K-82110-62	BATTERY ASSY (GM18Z-3A)	1	1	1	1	AP
	5K0-82110-N2	BATTERY ASSY (GM18Z-3A)		1		1	AP FOR JPN

FIG. 44 ALTERNATE (ELECTRICAL)



8CR100-7440

REF. NO.	PART NO.	DESCRIPTION	8EK3	8EK4	8EN1	8EN2	REMARKS
1	8CW-81800-01	STARTING MOTOR ASSY	1	1	1	1	AP
2	8CW-81850-00	.ARMATURE ASSY	1	1	1	1	
3	8CW-81832-00	.CLUTCH, OVER RUN	1	1	1	1	
4	8CW-81811-00	.BRUSH 1	1	1	1	1	
5	73A-81829-50	.GROMMET	1	1	1	1	
6	73A-81847-00	.O-RING	1	1	1	1	
7	4H7-81872-00	.NUT, SPECIAL	1	1	1	1	
8	73A-81829-00	.GROMMET	1	1	1	1	
9	8CW-81840-00	.BRUSH HOLDER ASSY	1	1	1	1	
10	8CW-81812-00	..BRUSH 2	1	1	1	1	
11	8L6-81813-50	..SPRING, BRUSH	2	2	2	2	
12	4H7-81844-50	.O-RING	2	2	2	2	
13	8L6-81834-50	.RING	1	1	1	1	
14	3GD-81826-00	.BOLT, THROUGH	2	2	2	2	
15	8L6-81847-50	.O-RING	2	2	2	2	
16	8CW-81836-00	.SPRING, LEVER	1	1	1	1	
17	4H7-81843-50	.WASHER 1	2	2	2	2	
18	8L6-81835-50	.WASHER 2	1	1	1	1	
19	8CW-81833-00	.RING, STOP	1	1	1	1	
20	8BB-8185A-00	.WASHER, PLATE	1	1	1	1	

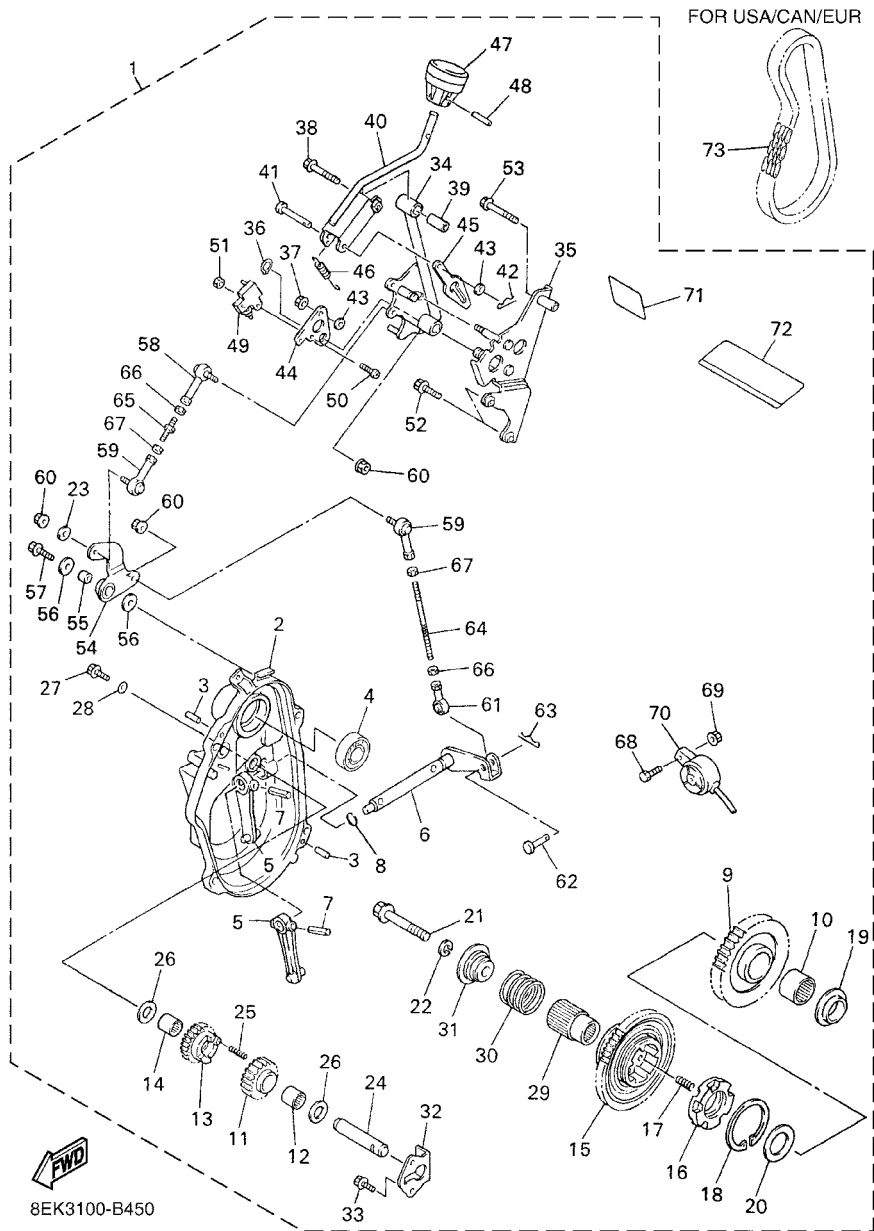


FIG. 45 ALTERNATE (DRIVE)

REF. NO.	PART NO.	DESCRIPTION	8EK3	8EK4	8EN1	8EN2	REMARKS
1	8EK-W4759-00	REVERSE GEAR KIT	1	1			AP
	8EN-W4759-00	REVERSE GEAR KIT			1	1	AP
2	8CW-47543-02	.CAP, HOUSING	1	1	1	1	
3	93606-20044	.PIN, DOWEL	2	2	2	2	
4	93306-20468	.BEARING	1	1	1	1	
5	8CW-18511-00	.FORK, SHIFT 1	2	2	2	2	
6	8CW-18197-00	.SHAFT	1	1	1	1	
7	91609-50022	.PIN, SPRING	2	2	2	2	
8	93210-12131	.O-RING	1	1	1	1	
9	8FB-47587-80	.SPROCKET, CHAIN DRIVEN (38T)	1	1			
	8FB-47587-90	.SPROCKET, CHAIN DRIVEN (39T)			1	1	
10	93317-33179	.BEARING	1	1	1	1	
11	8FB-17692-00	.SPROCKET, DRIVE	1	1	1	1	
12	93317-21578	.BEARING	1	1	1	1	
13	8CW-17143-00	.GEAR, REVERSE PINION 1	1	1	1	1	
14	93317-21578	.BEARING	1	1	1	1	
15	8CW-17243-00	.GEAR, REVERSE WHEEL 1	1	1	1	1	
16	8CW-17492-00	.DOG, TRANSMISSION SHIFT	1	1	1	1	
17	90501-066J5	.SPRING, COMPRESSION	5	5	5	5	
18	93440-39175	.CIRCLIP	1	1	1	1	
19	90387-2008G	.COLLAR	1	1	1	1	
20	90201-320S3	.WASHER, PLATE	1	1	1	1	
21	90105-100A7	.BOLT, FLANGE	1	1	1	1	
22	92907-10100	.WASHER, SPRING	1	1	1	1	
23	90201-06778	.WASHER, PLATE	1	1	1	1	
24	8CW-1761A-00	.SHAFT, 1	1	1	1	1	
25	90501-06022	.SPRING, COMPRESSION	1	1	1	1	

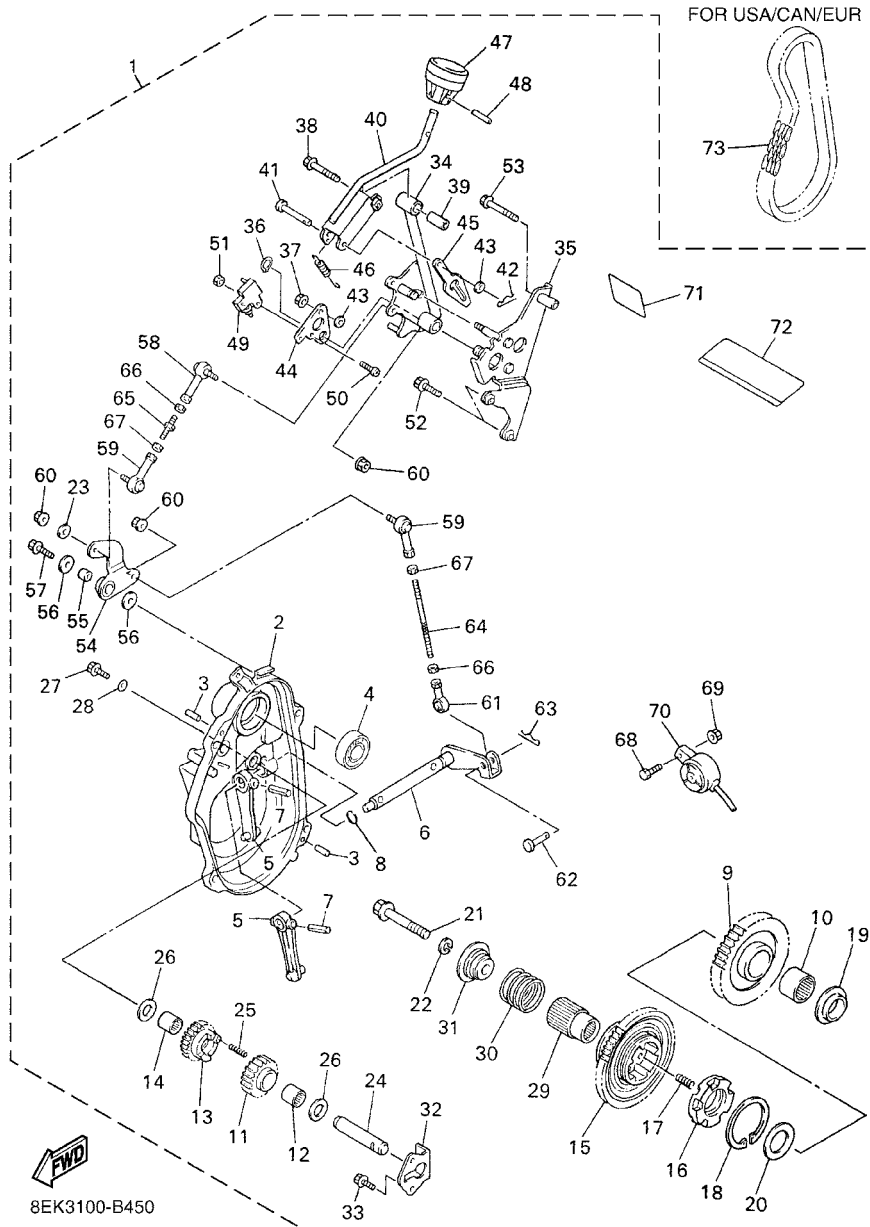


FIG. 45 ALTERNATE (DRIVE)

REF. NO.	PART NO.	DESCRIPTION	8EK3	8EK4	8EN1	8EN2	REMARKS
26	90201-16245	.WASHER, PLATE	2	2	2	2	
27	90105-060A6	.BOLT, FLANGE	1	1	1	1	
28	90210-06006	.WASHER, SEAL	1	1	1	1	
29	8CW-47571-00	.JOURNAL 1	1	1	1	1	
30	90501-326J6	.SPRING, COMPRESSION	1	1	1	1	
31	8CW-47564-00	.COLLAR	1	1	1	1	
32	8CW-47591-00	.PLATE	1	1	1	1	
33	90105-060A6	.BOLT, FLANGE	2	2	2	2	
34	8CW-18112-01	.ARM, SHIFT	1	1	1	1	
35	8CW-18161-01	.GUIDE, PLATE STOPPER	1	1	1	1	
36	99009-12400	.CIRCLIP	1	1	1	1	
37	95607-06200	.NUT, SELF U-FLANGE	1	1	1	1	
38	95817-06035	.BOLT, FLANGE	1	1	1	1	
39	90387-06605	.COLLAR	1	1	1	1	
40	8CW-18152-01	.LEVER, SHIFT 4	1	1	1	1	
41	91701-06035	.PIN, CLEVIS	1	1	1	1	
42	90468-10050	.CLIP	1	1	1	1	
43	92907-06200	.WASHER	2	2	2	2	
44	8CW-1811A-00	.PLATE, SHIFT ARM	1	1	1	1	
45	8CW-18153-00	.GUIDE, SHIFT RETURN SPRING	1	1	1	1	
46	90506-14343	.SPRING, TENSION	1	1	1	1	
47	8CL-18174-00	.KNOB, SHIFT LEVER	1	1	1	1	
48	91609-40022	.PIN, SPRING	1	1	1	1	
49	J51-82817-00	.SWITCH	1	1	1	1	
50	98907-04016	.SCREW, BIND	1	1	1	1	
51	95607-04100	.NUT, U	1	1	1	1	
52	95827-06025	.BOLT, FLANGE	2	2	2	2	

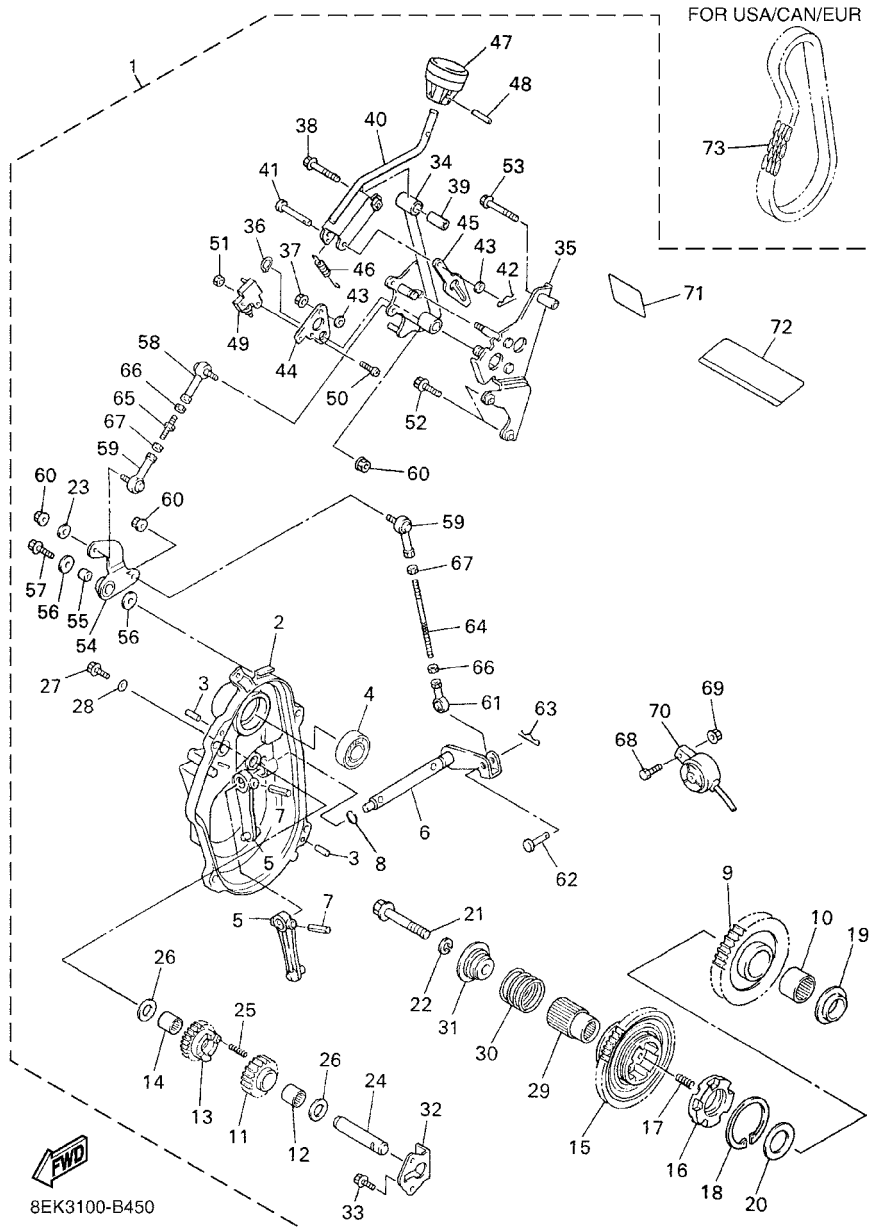
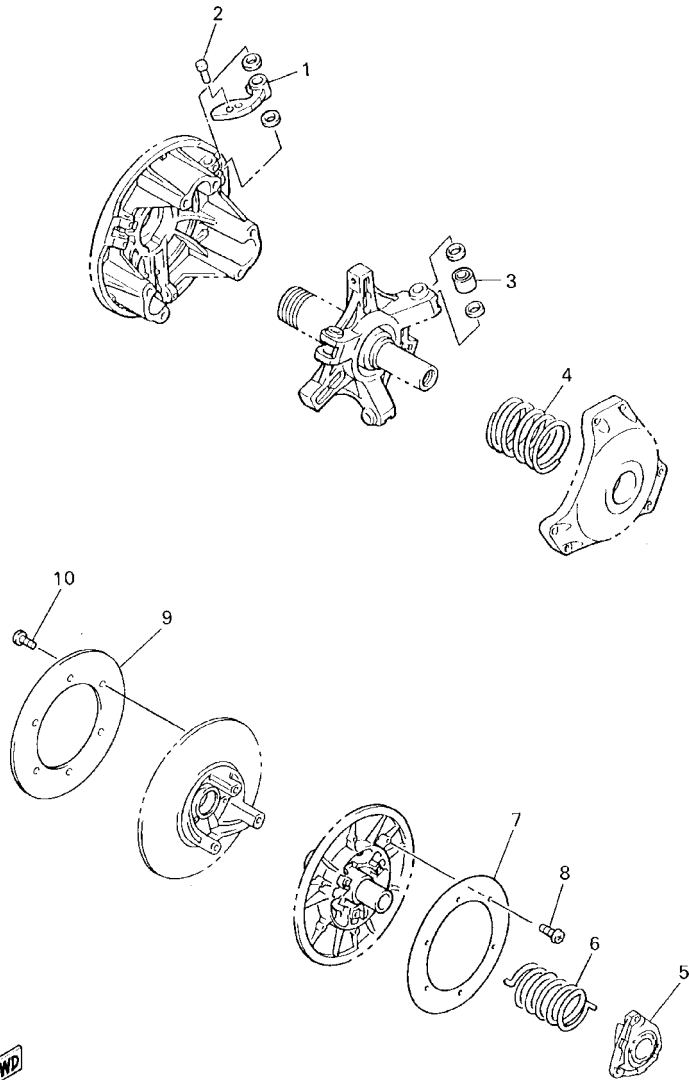


FIG. 45 ALTERNATE (DRIVE)

REF. NO.	PART NO.	DESCRIPTION	8EK3	8EK4	8EN1	8EN2	REMARKS
53	95827-06040	.BOLT, FLANGE	1	1	1	1	
54	8CW-18198-00	.LEVER	1	1	1	1	
55	90387-0608T	.COLLAR	1	1	1	1	
56	90201-06071	.WASHER, PLATE	2	2	2	2	
57	95817-06025	.BOLT, FLANGE	1	1	1	1	
58	J45-23845-00	.JOINT, UNIVERSAL 2	1	1	1	1	
59	88T-18157-00	.JOINT 2	2	2	2	2	
60	95607-06200	.NUT, SELF U-FLANGE	3	3	3	3	
61	8CW-18156-00	.JOINT 1	1	1	1	1	
62	91701-06022	.PIN, CLEVIS	1	1	1	1	
63	90468-12007	.CLIP	1	1	1	1	
64	88T-18116-01	.JOINT, ROD 1	1	1	1	1	
65	26H-18115-00	.ROD, SHIFT	1	1	1	1	
66	95304-06600	.NUT	2	2	2	2	
67	90170-06289	.NUT	2	2	2	2	
68	97007-05020	.BOLT	1	1	1	1	
69	95707-05500	.NUT, FLANGE	1	1	1	1	
70	8CW-83383-00	.BUZZER	1	1	1	1	
71	8DM-77763-E0	.LABEL, WARNING 3	1	1	1	1	
72	8FB-77761-E0	.LABEL, WARNING 1	1	1	1	1	
73	94890-09068	CHAIN (68L)			1	1	FOR USA/CAN/EUR

FIG. 46 ALTERNATE (DRIVE SETTING 1)

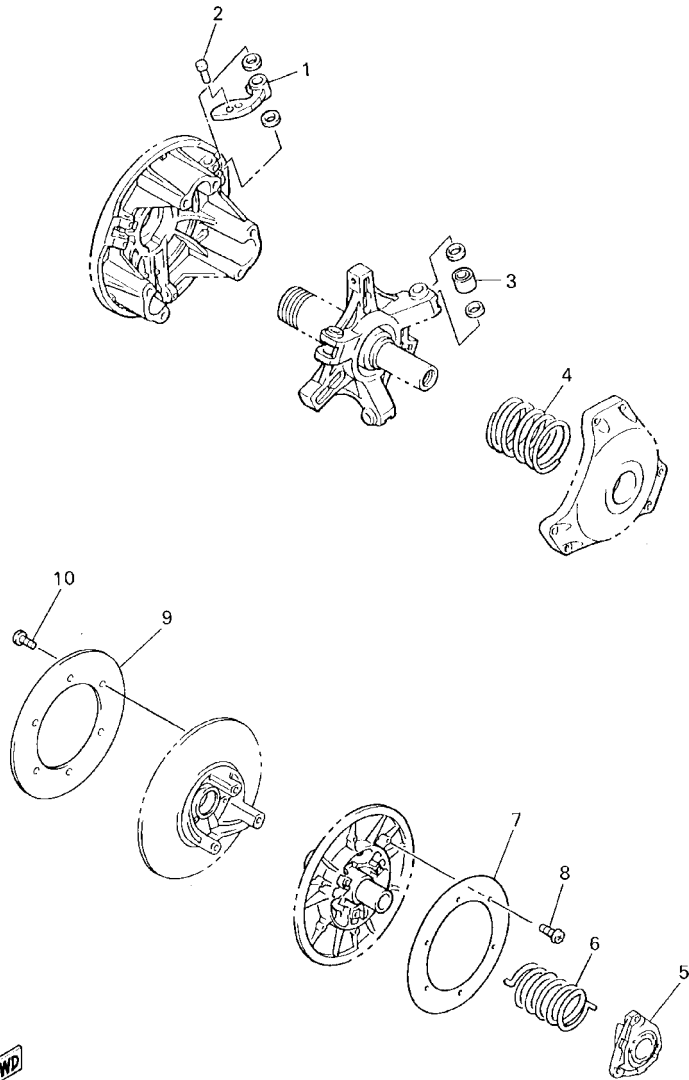
REF. NO.	PART NO.	DESCRIPTION	8EK3	8EK4	8EN1	8EN2	REMARKS	
1	8CR-17605-10	WEIGHT COMP	3	3	3	3	UR	
	8CH-17605-10	WEIGHT COMP	3	3	3	3	UR	
	8DJ-17605-00	WEIGHT COMP	3	3	3	3	UR	
	8DG-17605-00	WEIGHT COMP	3	3	3	3	UR	
	8DN-17605-20	WEIGHT COMP	3	3	3	3	UR	
-----			3	3	3	3	UR	
2	90261-06015	RIVET, COUNTERSUNK (ST10.3MM)	3	3	3	3	UR	
	90261-06017	RIVET, COUNTERSUNK (ST11.3MM)	3	3	3	3	UR	
	90261-06019	RIVET, COUNTERSUNK (ST13.3MM)	3	3	3	3	UR	
	90261-06028	RIVET, COUNTERSUNK (AL10.3MM)	3	3	3	3	UR	
	90261-06033	RIVET, COUNTERSUNK (ST17.2MM)	3	3	3	3	UR	
-----			3	3	3	3	UR	
3	8CR-17624-00	ROLLER, COMP	3	3	3	3	UR	
	8CR-17624-10	ROLLER, COMP	3	3	3	3	UR	
	8CR-17624-20	ROLLER, COMP	3	3	3	3	UR	
	-----			3	3	3	3	UR
	8CR-17624-30	ROLLER, COMP	3	3	3	3	UR	
4	90501-551L3	SPRING, COMPRESSION	1	1	1	1	UR (BL-P-BL)	
	90501-583L5	SPRING, COMPRESSION	1	1	1	1	UR (WH-P-WH)	
	90501-581L5	SPRING, COMPRESSION	1	1	1	1	UR (Y-P-Y)	
	90501-581L6	SPRING, COMPRESSION	1	1	1	1	UR (GR-P-GR)	
	-----			1	1	1	1	UR (P-P-P)
	90501-601L8	SPRING, COMPRESSION	1	1	1	1	UR (OR-P-OR)	
	90501-551L9	SPRING, COMPRESSION	1	1	1	1	UR (BL-SL-BL)	
	90501-583L4	SPRING, COMPRESSION	1	1	1	1	UR (WH-SL-WH)	
	90501-582L1	SPRING, COMPRESSION	1	1	1	1	UR (Y-SL-Y)	
	-----			1	1	1	1	UR (GR-SL-GR)
90501-602L3	SPRING, COMPRESSION	1	1	1	1	UR (P-SL-P)		



 8CR3100-9470

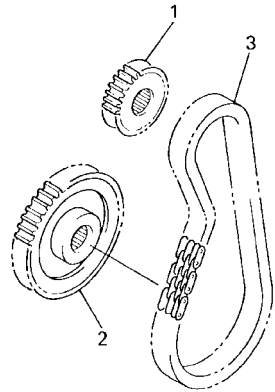
FIG. 46 ALTERNATE (DRIVE SETTING 1)

REF. NO.	PART NO.	DESCRIPTION	8EK3	8EK4	8EN1	8EN2	REMARKS
4	90501-624L8	SPRING, COMPRESSION	1	1	1	1	UR (OR-SL-OR)
	90501-552L5	SPRING, COMPRESSION	1	1	1	1	UR (BL-GR-BL)
	90501-582L6	SPRING, COMPRESSION	1	1	1	1	UR (WH-GR-WH)
	90501-582L7	SPRING, COMPRESSION	1	1	1	1	UR (Y-GR-Y)
	90501-602L8	SPRING, COMPRESSION	1	1	1	1	UR (GR-GR-GR)
	90501-602L9	SPRING, COMPRESSION	1	1	1	1	UR (P-GR-P)
	90501-583L0	SPRING, COMPRESSION	1	1	1	1	UR (BL-WH-BL)
	90501-583L1	SPRING, COMPRESSION	1	1	1	1	UR (WH-WH-WH)
	90501-603L2	SPRING, COMPRESSION	1	1	1	1	UR (Y-WH-Y)
	90501-603L3	SPRING, COMPRESSION	1	1	1	1	UR (GR-WH-GR)
5	8BV-17604-11	SEAT SPRING SET	1	1	1	1	UR
	8BV-17604-31	SEAT SPRING SET	1	1	1	1	UR
	8BV-17604-51	SEAT SPRING SET	1	1	1	1	UR
	8BV-17604-71	SEAT SPRING SET	1	1	1	1	UR
	8BV-17604-91	SEAT SPRING SET	1	1	1	1	UR
6	90508-536A9	SPRING, TORSION	1	1	1	1	UR (RED)
	90508-556A2	SPRING, TORSION	1	1	1	1	UR (GREEN)
	90508-556A7	SPRING, TORSION	1	1	1	1	UR (SILVER)
	90508-500B1	SPRING, TORSION	1	1	1	1	UR (BROWN)
7	8CM-17665-00	PLATE 1	1	1	1	1	UR
8	90150-05040	SCREW, ROUND HEAD	6	6	6	6	UR
9	8CM-17675-00	PLATE 2	1	1	1	1	UR
10	90150-05040	SCREW, ROUND HEAD	6	6	6	6	UR



8CR3100-9470

FIG. 47 ALTERNATE (DRIVE SETTING 2)

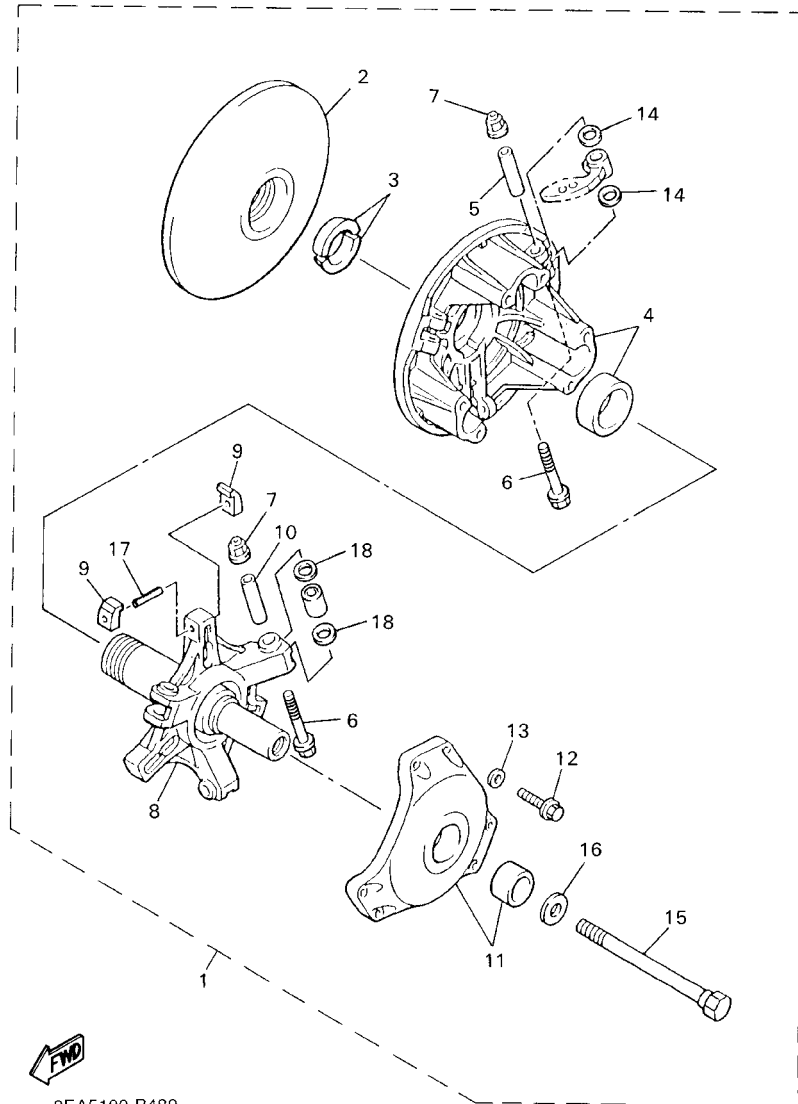


REF. NO.	PART NO.	DESCRIPTION	8EK3	8EK4	8EN1	8EN2	REMARKS
1	8DW-17682-00	SPROCKET, CHAIN DRIVE (20T)	1	1	1	1	UR
	8DW-17682-10	SPROCKET, CHAIN DRIVE (21T)	1	1	1	1	UR
	8DW-17682-20	SPROCKET, CHAIN DRIVE (22T)	1	1	1	1	UR
	8DW-17682-30	SPROCKET, CHAIN DRIVE (23T)	1	1	1	1	UR
	8DW-17682-80	SPROCKET, CHAIN DRIVE (18T)	1		1		UR
2	8DW-17682-90	SPROCKET, CHAIN DRIVE (19T)	1		1		UR
	8DW-47587-70	SPROCKET, CHAIN DRIVEN (37T)	1	1	1	1	UR
	8DW-47587-80	SPROCKET, CHAIN DRIVEN (38T)	1	1	1	1	UR
	8DW-47587-90	SPROCKET, CHAIN DRIVEN (39T)	1		1		UR
	8DW-47587-00	SPROCKET, CHAIN DRIVEN (40T)	1		1		UR
3	94890-09068	CHAIN (68L)	1	1	1	1	UR
	94890-09070	CHAIN (70L)	1	1	1	1	UR



8CR3100-9480

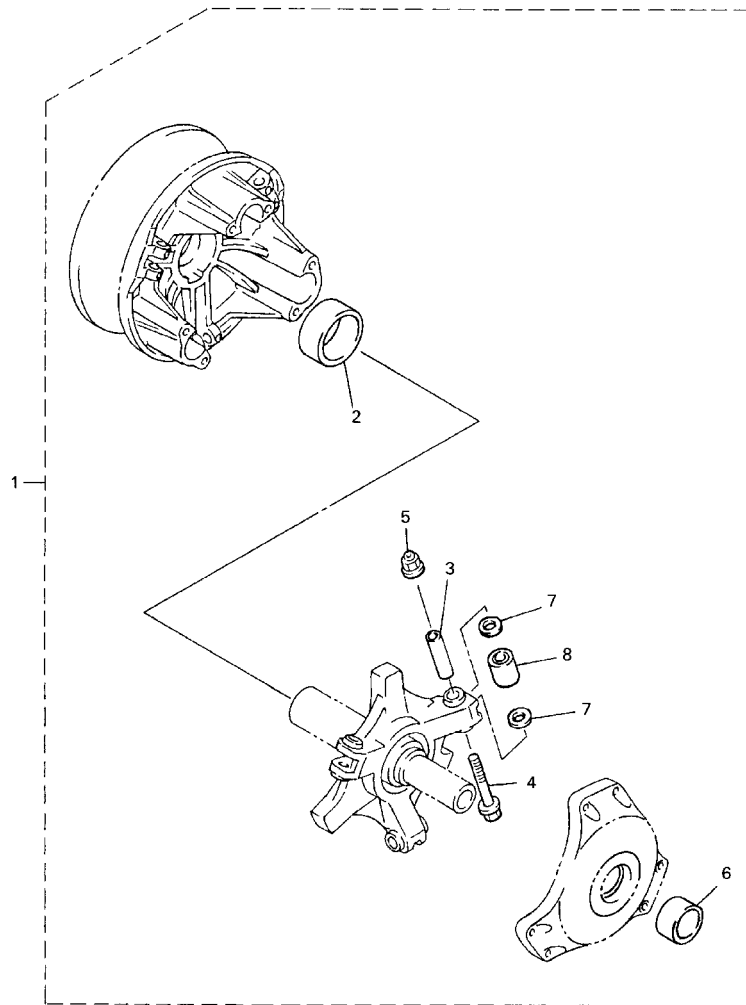
FIG. 48 ALTERNATE (DRIVE)



8EA5100-B480

REF. NO.	PART NO.	DESCRIPTION	8EK3	8EK4	8EN1	8EN2	REMARKS
1	8DS-W176G-00	CLUTCH REPAIR KIT	1	1	1	1	AP
2	8CR-17611-01	.SHEAVE, PRIMARY FIXED	1	1	1	1	
3	8V0-17639-00	.STOPPER	2	2	2	2	
4	8BV-17620-11	.PRIMARY SLIDING SHEAVE COMP.	1	1	1	1	
5	90387-0514T	.COLLAR	3	3	3	3	
6	90105-05644	.BOLT, FLANGE	6	6	6	6	
7	95607-05200	.NUT, U FLANGE	6	6	6	6	
8	8CA-17640-12	.SPIDER COMPLETE	1	1	1	1	
9	8BW-17653-00	.SLIDER	6	6	6	6	
10	90387-0514U	.COLLAR	3	3	3	3	
11	8DF-17630-00	.PRIMARY SHEAVE CAP COMP.	1	1	1	1	
12	97017-06030	.BOLT	6	6	6	6	
13	92907-06600	.WASHER, PLATE	6	6	6	6	
14	90202-08204	.WASHER, PLATE	6	6	6	6	
15	8V0-17647-00	.BOLT (L=156.5MM)	1	1	1	1	
16	92907-16100	.WASHER	1	1	1	1	
17	91609-50032	.PIN, SPRING	3	3	3	3	
18	90202-09227	.WASHER, PLATE	6	6	6	6	

FIG. 49 ALTERNATE (DRIVE)



8DJ3100-1490

REF. NO.	PART NO.	DESCRIPTION	8EK3	8EK4	8EN1	8EN2	REMARKS
1	8CS-00000-51	CLUTCH TUNE-UP KIT	1	1			AP
	8CR-00000-51	CLUTCH TUNE-UP KIT			1	1	AP
2	90384-41242	.BUSH, BIMETAL FORMED	1	1	1	1	
3	90387-0514U	.COLLAR	3	3	3	3	
4	90105-05644	.BOLT, FLANGE	3	3	3	3	
5	95607-05200	.NUT, U FLANGE	3	3	3	3	
6	90380-28237	.BUSH, SOLID	1	1	1	1	
7	90202-09227	.WASHER, PLATE	6	6	6	6	
8	8CR-17624-00	.ROLLER, COMP	3	3			
	8CR-17624-20	.ROLLER, COMP			3	3	

NUMERICAL INDEX

PART NO.	GRID NO.	PART NO.	GRID NO.	PART NO.	GRID NO.	PART NO.	GRID NO.	PART NO.	GRID NO.	PART NO.	GRID NO.
8EK-F3711-00	D-6	8EK-11351-00	B-2	8EN-12484-00	B-7	8F2-14147-00	B-15	89A-14276-00	B-15	8DF-15715-00	C-6
8EN-F3711-00	D-6	8DF-11354-02	B-3	8DF-12485-00	B-8	89A-14147-00	B-15	89A-14286-00	B-15	8DF-15716-00	C-6
8EK-F3712-00	D-6	8DF-11397-10	B-3	8EK-1249B-00	B-7	1LX-14153-00	B-14	89A-14292-00	B-13	8DF-15723-00	C-6
8FB-F3712-00	D-6	8EK-11400-00	B-4	26H-12584-00	B-2	3MA-14159-00	B-13	8DF-14294-00	B-12	8DF-15735-00	C-6
8EK-F3731-00	D-6	8EK-11412-00	B-4	3FV-12584-00	B-7	8EK-1417E-10	F-7	8CH-14348-00	C-2	8EK-15741-00	C-6
8EN-F3731-00	D-6	8DN-11415-00	B-4	8EK-12661-00	B-7	8EK-14171-00	B-15	8EK-14348-00	C-2	8CH-15751-00	C-6
8EK-F3751-00	D-6	8DF-1142A-01	B-4	8DN-13100-00	B-9	239-14172-10	B-15	8EK-14349-00	C-2	8DF-15753-00	C-6
8EK-F3766-00	D-6	8EK-11422-00	B-4	8CH-1316A-00	B-9	302-14173-00	B-15	8EK-14425-00	B-11	8F3-15755-00	C-6
8EK-K7210-00	F-5	8EK-11432-00	B-4	8DF-13185-00	B-9	1FN-14174-00	B-15	8EK-14431-00	B-11	8DF-15758-10	C-6
8FB-K7210-00	F-5	8DF-11434-00	B-4	8DF-13187-00	B-9	8EK-14185-00	B-14	8EK-14441-00	B-11	8F3-15758-00	C-6
8EK-K7213-00	F-5	8DF-11436-00	B-4	353-13552-01	C-5	537-14186-00	B-14	8EK-14451-00	B-11	8CH-15767-00	C-6
8FB-K7213-00	F-5	8EK-11442-00	B-4	8CH-13552-00	C-5	89A-14188-00	B-13	8CH-14452-00	B-11	8DF-15768-00	C-6
8CR-K7595-00	F-8	8DF-11515-00	B-4	8DF-13552-00	C-5	1AE-14190-13	B-14	8DF-14453-01	B-11	8R4-15780-00	F-7
8ED-K7595-00	F-8	8DN-11603-00	B-4	8EK-13555-00	B-11	12R-14191-00	B-15	8EK-14454-00	B-11	8CW-17143-00	G-9
8CR-W0041-00	D-15	8EK-11631-00-A0	B-4	8DF-13573-00	B-9	89A-14194-00	B-14	8EK-14458-00	B-11	8CW-17243-00	G-9
8DF-W0046-00	D-15	8J0-11633-00	B-4	8DF-13610-00	B-11	8F2-14197-00	C-2	8EK-14477-00	B-11	8CW-17492-00	G-9
8CR-W0047-00	D-15	8DF-11651-00	B-4	2KM-13613-00	B-11	620-14198-00	B-13	2LN-14565-00	B-14	8DM-1760A-18	G-6
8CR-W0048-00	D-15	8CH-11685-00	B-4	8DF-13616-00	B-11	89A-14198-00	C-2	89A-14565-00	B-13	8BV-17604-11	G-13
8CR-W0057-00	D-15	8EK-1240E-00	B-8	8DF-13621-00	B-11	89A-14199-00	B-13	89A-14588-00	C-2	8BV-17604-31	G-13
8DS-W176G-00	G-15	8EN-1240E-00	B-8	8DF-13625-00	B-11	89A-14208-00	C-2	8CH-14589-00	C-2	8BV-17604-51	C-9
8EK-W2195-00	C-13	8EK-1240F-00	B-7	8EK-14100-00	B-13	8CC-14216-00	B-13	89A-14594-00	B-15		G-13
8EN-W2195-00	D-2	8EN-1240F-00	B-7	8EK-14101-00	B-13	8CC-14216-10	C-3	8EK-14610-00	C-4	8BV-17604-71	C-9
3GM-W2585-21	D-15	8EK-1241A-00	B-7	8EK-14102-00	B-13	89A-14216-00	B-15	8EK-14613-00	C-4		G-13
8CR-W2585-00	D-15	8EN-1241A-00	B-7	8EK-14103-00	B-13	3H1-14227-00	C-2	8EK-14620-00	C-4	8BV-17604-91	G-13
8DF-W2587-40	D-15	8EK-12410-00	B-7	8EK-14112-15	B-13	8AB-14227-00	B-13	8EK-14640-00	C-4	8CH-17605-10	G-12
8EK-W2587-30	D-15	8EK-12412-00	B-7	22F-14115-00	C-2	3G2-1423A-80	B-14	8CA-14714-00	C-4	8CR-17605-10	G-12
8CR-W2628-00	G-4	8EK-12413-00	B-7	500-14115-00	B-14	3G2-1423A-81	B-14	8EK-14714-00	C-4	8DG-17605-00	G-12
8EK-W4759-00	G-9	8EK-12417-00	B-7	1T1-14116-A4	B-14	3G2-1423A-82	B-14	8DJ-14728-00	C-14	8DJ-17605-00	G-12
8EN-W4759-00	G-9	8CH-12422-01	B-6	22F-14117-00	B-15	3G2-1423E-55	B-14		D-4	8DN-17605-10	C-7
8EK-W7725-00	F-5	8EK-1243E-00	B-7		C-2	3G2-1423E-56	B-14	8EK-14728-00	C-4	8DN-17605-20	G-12
8EK-W7725-10	F-5	8DF-1243F-00	B-7	89A-14118-00	C-2	3G2-1423E-57	B-14	8EK-14738-00	C-4	8EK-17605-00	C-7
8EK-W7726-10	F-2	11H-12438-00	B-6	8CC-14122-00	B-15	3G2-1423E-58	B-14	89A-14905-00	B-15		G-12
8EK-W8180-00	G-6	8CH-12439-00	B-6	3GF-14126-00	B-13	3G2-1423E-59	B-14	3MA-14918-00	B-13	8CW-1761A-00	G-9
8CR-00000-51	H-2	8EK-12440-10	C-13	2J2-14133-00	B-15	3G2-1423E-60	B-14	3MA-14937-00	B-13	8CR-17611-01	C-7
8CS-00000-51	H-2		D-2	5K7-14134-00	B-13	3G2-1423E-61	B-14	1UF-14952-00	B-15		G-15
8EK-1111K-00	B-2	8EK-12440-20	C-13	1AE-14135-00	C-2	3G2-1423E-62	B-14	3FV-14962-00	C-2	8BV-17620-11	C-7
8EK-11111-01	B-2	8CH-12451-02	B-6	1AW-14135-00	B-15	3G2-1423E-63	B-14	3H1-14962-00	B-13		G-15
J38-11116-00	C-5	8DF-12459-00	B-6	89A-14137-00	B-13	3G2-14231-28	B-14	8CH-14978-00	C-2	8CR-17624-00	C-7
8EK-11181-00	B-2	22W-12462-00	B-7	35H-14139-00	C-2	3G2-14231-29	B-14	8CH-14987-10	C-2		G-12
8EK-1131A-00	B-2	8EK-12476-00	B-8	89A-14141-48	B-14	3G2-14231-30	B-14	11H-14991-00	C-2		H-2
8EK-1131E-00	B-2	8EK-12477-00	B-8	3H1-14142-45	B-13	3G2-14231-31	B-14	1J7-14994-00	B-15	8CR-17624-10	G-12
8DF-1131F-01	B-3	8DF-12478-00	B-2	3H1-14142-47	B-13	3G2-14231-32	B-14	8CH-14995-00	B-15	8CR-17624-20	C-7
8DF-1131U-01	B-3	8EK-1248A-00	B-3	3H1-14142-50	B-13	89A-14243-00	B-13	89A-14996-00	B-13		G-12
8EK-11311-00	B-2	8EK-1248E-00	B-7	3H1-14142-52	B-13	4N0-14251-00	C-3	8DF-15100-10	C-5		H-2
8DF-11317-01	B-3	8EK-12481-00	B-7	3H1-14142-55	B-13	8EK-14251-00	B-15	8EK-15710-00	C-6	8CR-17624-30	G-12
8EK-1133E-00	B-3	8EK-12482-00	B-7	1AE-14147-00	B-15		C-3	8EK-15711-00	C-6	8DF-17630-00	C-7
8EK-1133F-00	B-3	8EK-12483-00	B-7	3H1-14147-00	B-13	89A-14264-00	C-2	8DF-15713-00	C-6		G-15
8EK-1133G-00	B-3	8DF-12484-01	B-7	558-14147-00	B-14	89A-14265-00	B-15	8DF-15714-00	C-6	8V0-17639-00	C-7

NUMERICAL INDEX

PART NO.	GRID NO.	PART NO.	GRID NO.	PART NO.	GRID NO.	PART NO.	GRID NO.	PART NO.	GRID NO.	PART NO.	GRID NO.
8V0-17639-00	G - 15	8EK-21426-00	C - 11	8EK-21959-00	C - 14	8EK-2376A-50	D - 7	8CR-2386H-00	D - 9	4SV-26290-00	G - 4
8CA-17640-12	C - 7	8CR-21427-10	C - 11	8EN-2376A-00	D - 3	8EN-2376A-00	D - 7	8EN-2386H-00	D - 9	8EK-26311-00	E - 4
	G - 15	8DF-2145B-10	C - 11	8EK-2196A-01	C - 14	8EN-2376A-10	D - 7	8DF-23867-00	D - 12	8EN-26311-00	E - 4
8DN-17641-00	C - 8	8CH-21486-10	C - 11		D - 3	8EN-2376A-20	D - 7	8EK-23870-00	D - 12	8EK-26320-00	B - 9
8V0-17647-00	C - 8	8EK-21751-00	C - 12	8EK-2196E-01	C - 14	8CR-2376B-00	D - 7	8CJ-23872-00	D - 10	8EN-26320-00	B - 9
	G - 15	8EK-21771-00	C - 12	8EN-2196E-00	D - 3	8CH-23760-40	D - 7	8CR-23872-00	D - 10	8U9-26325-00	E - 4
8BW-17653-00	C - 7	8EK-21772-00	C - 12	8CR-2196F-00	C - 13	8CH-23760-50	D - 7	8CR-23881-00	D - 12	8CR-26329-00	E - 4
	G - 15	8EK-2191A-00	C - 13		D - 2	8CH-23760-60	D - 7	8EK-23882-00	D - 12	8CH-26330-02	E - 4
8BV-17656-00	C - 9		D - 2	8EK-21960-09	C - 13	8CX-23760-00	D - 7	1UY-23894-01	D - 10	8G8-26333-00	E - 4
8CR-17660-10	C - 9	8ED-2191H-E0	F - 4		D - 2	8CX-23760-10	D - 7	8EK-24111-00	D - 13	8ED-26351-00	E - 2
8CR-17660-20	C - 9	8ED-2191H-J0	F - 4	8EK-21970-09	C - 13	8EK-23766-00	D - 6	8DF-2412G-00	D - 11	8EN-26351-00	E - 2
8CM-17665-00	C - 9	8ED-2191H-S0	F - 4		D - 2	8EK-23775-00	D - 8	8AC-2414B-01	F - 4	8M6-26391-01	E - 4
	G - 13	8EK-21912-00	C - 14	8EK-21972-00	C - 14	8EK-23788-00	C - 14	8CR-2418A-00	D - 13	8DF-28100-00	F - 7
8BU-17670-10	C - 9		D - 3		D - 3		D - 3	8CR-24301-00	D - 13	8EK-28100-00	F - 7
8BU-17670-20	C - 9	8EN-21916-00	D - 2	8CR-21973-00	C - 15	8EK-23803-00	D - 7	8CR-24311-10	D - 13	8OV-2835Y-90	F - 5
8CM-17675-00	C - 9	8EK-21917-00	C - 13		D - 4	8DF-23812-00	D - 10	8CR-24335-00	D - 13	8EK-2838N-00	F - 5
	G - 13		D - 2	8DN-21977-00	C - 13	8EG-23813-00	D - 10	8H0-24379-00	B - 9	8EK-2838R-00	F - 5
8CR-17681-10	C - 9	8EK-21918-00	C - 13		D - 2	8EN-23813-00	D - 10	8DF-24410-00	B - 11	8AC-4631K-00	E - 11
8DW-17682-00	G - 14		D - 2	8EK-21978-00	C - 15	8K1-23814-00	D - 10	89A-24452-00	C - 3	8DN-47110-01	E - 5
8DW-17682-10	E - 14	8ED-2192A-30	D - 4	8DN-2198F-00	C - 14	8EK-23815-00	D - 12	89A-24529-00	B - 15	8DY-47110-00	E - 5
	G - 14	8EK-21920-00	C - 13		D - 3	8EK-23815-10	D - 12	8H5-24560-00	D - 13	8EN-47110-00	E - 5
8DW-17682-20	E - 14		D - 2	8CR-2198G-01	C - 13	8EN-23815-00	D - 12	8CW-24610-00	D - 13	8EA-47113-00	E - 5
	G - 14	8EK-21921-00	C - 15		D - 3	8DM-2382E-10	D - 8	8CW-24612-00	D - 13	8EA-47115-30	E - 5
8DW-17682-30	E - 14		D - 4	8CR-2198J-00	C - 13	8EN-2382E-00	D - 8	8EK-2470F-20	D - 14	8CR-47310-10	E - 6
	G - 14	8EK-21923-00	C - 15		D - 2	8DM-2382F-10	D - 8	8EK-2470F-30	D - 14	8H8-47320-00	E - 6
8DW-17682-80	G - 14	8CR-21939-00	C - 13	8EN-21988-00	D - 2	8EN-2382F-00	D - 8	8EK-24710-20	D - 14	8CV-47331-01	E - 8
8DW-17682-90	G - 14		D - 2	8EN-21989-00	D - 2	8CR-23821-00	D - 10	8EK-24710-30	D - 14	8ED-47331-00	E - 8
8AV-17688-10	C - 9	8EN-2194H-00	D - 5	8DF-21998-10	C - 15	8EK-23823-00	D - 8	8CR-2516A-00	D - 8	8CR-47332-10	E - 9
8FB-17692-00	G - 9	8EK-2194J-00	C - 13		D - 4	8EK-23826-00	D - 11	8CR-25730-00	E - 2	8CH-47336-40	G - 5
82M-17699-00	E - 14		D - 2	4AA-22259-40	E - 10	8CR-23831-00	D - 10	8CR-25740-00	E - 2	8CH-47336-50	G - 5
8CW-1811A-00	G - 10	8EK-21940-19	C - 13		E - 9	8CS-23831-00	D - 10	8DF-2580T-01	D - 15	8CH-47336-60	G - 5
8CW-18112-01	G - 10		D - 2	4AA-22259-50	E - 10	8EK-23832-00	D - 8	8DN-2581T-00	D - 15	8CX-47336-00	G - 5
26H-18115-00	G - 11	8EK-21940-29	C - 13		E - 9	8EK-2384E-00	D - 8	8DF-2582F-00	D - 15	8CX-47336-10	G - 5
88T-18116-01	G - 11	8DF-21941-00	C - 14	4AA-22259-60	E - 10	8EN-2384E-00	D - 8	8DF-25828-00	D - 15	8CX-47336-20	G - 5
8CW-18152-01	G - 10		D - 3		E - 9	8EK-2384F-00	D - 8	55U-25854-00	D - 15	8CM-47341-00	E - 5
8CW-18153-00	G - 10	8CR-21943-01	C - 13	8ED-23442-00	D - 10	8EN-2384F-00	D - 8	8CR-25867-00	E - 2	8CR-47341-01	E - 6
8CW-18156-00	G - 11	8ED-21943-00	D - 2	8CR-23496-00	E - 3	J45-23845-00	G - 11	8ED-25872-00	E - 2	8CR-47341-11	E - 6
88T-18157-00	G - 11	8EN-21944-00	D - 2	8EK-23711-00	D - 6	8CR-23845-00	D - 10	8EN-25872-00	E - 2	8DF-47367-00	E - 12
8CW-18161-01	G - 10	8EK-21949-00	C - 14	8EN-23711-00	D - 6	8CR-23847-00	D - 10	3LC-25885-00	E - 2	8DM-4741B-00	E - 5
8CL-18174-00	G - 10		D - 3	8EK-23712-00	D - 6	87S-23847-00	D - 10	8CR-2589F-00	D - 15	8DY-47411-00	E - 5
8CW-18197-00	G - 9	8CR-2195E-00	C - 14	8FB-23712-00	D - 6	8CR-2385L-00	D - 9	8CR-2589H-00	E - 2	8EN-47411-00	E - 5
8CW-18198-00	G - 11		D - 3	8EK-23731-00	D - 6	8DF-2385L-00	D - 9	8CR-25919-00	D - 15	8DY-47412-00	E - 5
8CW-18511-00	G - 9	8EK-21950-08	C - 13	8EN-23731-00	D - 6	8EK-23851-00	D - 7	8CR-25924-00	D - 15	8EN-47412-00	E - 5
8EK-21415-00	C - 11	8EN-21950-09	D - 2	8CR-23741-10	D - 7	8EK-23852-00	D - 7	8CR-25926-00	D - 15	8CR-47415-00	E - 8
8EK-21416-00	C - 11	8DF-21951-00	C - 14	8CR-23743-10	D - 7	8DF-23857-00	D - 10	8EK-26110-10	D - 10	8ED-47415-00	E - 8
8DF-21417-01	C - 11		D - 3	8EK-23751-00	D - 6	8CR-2386E-00	D - 9	8EN-26110-10	D - 10	8CR-47416-10	E - 9
8DF-21418-00	C - 11	8CR-21953-00	C - 13	8EK-2376A-30	D - 7	8CS-2386E-00	D - 9	8DM-26240-00	E - 4	8EN-47416-00	E - 9
8EK-21425-00	C - 11	8EN-21954-00	D - 2	8EK-2376A-40	D - 7	8CR-2386G-00	D - 9	4SV-26280-00	G - 4	8CR-47417-01	E - 10

NUMERICAL INDEX

PART NO.	GRID NO.	PART NO.	GRID NO.	PART NO.	GRID NO.	PART NO.	GRID NO.	PART NO.	GRID NO.	PART NO.	GRID NO.
8ED-47417-01	E-10	8CR-47495-00	E-8	8EK-77132-00	F-2	8EK-77276-00	F-2	8CW-81812-00	G-8	8CR-82530-01	D-15
8EA-47418-00	E-9	8ED-47495-00	E-8	8EN-77132-00	F-2	8EK-77277-00	F-5	8L6-81813-50	G-8	8EK-82541-00	G-6
8ED-47418-00	E-9	8EK-47511-00	E-13	8EK-77133-00	F-2	8EK-77278-00	F-2	3GD-81826-00	G-8	8H8-82550-01	F-14
8DF-47419-00	E-5	8L8-47520-02	E-6	8EK-77140-00	F-3	8EK-77279-00	F-9	73A-81829-00	G-8	8H7-82552-01	F-14
8DF-47419-10	E-5	8BW-47526-00	E-13	8EN-77140-00	F-3	8CR-77311-10	F-7	73A-81829-50	G-8	8H8-82557-00	F-14
8CM-47421-40	E-5	8BF-47531-00	E-13	8EK-77141-20	F-4	8CR-77315-00	F-7	8CW-81832-00	G-8	8AU-82575-09	F-14
8EN-47421-00	E-5	8BW-47531-00	E-13	8EK-77141-30	F-4	8CR-77319-00	F-7	8CW-81833-00	G-8	526-82579-00	G-2
8CM-47422-10	E-5	8BW-47532-10	E-13	8EN-77143-01	D-4	83R-77327-00	F-7	8L6-81834-50	G-8	87S-82594-00	B-15
8ED-47422-00	E-5	8DP-47532-00	E-13	89A-77159-00	F-3	8CR-77338-00	F-7	8L6-81835-50	G-8	8EK-82590-10	F-15
8CR-47425-00	E-10	8CR-47541-01	E-14	8EK-77165-00	F-2	8EK-77351-10	F-4	8CW-81836-00	G-8	8EN-82590-00	G-2
8CR-47426-21	E-10	8CR-47543-01	E-14	8EK-77166-00	F-2	8EN-77351-00	F-4	8CW-81840-00	G-8	8DN-82720-00	F-14
8CR-47448-00	E-8	8CW-47543-02	G-9	8VO-77171-00	F-2	8EK-77352-10	F-4	4H7-81843-50	G-8	J51-82817-00	G-10
8ED-4745A-00	E-11	8CR-47546-00	E-14	8EN-77185-00	F-5	8EA-77371-30	D-9	4H7-81844-50	G-8	8DN-82970-00	F-14
8EK-4745A-00	E-11	8CR-47550-10	E-6	8EN-77186-00	F-5	8EA-77372-30	D-9	73A-81847-00	G-8	8CW-83383-00	G-11
8CR-4745B-00	E-11	8EK-47550-00	E-6	8EN-77198-00	F-5	8CR-77384-00	F-7	8L6-81847-50	G-8	8EK-83500-00	F-11
8EK-4745C-00	E-11	8EK-47550-10	E-6	8EK-77198-10	F-5	8EK-77511-00	F-8	8BB-8185A-00	G-8	8EK-83500-10	F-11
8DF-47456-10	E-8	8EK-47551-00	G-2	8EK-77210-00	F-5	8EK-77512-00	C-14	8CW-81850-00	G-8	8EN-83500-00	F-11
8CM-47457-00	E-5	8CR-47558-01	E-14	8FB-77210-00	F-5			4H7-81872-00	G-8	8EN-82590-10	F-11
8AX-47458-00	E-5	8CW-47564-00	G-10	8EK-77213-00	F-6	8EK-77541-00	F-8	4BH-81940-00	G-6	4XV-83513-00	F-11
8DF-47463-01	E-9	8CW-47571-00	G-10	8FB-77213-00	F-5	8EN-77541-00	F-8	8EK-81948-00	G-2	4WM-83517-00	F-11
8DF-47464-01	E-9	8DW-47587-00	E-15	8VO-7723A-10	F-5	8ED-77542-01	F-8	5DM-81950-00	G-2	4WM-83517-10	F-11
8CR-47465-00	E-8		G-14	8EK-7723B-10	F-5	8EK-77542-00	F-8	8DM-81950-00	G-2	8EK-8353E-00	F-11
8V0-47468-00	E-5	8DW-47587-70	G-14	8EK-77231-10	F-5	8ED-77543-01	F-8	8CY-81952-00	G-6	8EK-83572-00	F-11
8CR-47475-00	E-9	8DW-47587-80	E-15	8EK-77238-00	F-5	8EN-77563-00	F-8	5BN-81960-00	F-15	JT1-83614-00	G-7
8CY-47475-01	E-10		G-14	8EK-77261-00	C-15	8EN-77564-00	F-8	8EK-81965-00	G-2	85G-83663-00	F-14
8DM-47479-00	E-6	8DW-47587-90	G-14		D-4	8CR-77595-00	F-8	8EK-82105-00	G-6	8EN-83669-00	F-12
8CH-47480-40	E-10	8FB-47587-80	G-9	8EN-77261-00	F-2	8ED-77595-00	F-8	11K-82110-62	G-7	8EK-8368L-00	F-12
8CH-47480-50	E-10	8FB-47587-90	G-9	8EK-77262-00	C-15	8DM-77711-00	F-9	5K0-82110-N2	G-7	8EK-8368M-00	F-12
8CH-47480-60	E-10	8CW-47591-00	G-10		D-4	8DM-77741-00	F-9	8DY-82115-00	G-6	8EK-83755-00	G-2
8EN-47480-00	E-10	8CR-47612-00	E-14	8EK-77263-00	C-15	8DM-77742-00	F-9	8FB-8212X-00	G-6	8CR-83912-00	D-15
8EN-47480-10	E-10	8CR-47613-00	E-14		D-4	8ED-77761-00	F-4	8DM-82122-00	G-6	8DN-83912-00	D-15
8EN-47480-20	E-10	8CR-47631-01	C-9	8EK-77264-00	C-15	8ED-77761-20	F-4	8DM-82129-00	G-6	8CR-83922-00	E-3
8EK-47481-00	E-8	8EK-47715-00	E-13		D-4	8ED-77761-30	F-4	8DM-82131-10	G-6	84M-83928-00	F-14
8EK-47481-10	E-8	8EK-7711A-10	F-4	8EK-77265-00	C-15	8EK-77761-E0	F-4	1AE-82151-00	G-6	8EK-83950-00	E-2
8EK-47481-20	E-8	8FB-7711A-10	F-4		D-4	8EK-77761-J0	F-4	5JJ-82151-20	G-7	85G-83956-00	F-14
8EN-47481-00	E-8	8EK-7711B-10	F-4	8EK-77266-10	C-15	8EK-77761-S0	F-4	5JJ-82151-30	G-6	8AV-83963-00	F-14
8EN-47481-10	E-8	8FB-7711B-10	F-4		D-4	8FB-77761-E0	G-11	8EK-82170-00	G-6	8CR-8398X-00	E-2
8EN-47481-20	E-8	8FB-7711C-00	F-4	8EK-77267-00	C-15	8BD-77762-00	F-7	8CW-82176-00	G-6	8R6-8399F-00	F-14
82M-47485-02	E-10	8FB-7711D-00	F-4		D-4	8BD-77762-21	F-7	8DN-82309-00	C-3	8EK-8399N-00	F-12
	E-12	8EK-77111-01	F-2	8EK-77268-00	C-15	8BH-77762-00	D-4	8DF-82310-10	F-15	8EK-84310-00	F-12
	E-7	8EK-77111-10	F-2		D-4	86D-77762-00	F-7	8DF-82310-20	F-15	8G9-84314-00	F-12
8CR-47486-00	E-9	8EK-77118-00	F-2	8EK-77269-00	C-15	88X-77762-10	D-4	8DF-82310-30	F-15	8EK-84359-00	F-12
8CR-47488-00	E-9	8EK-7712E-00	F-2		D-4	8DM-77763-E0	G-11	8EK-82316-00	F-15	8EK-84397-00	F-12
8CX-47489-00	G-5	8EK-77125-00	F-2	8EK-77271-00	F-2	8EK-81410-00	F-10	89L-82318-00	F-14	4XV-84540-00	F-13
8CX-47489-10	G-5	8EK-77126-00	F-2	8EK-77272-00	F-7	8DN-81450-00	F-10	8CW-8235W-01	G-6	8DM-8471G-00	G-2
8DH-47489-00	G-5	8CR-77128-00	C-14	8EK-77273-00	F-2	8CW-81800-01	G-6	8DF-82370-00	F-15	137-84714-60	F-13
8CR-47494-01	E-11		D-3	8EK-77274-00	F-2		G-8	8EK-82509-00	F-15	3LK-8473A-00	F-13
8CX-47494-01	E-11	8EK-77131-00	F-2	8EK-77275-00	F-2	8CW-81811-00	G-8	8DM-82510-00	G-2	11H-85110-01	G-3

NUMERICAL INDEX

PART NO.	GRID NO.	PART NO.	GRID NO.	PART NO.	GRID NO.	PART NO.	GRID NO.	PART NO.	GRID NO.	PART NO.	GRID NO.
3Y6-85130-02	G - 3	90105-10751	E - 15	90201-05036	F - 11	90201-270U5	D - 15	90267-48018	D - 3	90387-0514T	G - 15
8EK-85540-00	F - 15	90105-10769	E - 8		G - 3	90201-272U2	B - 4		D - 4	90387-0514U	C - 7
8CR-85720-01	G - 2	90105-12010	D - 9	90201-06037	C - 9	90201-301G3	D - 7		F - 3		G - 15
8CW-85752-00	D - 13	90105-14766	C - 10	90201-06050	E - 3	90201-320S3	G - 9	90267-48057	C - 13		H - 2
8CC-85790-01	B - 2	90108-08002	D - 6	90201-06071	G - 11	90202-08204	C - 7		D - 2	90387-06033	F - 13
8DF-85820-00	F - 15	90109-063E8	B - 2	90201-06072	G - 4		G - 15	90267-48095	D - 12	90387-06036	F - 9
8DF-85829-00	F - 15	90109-06418	B - 2	90201-061H1	C - 9	90202-09227	C - 7	90267-48169	C - 15	90387-06043	E - 3
5FL-85885-00	C - 2	90109-06513	G - 6	90201-06380	F - 15		G - 15		D - 4	90387-0608T	G - 11
8DM-87283-00	G - 2	90109-083G2	C - 9	90201-06557	F - 2		H - 2		G - 2	90387-0611K	F - 9
8DM-87283-10	G - 2	90110-05227	B - 9	90201-06747	E - 8	90202-14226	E - 10	90267-48176	C - 13	90387-062M9	F - 2
8DM-87284-00	G - 2	90113-05053	C - 7	90201-06778	G - 9	90202-16229	E - 11		D - 2	90387-0624I	F - 2
90101-06288	E - 2	90113-06039	E - 13	90201-084H7	B - 2	90202-16231	E - 12	90267-48177	F - 7	90387-063G3	C - 12
90101-08774	E - 6	90113-06064	C - 9	90201-08403	E - 3	90208-22001	E - 14	90267-48194	E - 5		F - 15
90101-10357	E - 14		E - 13	90201-086A3	D - 14	90210-06001	B - 6	90267-48199	E - 5	90387-06605	G - 10
90101-10738	E - 11	90116-06031	B - 2	90201-086P8	D - 6	90210-06006	B - 2	90267-49004	D - 5	90387-06681	F - 3
	E - 9	90116-10411	B - 2		D - 9		B - 8	90267-50004	C - 15	90387-0714B	F - 15
90101-12780	D - 8	90116-10506	B - 2	90201-08759	D - 11		G - 10	90269-07080	C - 14	90387-08015	C - 14
90102-10044	D - 11	90119-06182	B - 11	90201-08784	D - 13	90210-08017	E - 15		D - 3		D - 4
90105-05644	C - 7	90119-08240	C - 6		D - 6	90249-06009	E - 2	90280-05033	B - 4	90387-081M9	E - 3
	G - 15	90149-06330	D - 13	90201-092U3	B - 3	90249-06012	E - 2	90281-07004	D - 15	90387-0811L	C - 6
	H - 2	90150-05040	C - 9	90201-100L3	E - 9	90249-12227	E - 14	90338-30256	C - 15	90387-083G6	E - 10
90105-060A6	D - 13		G - 13	90201-100S0	E - 6	90261-06015	G - 12		D - 4	90387-084R5	E - 2
	G - 10	90150-08008	G - 6	90201-100S2	E - 12	90261-06017	G - 12	90338-44019	D - 5	90387-087L3	D - 9
90105-06734	C - 9	90151-06010	E - 5	90201-100U1	E - 11	90261-06019	C - 8	90338-44093	C - 15	90387-090R0	D - 10
90105-08043	B - 2	90154-06062	C - 9	90201-101U2	E - 12		G - 12		D - 4	90387-100X3	E - 11
90105-08044	B - 2	90154-06077	F - 9	90201-10118	E - 2	90261-06028	G - 12	90380-08244	C - 7	90387-1007M	E - 11
90105-08094	E - 2	90154-06078	F - 2	90201-10126	E - 7	90261-06033	C - 7	90380-09245	C - 7	90387-1007N	E - 11
90105-081A7	C - 11	90167-05043	B - 11	90201-10136	E - 10		C - 8	90380-22232	E - 12	90387-10079	E - 6
90105-08345	D - 9	90167-05078	F - 12		E - 12		G - 12	90380-28235	E - 12	90387-1009K	D - 9
90105-08450	E - 9		F - 5	90201-103U4	E - 11	90261-06034	C - 8	90380-28237	C - 7	90387-1009S	E - 11
90105-100A7	G - 9	90167-05079	F - 5	90201-10321	C - 11		G - 12		H - 2	90387-1009T	E - 8
90105-100A9	D - 7	90170-06289	G - 11		E - 15	90267-47186	B - 8	90381-14101	E - 12	90387-1012H	D - 7
	D - 9	90170-10186	D - 10	90201-105A2	E - 12		C - 13		E - 9	90387-105G5	E - 11
90105-10030	D - 7	90170-16425	B - 5	90201-106F2	E - 11		D - 2	90381-14109	E - 12		E - 9
90105-103A1	E - 10	90170-22094	E - 14		E - 12		D - 9	90381-15112	E - 8	90387-1404R	E - 11
	E - 8	90176-06055	F - 2	90201-120T5	D - 8	90267-47187	C - 14	90381-17110	D - 9	90387-1407L	C - 10
	E - 9	90179-06264	F - 15	90201-121U3	D - 11		D - 3	90381-19111	E - 8	90387-145G7	E - 9
90105-10392	E - 5	90179-08655	C - 9	90201-127E1	E - 14		F - 8	90381-22099	E - 9	90387-20002	E - 7
90105-10433	E - 10	90179-10679	E - 14	90201-12790	B - 2	90267-47195	B - 8	90381-25115	D - 7	90387-20003	E - 7
	E - 7	90183-06053	F - 12	90201-141A3	C - 10		C - 15	90381-28108	E - 10	90387-2004V	E - 6
	E - 9		F - 5	90201-16245	G - 10		D - 2	90384-16251	D - 7	90387-2008G	G - 9
90105-10436	E - 11		F - 8	90201-205R6	E - 6	90267-47197	C - 13		E - 11	90387-2012C	E - 6
90105-105A0	E - 13	90183-06100	F - 12	90201-207J5	E - 9		C - 14	90384-38243	C - 9	90387-2012D	E - 6
90105-10617	C - 15	90185-10110	E - 9	90201-210U0	E - 8		D - 3	90384-41242	C - 7	90387-2012E	E - 6
	D - 4	90201-047R8	E - 5	90201-222F0	C - 10	90267-48014	E - 4		H - 2	90387-220X0	E - 4
90105-10634	D - 15	90201-05029	F - 5	90201-225A4	C - 10	90267-48016	C - 13	90385-12036	C - 6	90387-2508B	E - 15
90105-10712	D - 6	90201-05033	C - 14	90201-250T6	E - 10		D - 2	90386-12001	C - 6	90387-2508C	E - 15
90105-10739	E - 11		D - 3	90201-251G8	E - 10	90267-48018	C - 14	90387-0514T	C - 7	90387-2508D	E - 14

NUMERICAL INDEX

PART NO.	GRID NO.	PART NO.	GRID NO.	PART NO.	GRID NO.	PART NO.	GRID NO.	PART NO.	GRID NO.	PART NO.	GRID NO.
90387-2510A	E - 12	90467-28046	B - 8	90501-602L3	G - 12	92907-03100	B - 11	93317-41767	D - 11	95607-08200	E - 6
90387-2511J	E - 15	90468-02025	B - 9	90501-602L8	G - 13	92907-06100	F - 10	93317-41785	D - 11	95607-10100	E - 11
90401-10159	E - 2			90501-602L9	G - 13	92907-06200	G - 10	93390-00028	B - 4		E - 9
90430-06166	B - 6	90468-02078	B - 9	90501-603L2	C - 8	92907-06600	B - 11	93399-99943	C - 9	95607-10200	D - 6
90445-08008	B - 7							93410-27080	D - 15		D - 7
90445-094K7	B - 12	90468-04092	D - 13	90501-603L3	C - 8			93440-39175	G - 9		D - 9
90445-11730	B - 12	90468-06001	F - 2					93440-72049	B - 4		E - 12
90445-131H1	B - 9	90468-10050	G - 10	90501-624L8	G - 13			93450-21053	B - 4		E - 6
90446-08382	C - 5	90468-12006	D - 11	90506-14343	G - 10	92907-08600	C - 6	93604-08071	B - 2		E - 8
90450-35001	B - 8	90468-12007	G - 11	90506-20272	C - 4			93605-10108	C - 5	95607-12200	D - 11
90450-53061	B - 11	90480-01003	B - 7	90508-291B1	E - 2	92907-10100	G - 9	93606-20044	G - 9		D - 9
90460-15126	G - 2	90480-14023	F - 15	90508-291B2	E - 2	92907-10200	C - 15	93700-06004	D - 8	95607-14200	E - 6
90460-56073	B - 11	90480-14101	C - 12	90508-500B1	G - 13				E - 11	95617-08630	C - 9
90461-05003	C - 13	90480-18171	F - 13	90508-536A9	C - 9	92907-10600	E - 7	94702-00188	B - 2	9570M-08300	D - 6
		90480-18276	F - 13			92907-16100	C - 8	94709-00188	B - 2	95707-05300	E - 2
90461-06142	C - 13	90501-06022	G - 9	90508-556A2	C - 9			94890-09068	E - 15		G - 3
		90501-06028	B - 9			92907-16600	B - 5			95707-05500	G - 11
90461-10148	C - 14	90501-066J5	G - 9	90508-556A7	G - 13	93102-12461	B - 6				G - 3
		90501-080A0	B - 9	91A20-05115	D - 13	93102-35318	E - 14	94890-09070	E - 15	95707-06300	E - 8
90461-12001	C - 5	90501-083G4	B - 9	91A30-03006	B - 9	93102-35473	E - 14			95707-06500	B - 12
90462-05059	C - 14	90501-08430	C - 12	91A30-03008	B - 9	93103-32153	B - 4	95027-06008	G - 6		C - 4
				91A30-03010	B - 9	93103-34181	B - 4	95027-08016	F - 8		C - 6
90462-08016	G - 6			91A30-03012	B - 9	93109-14021	E - 10	95027-08030	G - 6		F - 15
90462-08237	B - 9	90501-08486	B - 12	91A30-05048	B - 9			95027-08080	G - 6		G - 7
90462-08239	B - 11			91A30-05085	C - 12	93109-15074	B - 3	95302-05700	B - 15	95707-08300	B - 9
90464-06253	B - 3			91A30-07010	B - 9	93210-06632	B - 3	95304-06600	G - 11		D - 10
90464-07005	G - 2	90501-085L6	B - 12	91314-08035	D - 7	93210-09165	B - 3	95307-06600	F - 13		D - 13
90464-12045	G - 2	90501-085L7	B - 12	91316-06022	E - 2	93210-12131	G - 9				D - 14
90464-13073	C - 12	90501-08668	D - 13	91317-05014	F - 10	93210-191A1	B - 9	95307-06700	E - 2		D - 6
		90501-120L7	B - 3	91317-05016	B - 3	93210-19123	B - 2	95307-08700	E - 2		G - 2
		90501-12002	B - 7	91317-06020	F - 15	93210-25071	E - 15	95307-10600	E - 14	95707-08500	C - 10
90464-13077	G - 2	90501-144L4	B - 7	91317-06040	F - 15	93210-41041	D - 13	95307-10700	D - 10		C - 14
90464-15195	F - 15	90501-326J6	G - 10	91401-20020	D - 7	93306-00004	B - 6	95314-14600	D - 8		D - 4
		90501-551L3	G - 12	91401-25020	D - 11	93306-00106	B - 6	95317-12600	D - 8		E - 2
		90501-551L9	G - 12	91401-30025	E - 6	93306-00444	E - 6	95604-08200	D - 7		E - 8
90464-30166	G - 2	90501-552L5	G - 13	91490-20015	E - 2	93306-20402	E - 14	95607-04100	G - 10	95707-10300	D - 11
90465-12011	F - 10	90501-581L5	G - 12	91609-30010	B - 4	93306-20468	G - 9	95607-05200	C - 7		E - 7
90467-07055	B - 9	90501-581L6	G - 12			93306-20589	E - 13			95707-10500	B - 2
90467-08092	G - 6	90501-582L1	G - 12	91609-40022	G - 10	93306-20592	E - 14				C - 11
90467-09001	D - 13	90501-582L2	G - 12	91609-50022	G - 9	93306-20722	B - 4	95607-06100	F - 3		C - 15
90467-09026	B - 12	90501-582L6	G - 13	91609-50032	C - 7	93306-20723	B - 4	95607-06200	F - 15		D - 10
		90501-582L7	G - 13			93310-32009	B - 4				D - 4
90467-10035	C - 2	90501-583L0	G - 13	91701-06022	G - 11	93310-5270A	B - 4			95807-06012	B - 7
90467-11032	B - 10	90501-583L1	G - 13	91701-06035	G - 10	93315-21227	E - 14			95807-06016	F - 12
		90501-583L4	G - 12	92017-06014	E - 3	93315-21454	E - 10	95607-08200	C - 14		F - 3
		90501-583L5	G - 12	92017-08012	C - 6	93315-21455	E - 11				F - 8
		90501-601L7	G - 12	92017-08020	E - 3	93317-21578	G - 9			95807-06020	F - 15
90467-11090	B - 3	90501-601L8	G - 12	92902-08100	C - 6	93317-33179	G - 9			95807-08020	C - 14

NUMERICAL INDEX

PART NO.	GRID NO.	PART NO.	GRID NO.	PART NO.	GRID NO.	PART NO.	GRID NO.	PART NO.	GRID NO.
95807-08020	D - 3	97707-30614	F - 14						
95807-08025	B - 6	97707-50012	F - 5						
95807-08035	C - 14	97707-50016	F - 11						
	D - 3	98501-04014	B - 15						
95814-06025	B - 6	98502-04010	B - 15						
95817-06016	B - 8	98502-05012	C - 2						
95817-06020	B - 6	98507-03006	B - 11						
95817-06025	G - 11	98507-05010	F - 15						
95817-06035	G - 10	98507-06008	B - 8						
95817-08020	E - 9	98507-06012	C - 5						
95817-08080	C - 5	98507-06014	G - 7						
95817-10025	E - 8	98507-06030	F - 10						
95817-10085	E - 6	98702-04014	C - 2						
95827-06012	B - 6	98702-05008	C - 2						
95827-06014	C - 6	98706-04012	D - 15						
95827-06016	D - 12	98907-04016	G - 10						
95827-06025	C - 12	98907-05008	D - 13						
	G - 10	98907-06012	F - 9						
95827-06040	G - 11	98907-06014	F - 5						
95827-08016	D - 12	98907-06020	F - 5						
	D - 2	98907-06025	F - 15						
	F - 8	99001-04600	F - 14						
95827-08030	E - 14	99001-06600	B - 3						
95827-08040	C - 5	99009-12400	E - 14						
95827-08220	E - 10		G - 10						
95827-10025	C - 11	99009-20400	E - 6						
95827-10060	E - 14	99009-25400	D - 8						
95827-10065	C - 15		E - 6						
	D - 4	99009-28500	B - 6						
97007-05020	G - 11	99009-42500	E - 6						
97007-06010	G - 2	99009-52500	E - 14						
97007-06025	E - 8	99530-10114	B - 2						
97007-06030	F - 15	99530-12016	C - 5						
97007-08014	E - 15	99530-14016	B - 2						
97017-06025	B - 11								
97017-06030	C - 7								
	G - 15								
9702M-08055	D - 6								
9702M-08100	D - 6								
97027-06020	B - 7								
97027-08035	C - 6								
97027-08055	D - 10								
	D - 6								
97027-08100	D - 6								
97027-10025	E - 11								
97602-04116	C - 2								
97602-05110	C - 2								
97605-04110	C - 2								

CONTENTS

ENGINE

CYLINDER HEAD	B2
CRANKSHAFT. PISTON	B4
WATER PUMP	B6
RADIATOR. HOSE	B7
OIL PUMP	B9
INTAKE	B11
CARBURETOR	B13
EXHAUST	C4
CRANKCASE	C5
STARTER	C6

DRIVE

PRIMARY SHEAVE	C7
SECONDARY SHEAVE	C9

BODY

ENGINE BRACKET	C11
OIL TANK	C12
FRAME	C13
FRAME 2	D2
SKI	D6
STEERING	D10
STEERING GATE	D12
FUEL TANK	D13
SEAT	D14
BRAKE	D15
CONTROL CABLE	E4
TRACK SUSPENSION 1	E5
TRACK SUSPENSION 2	E8
TRACK DRIVE 1	E13
TRACK DRIVE 2	E14
SHROUD	F2
EMBLEM	F4

WINDSHIELD	F5
GUARD. LUGGAGE BOX	F7
BUMPER	F8
INSTRUMENT PANEL	F9

ELECTRICAL

GENERATOR	F10
METER	F11
HEADLIGHT	F12
TAILLIGHT	F13
HANDLE SWITCH. LEVER	F14
ELECTRICAL 1	F15
ELECTRICAL 2	G3
ALTERNATE (BODY/RIG)	G4
ALTERNATE (REAR SUSPENSION)	G5
ALTERNATE (ELECTRICAL)	G6
ALTERNATE (ELECTRICAL)	G8
ALTERNATE (DRIVE)	G9
ALTERNATE (DRIVE SETTING 1)	G12
ALTERNATE (DRIVE SETTING 2)	G14
ALTERNATE (DRIVE)	G15
ALTERNATE (DRIVE)	H2

INDEX

NUMERICAL INDEX	M1
-----------------------	----